

SCALE 1 : 10


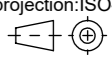
1000

106  
129  
(23)  
123

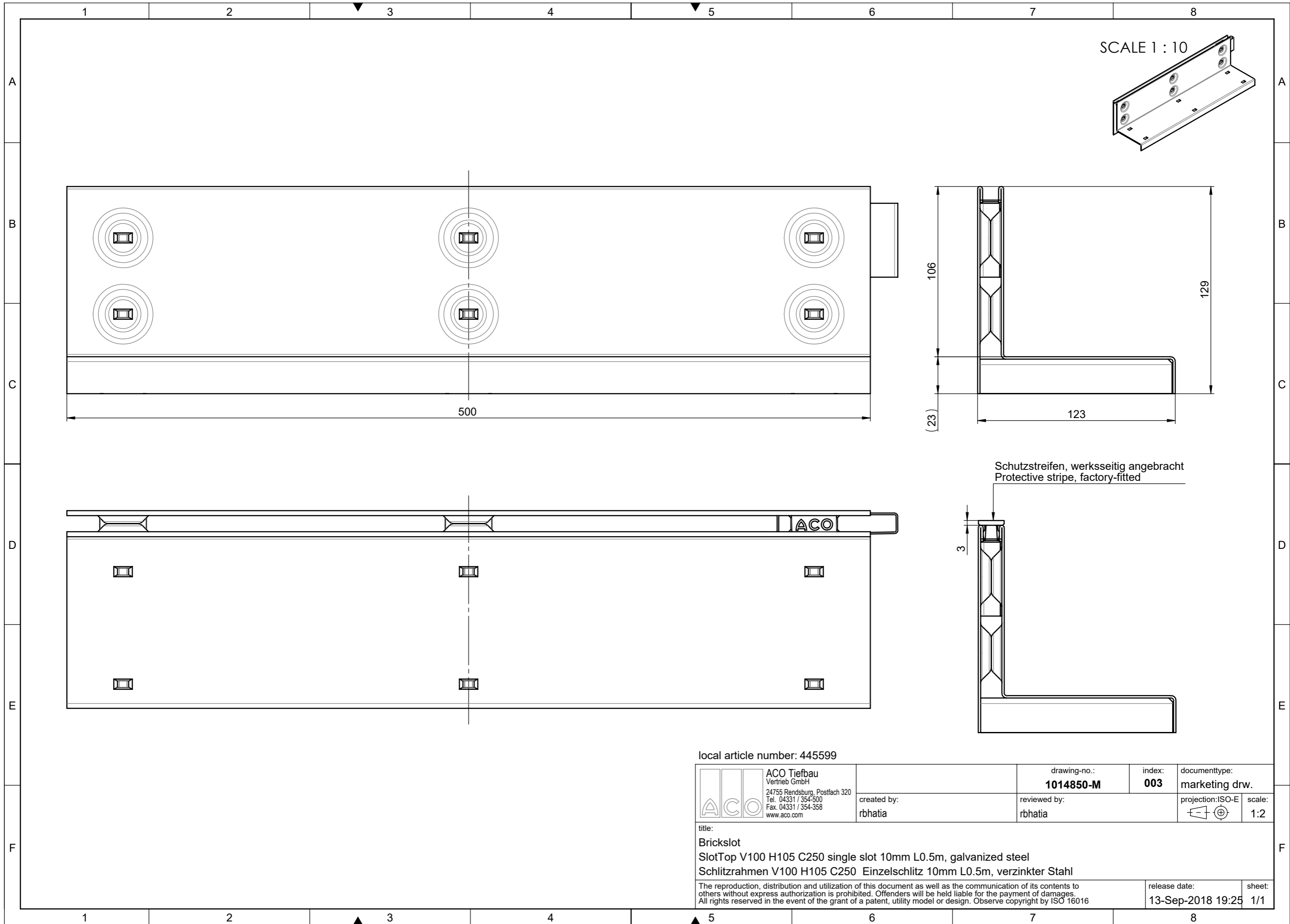
Schutzstreifen, werksseitig angebracht  
Protective stripe, factory-fitted

3

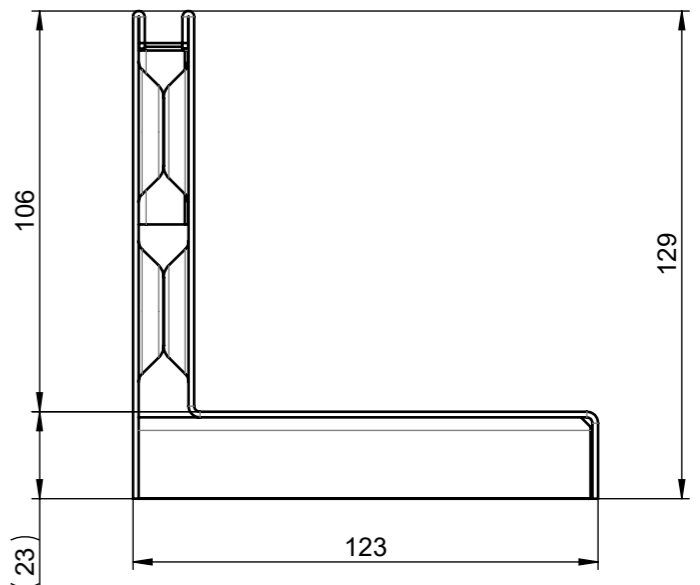
local article number: 445598

 ACO Tiefbau Vertrieb GmbH 24755 Rendsburg, Postfach 320 Tel. 04331 / 354-500 Fax. 04331 / 354-358 www.aco.com	drawing-no.: <b>1014851-M</b>	index: <b>003</b>	documenttype: <b>marketing drw.</b>
	created by: rbhatia	reviewed by: rbhatia	projection: ISO-E 
title: <b>Brickslot</b> <b>SlotTop V100 H105 C250 single slot 10mm L1m, galvanized steel</b> <b>Schlitzzahmen V100 H105 C250 Einzelschlitzz 10mm L1m, verzinkter Stahl</b>			release date: <b>13-Sep-2018 19:25</b>
<small>The reproduction, distribution and utilization of this document as well as the communication of its contents to others without express authorization is prohibited. Offenders will be held liable for the payment of damages. All rights reserved in the event of the grant of a patent, utility model or design. Observe copyright by ISO 16016</small>			sheet: <b>1/1</b>

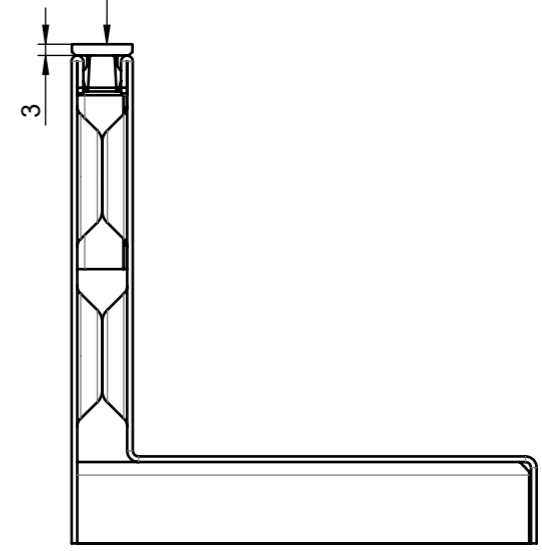
S:\projekte\2018\13-09-2018\ACO-Tiefbau-Vertrieb-GmbH-Versand-1.6



SCALE 1 : 10

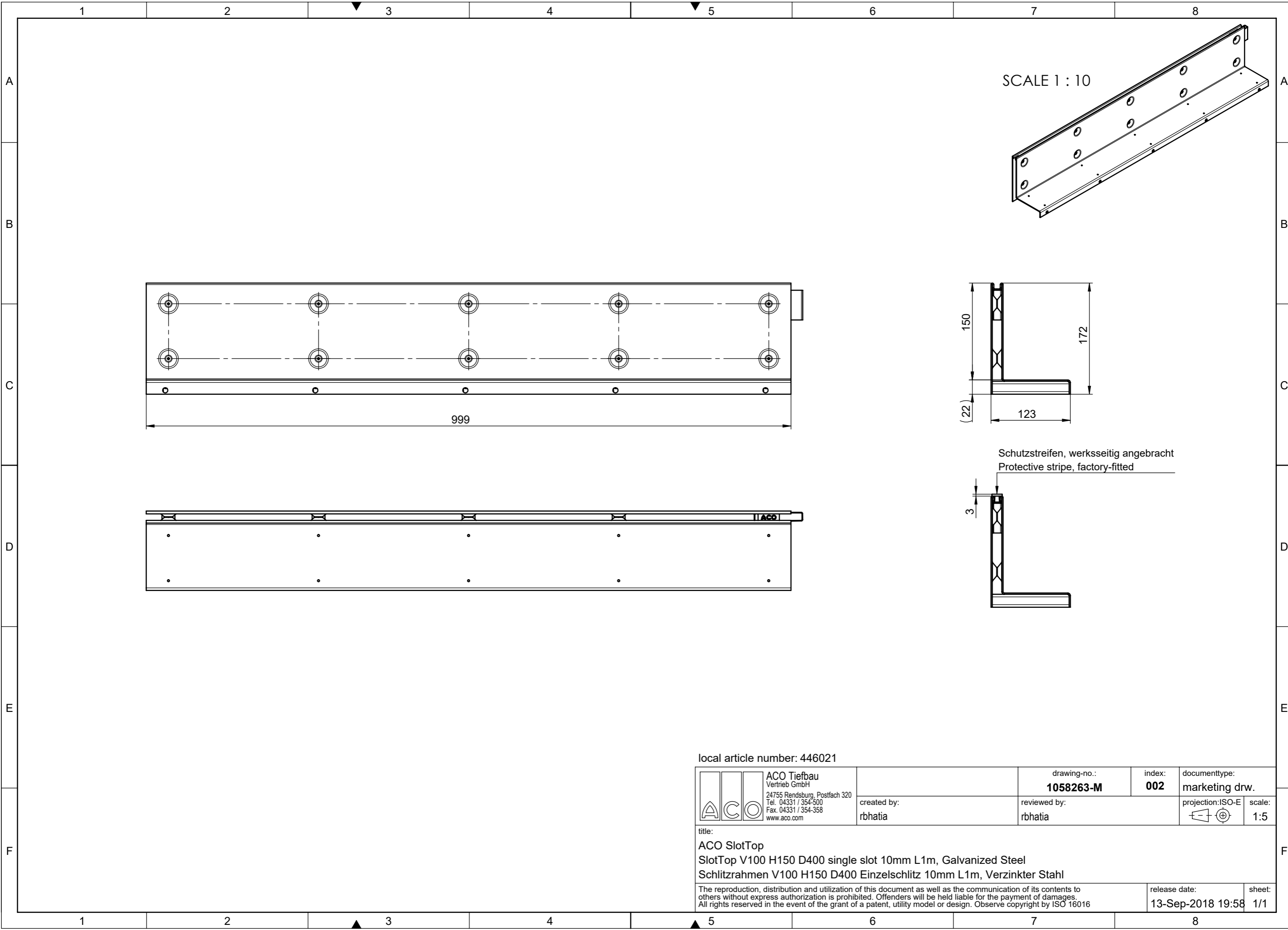


Schutzstreifen, werksseitig angebracht  
Protective stripe, factory-fitted



local article number: 445599

 ACO Tiefbau Vertrieb GmbH 24755 Rendsburg, Postfach 320 Tel. 04331 / 354-500 Fax. 04331 / 354-358 www.aco.com	drawing-no.: <b>1014850-M</b>	index: <b>003</b>	documenttype: <b>marketing drw.</b>
	created by: rbhatia	reviewed by: rbhatia	projection: ISO-E 
title: <b>Brickslot</b> <b>SlotTop V100 H105 C250 single slot 10mm L0.5m, galvanized steel</b> <b>Schlitzrahmen V100 H105 C250 Einzelschlitz 10mm L0.5m, verzinkter Stahl</b>			release date: <b>13-Sep-2018 19:25</b>
The reproduction, distribution and utilization of this document as well as the communication of its contents to others without express authorization is prohibited. Offenders will be held liable for the payment of damages. All rights reserved in the event of the grant of a patent, utility model or design. Observe copyright by ISO 16016			sheet: <b>1/1</b>



SCALE 1 : 10

999

150  
172  
123  
(22)

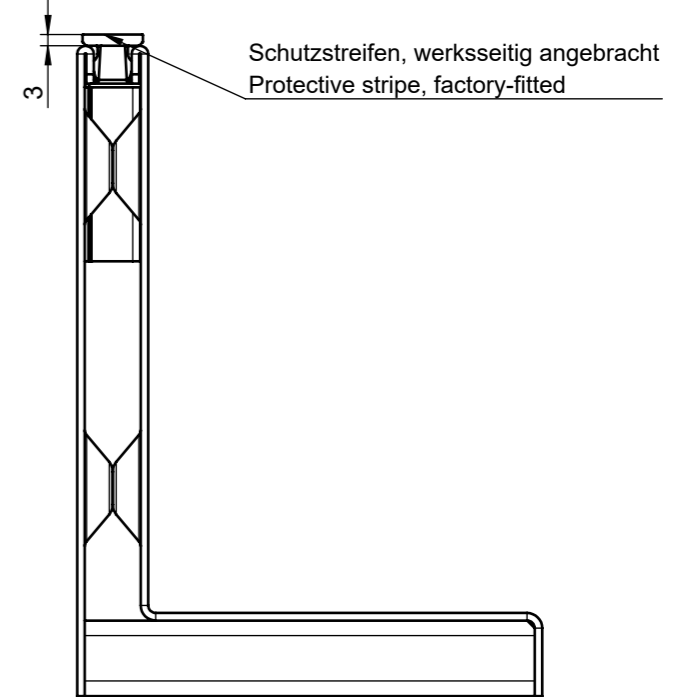
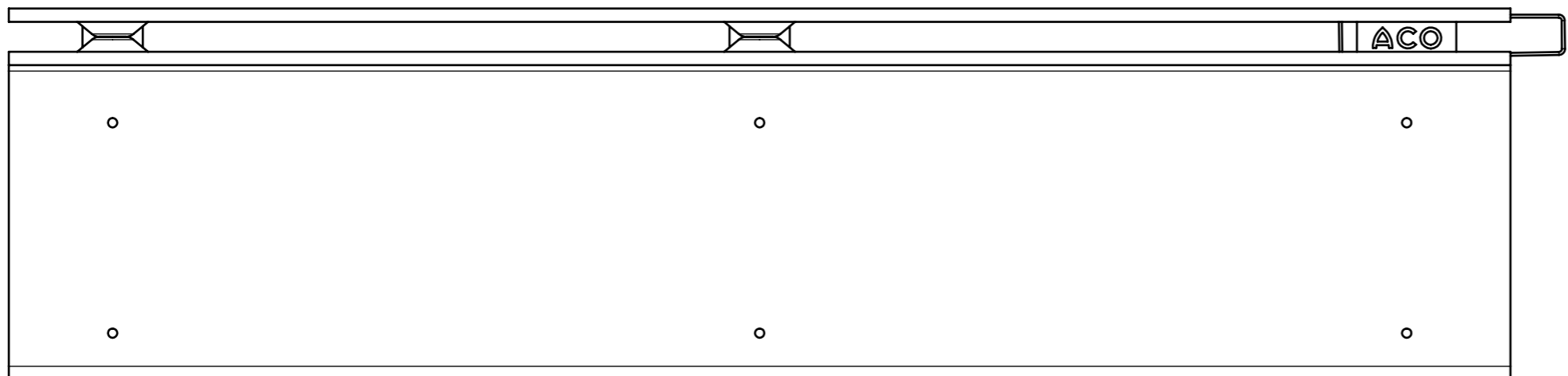
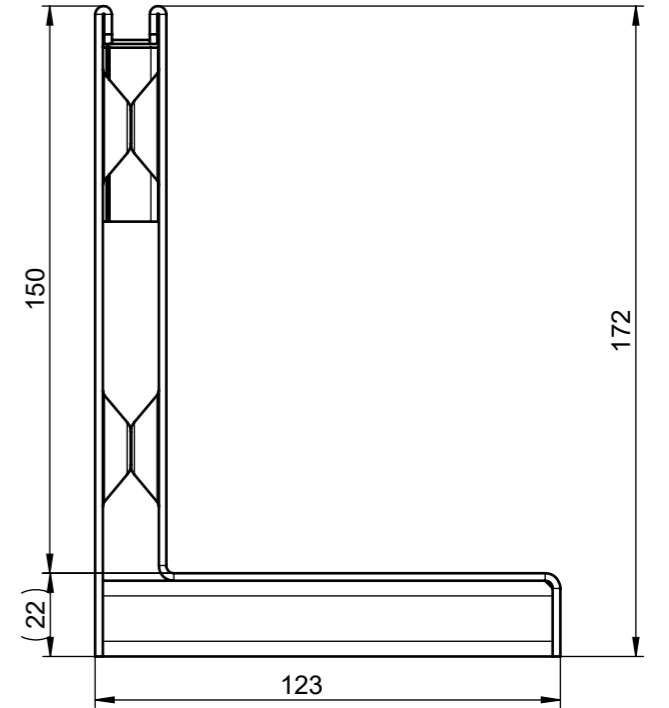
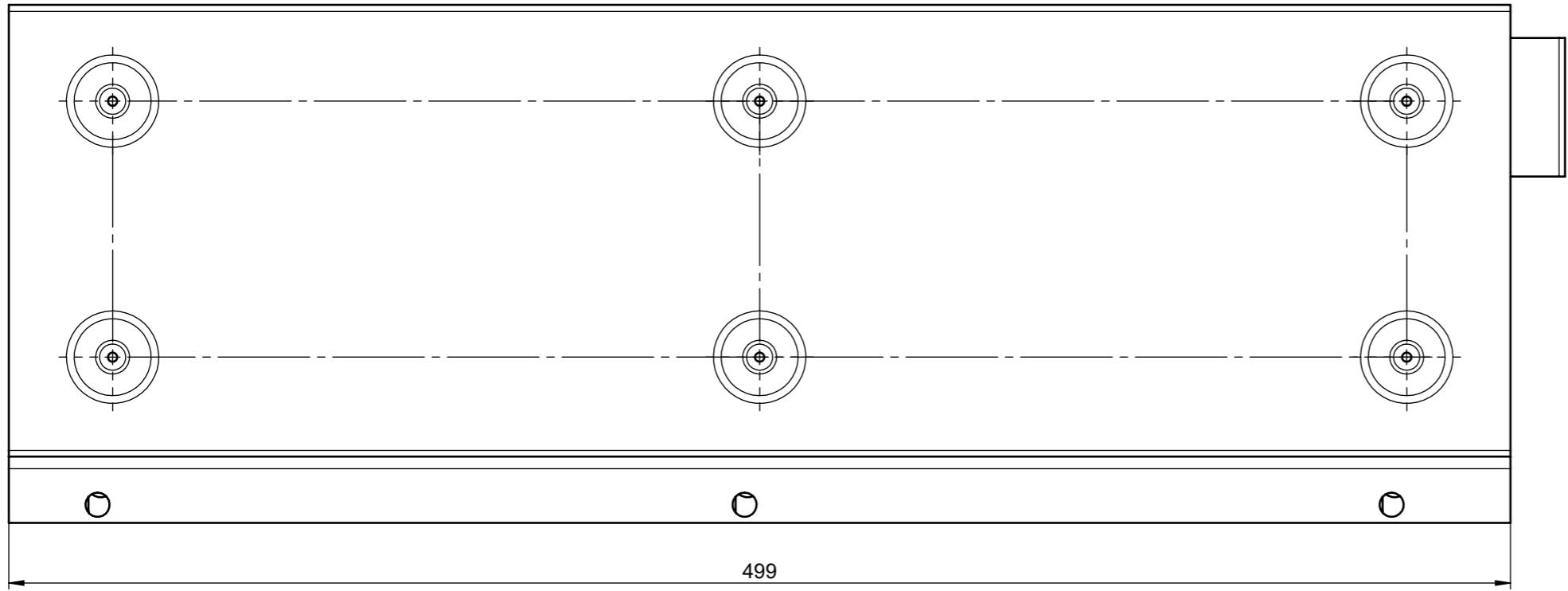
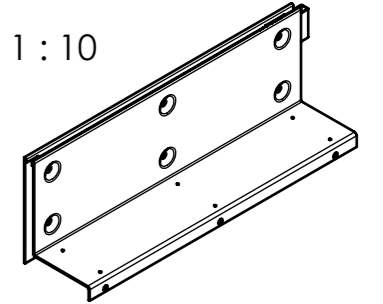
Schutzstreifen, werksseitig angebracht  
Protective stripe, factory-fitted

3

local article number: 446021

 ACO Tiefbau Vertrieb GmbH 24755 Rendsburg, Postfach 320 Tel. 04331 / 354-500 Fax. 04331 / 354-358 www.aco.com	drawing-no.: <b>1058263-M</b>	index: <b>002</b>	documenttype: <b>marketing drw.</b>
	created by: rbhatia	reviewed by: rbhatia	projection: ISO-E 
title: <b>ACO SlotTop</b> <b>SlotTop V100 H150 D400 single slot 10mm L1m, Galvanized Steel</b> <b>Schlitzrahmen V100 H150 D400 Einzelschlit 10mm L1m, Verzinkter Stahl</b>			release date: 13-Sep-2018 19:58
<small>The reproduction, distribution and utilization of this document as well as the communication of its contents to others without express authorization is prohibited. Offenders will be held liable for the payment of damages. All rights reserved in the event of the grant of a patent, utility model or design. Observe copyright by ISO 16016</small>			sheet: 1/1

SCALE 1 : 10



local article number: 446022

**ACO** Tiefbau  
Vertrieb GmbH  
24755 Rendsburg, Postfach 320  
Tel. 04331 / 354-500  
Fax. 04331 / 354-358  
www.aco.com

created by:  
rbhatia

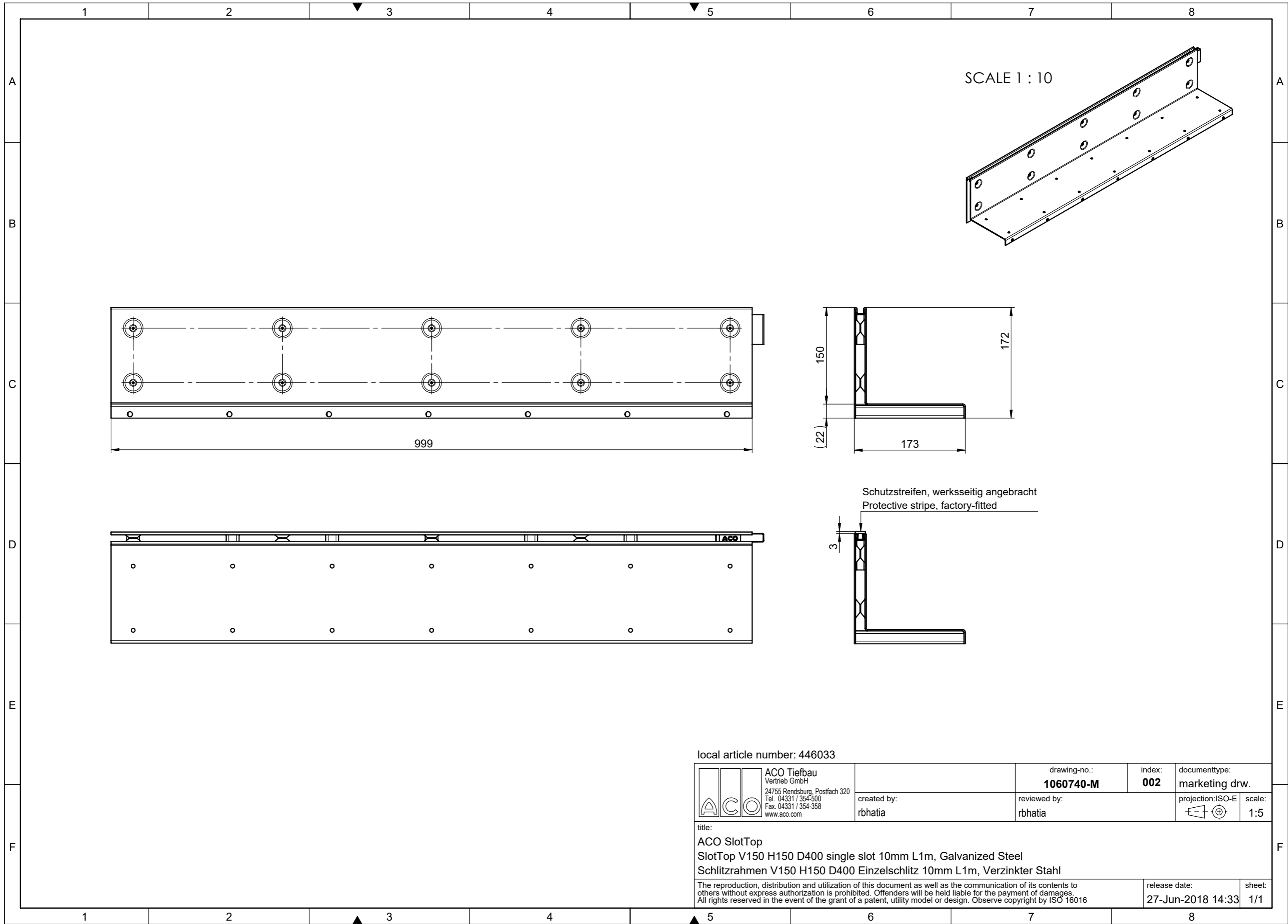
drawing-no.:  
**1058261-M**

index:  
**002**  
documenttype:  
marketing drw.  
projection: ISO-E  
scale:  
1:2

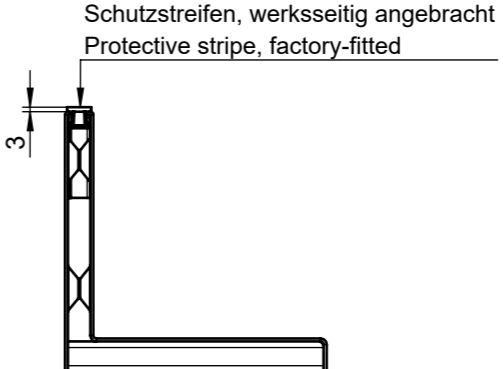
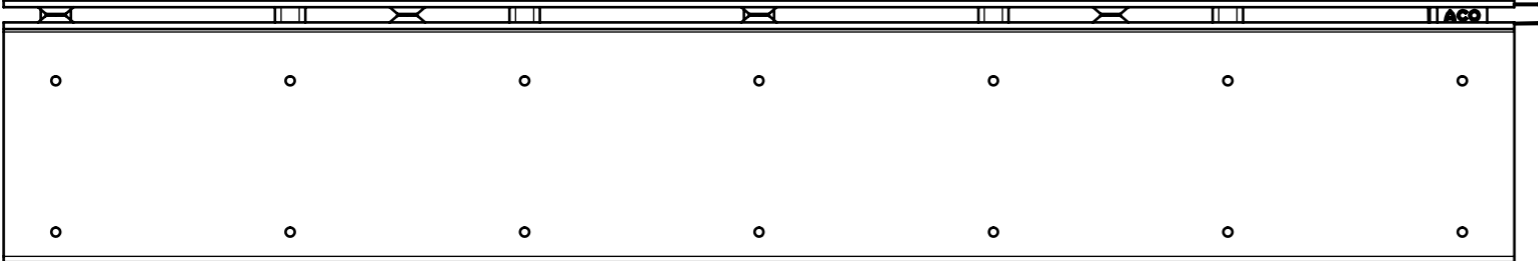
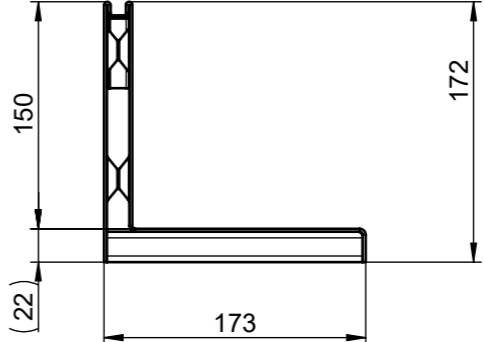
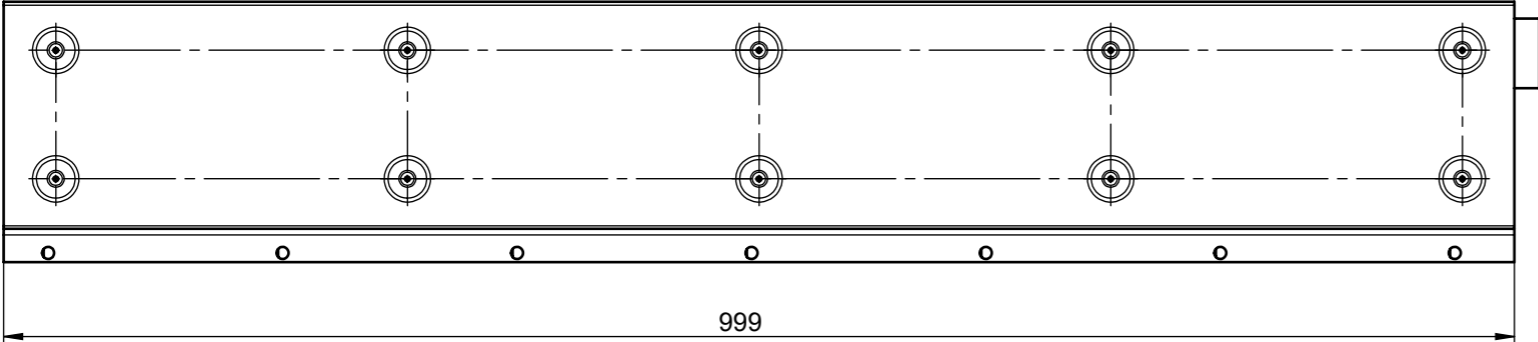
title:  
**ACO SlotTop**  
SlotTop V100 H150 D400 single slot 10mm L0.5m, Galvanized Steel  
Schlitzrahmen V100 H150 D400 Einzelschlitze 10mm L0.5m, Verzinkter Stahl

The reproduction, distribution and utilization of this document as well as the communication of its contents to others without express authorization is prohibited. Offenders will be held liable for the payment of damages. All rights reserved in the event of the grant of a patent, utility model or design. Observe copyright by ISO 16016

release date:  
**13-Sep-2018 19:58**  
sheet:  
**1/1**

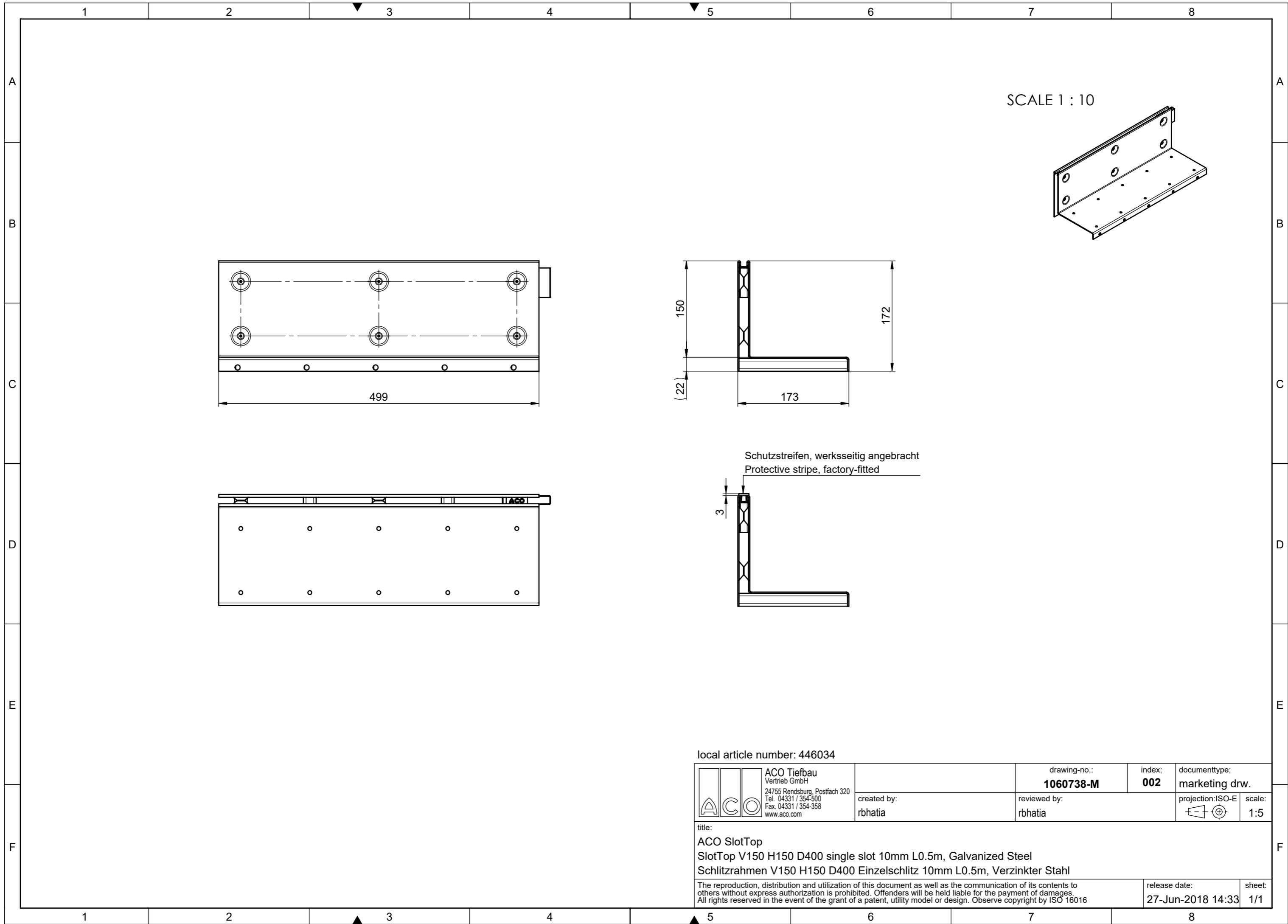


SCALE 1 : 10

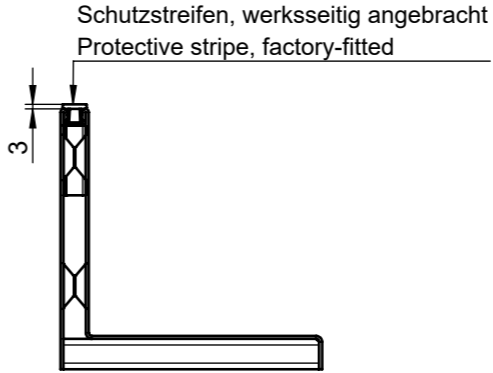
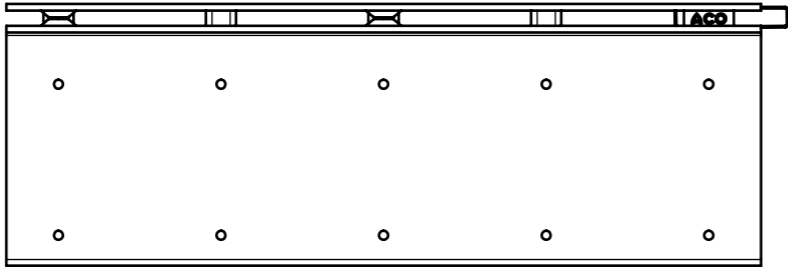
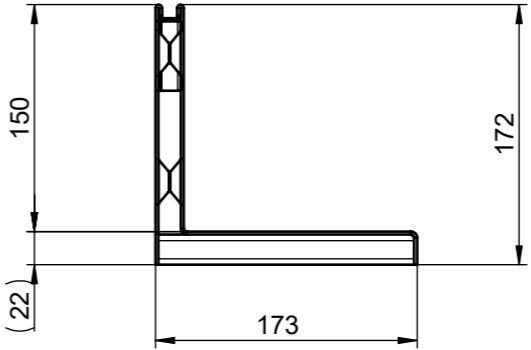
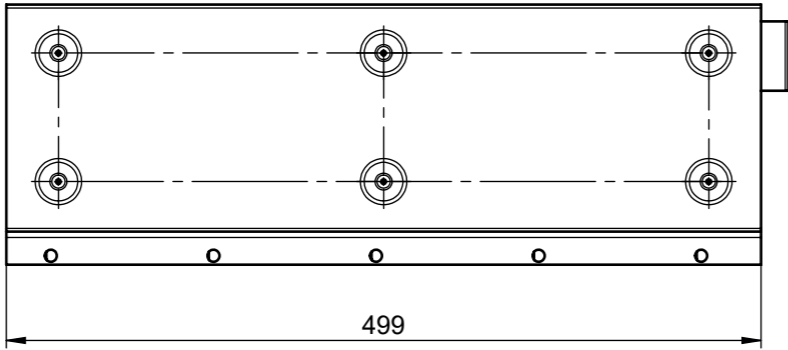


local article number: 446033

	ACO Tiefbau Vertrieb GmbH 24755 Rendsburg, Postfach 320 Tel. 04331 / 354-500 Fax. 04331 / 354-358 www.aco.com	drawing-no.: <b>1060740-M</b>	index: <b>002</b>	documenttype: <b>marketing drw.</b>
	created by: rbhatia	reviewed by: rbhatia	projection: ISO-E 	scale: <b>1:5</b>
title: <b>ACO SlotTop</b> <b>SlotTop V150 H150 D400 single slot 10mm L1m, Galvanized Steel</b> <b>Schlitzrahmen V150 H150 D400 Einzelschlit 10mm L1m, Verzinkter Stahl</b>			release date: <b>27-Jun-2018 14:33</b>	sheet: <b>1/1</b>
<small>The reproduction, distribution and utilization of this document as well as the communication of its contents to others without express authorization is prohibited. Offenders will be held liable for the payment of damages. All rights reserved in the event of the grant of a patent, utility model or design. Observe copyright by ISO 16016</small>				



SCALE 1 : 10



local article number: 446034

**ACO**  
ACO Tiefbau  
Vertrieb GmbH  
24755 Rendsburg, Postfach 320  
Tel. 04331 / 354-500  
Fax. 04331 / 354-358  
www.aco.com

created by:  
rbhatia

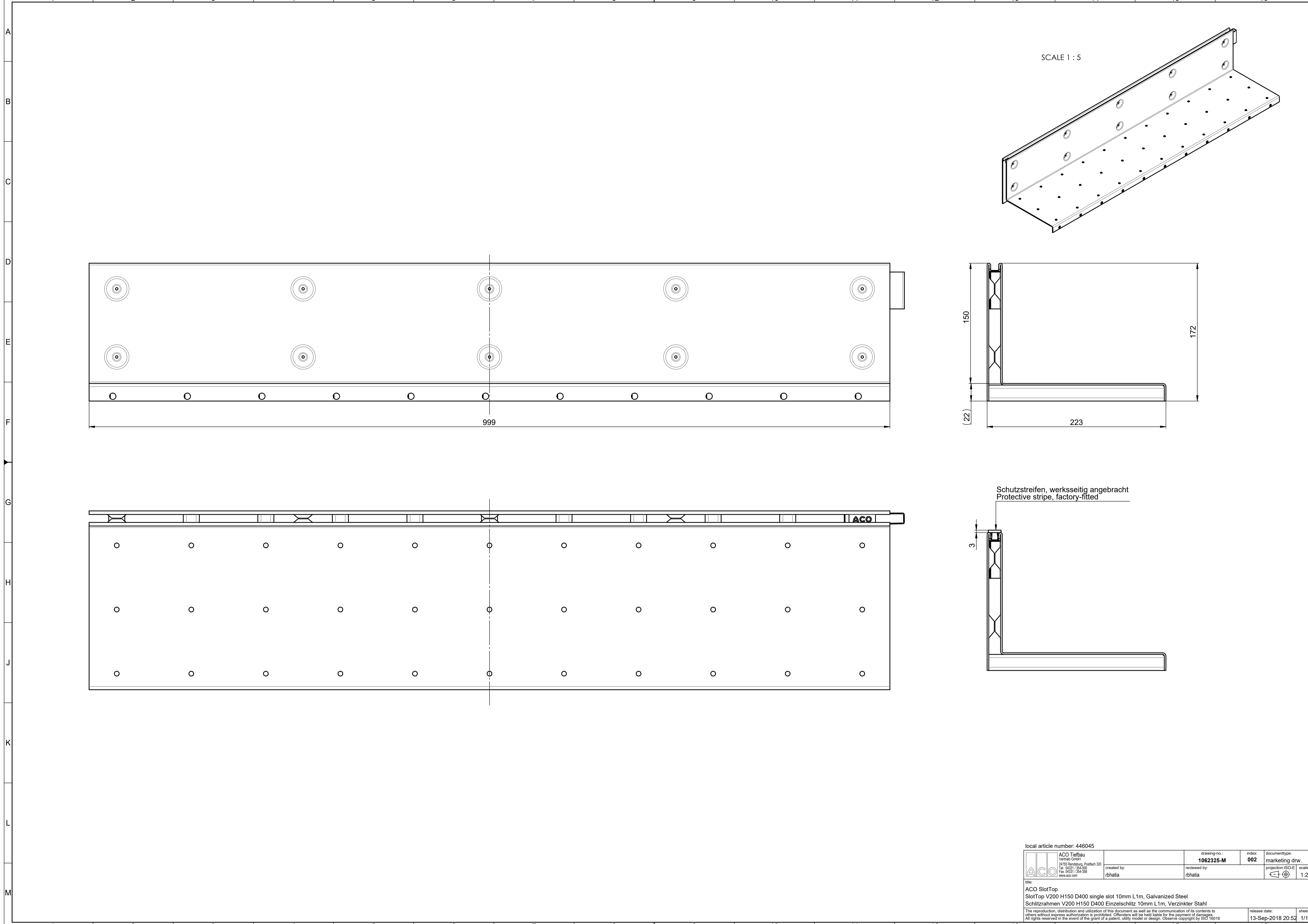
drawing-no.:  
**1060738-M**  
reviewed by:  
rbhatia

index:  
**002**  
documenttype:  
marketing drw.  
projection: ISO-E  
scale:  
1:5

title:  
**ACO SlotTop**  
**SlotTop V150 H150 D400 single slot 10mm L0.5m, Galvanized Steel**  
**Schlitzrahmen V150 H150 D400 Einzelschlit 10mm L0.5m, Verzinkter Stahl**

The reproduction, distribution and utilization of this document as well as the communication of its contents to others without express authorization is prohibited. Offenders will be held liable for the payment of damages. All rights reserved in the event of the grant of a patent, utility model or design. Observe copyright by ISO 16016

release date:  
**27-Jun-2018 14:33**  
sheet:  
**1/1**



SCALE 1 : 5


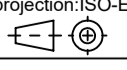
999

150  
172  
(22)  
223

Schutzstreifen, werksseitig angebracht  
Protective stripe, factory-fitted

3

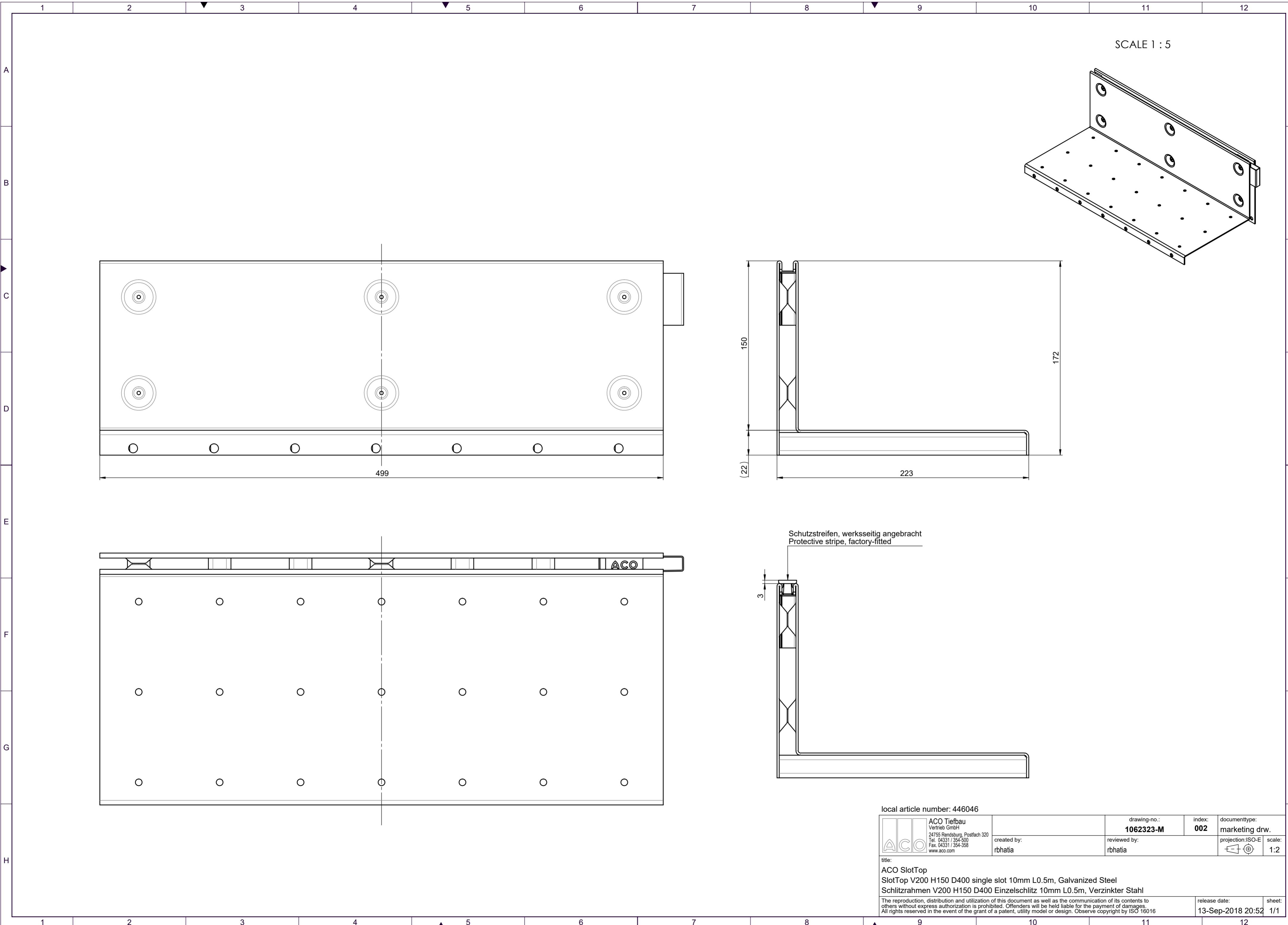
local article number: 446045

 ACO Tiefbau Vertrieb GmbH 24755 Rendsburg, Postfach 300 Tel. 04331 354-500 Fax. 04331 354-388 www.aco.com	drawing-no.: <b>1062325-M</b>	index: <b>002</b>	documenttype: marketing drw.
	created by: rbhätia	reviewed by: rbhätia	projection: ISO-E 

title:  
 ACO SlotTop  
 SlotTop V200 H150 D400 single slot 10mm L1m, Galvanized Steel  
 Schlitzrahmen V200 H150 D400 Einzelschlit 10mm L1m, Verzinkter Stahl

The reproduction, distribution and utilization of this document as well as the communication of its contents to others without express authorization is prohibited. Offenders will be held liable for the payment of damages. All rights reserved in the event of the grant of a patent, utility model or design. Observe copyright by ISO 15016

release date: 13-Sep-2018 20:54 sheet: 1/1



SCALE 1 : 5

499

150

172


(22)

223

Schutzstreifen, werksseitig angebracht  
Protective stripe, factory-fitted

3

local article number: 446046

	ACO Tiefbau Vertrieb GmbH 24755 Rendsburg, Postfach 320 Tel. 04331 / 354-500 Fax. 04331 / 354-358 www.aco.com	drawing-no.: <b>1062323-M</b>	index: <b>002</b>	documenttype: <b>marketing drw.</b>
	created by: rbhatia	reviewed by: rbhatia	projection: ISO-E	scale: <b>1:2</b>

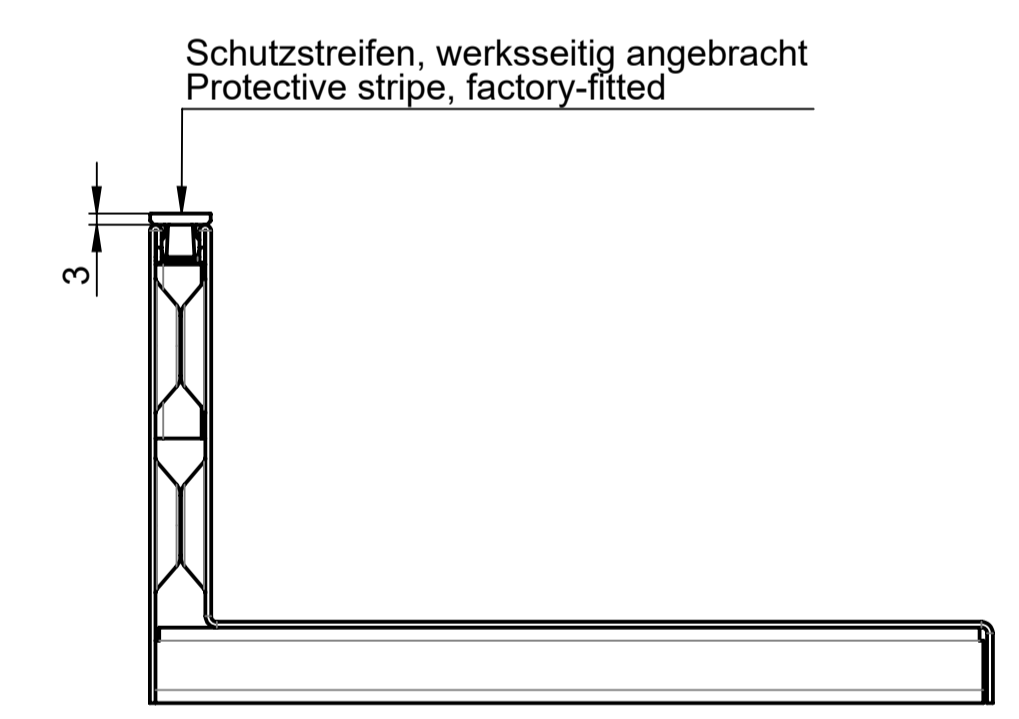
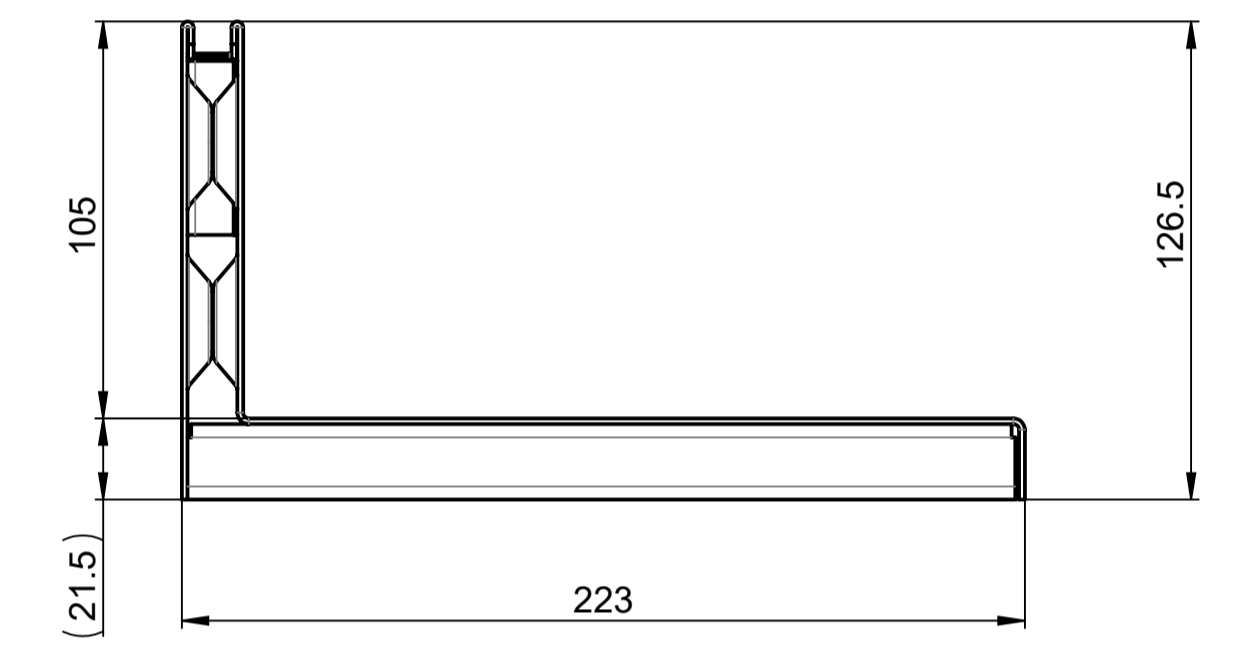
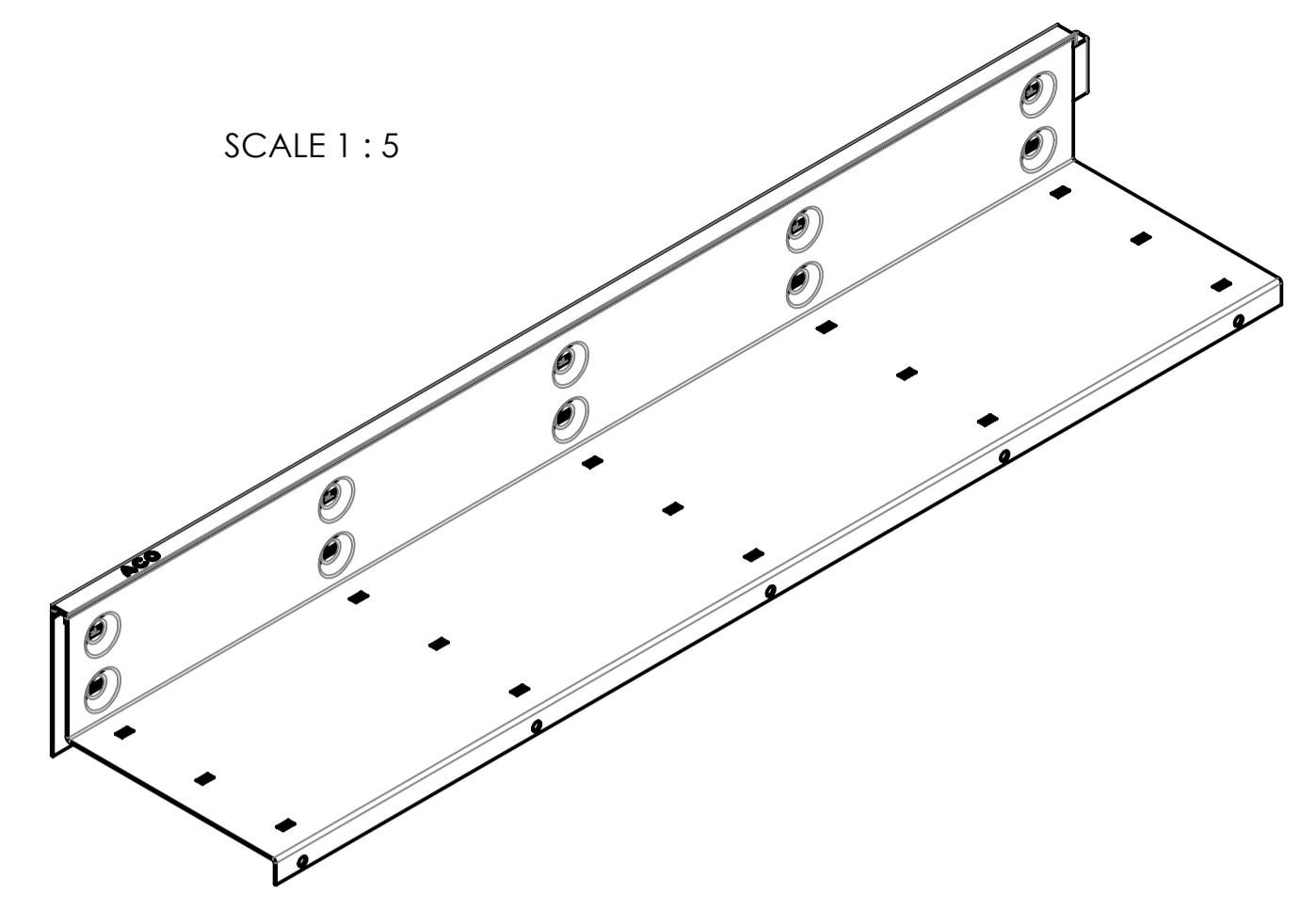
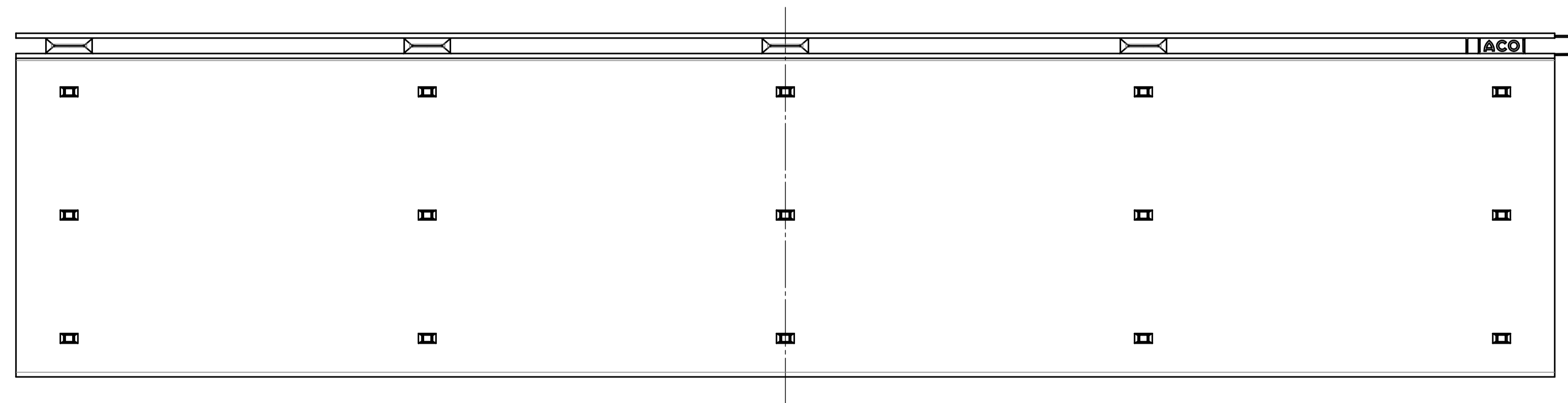
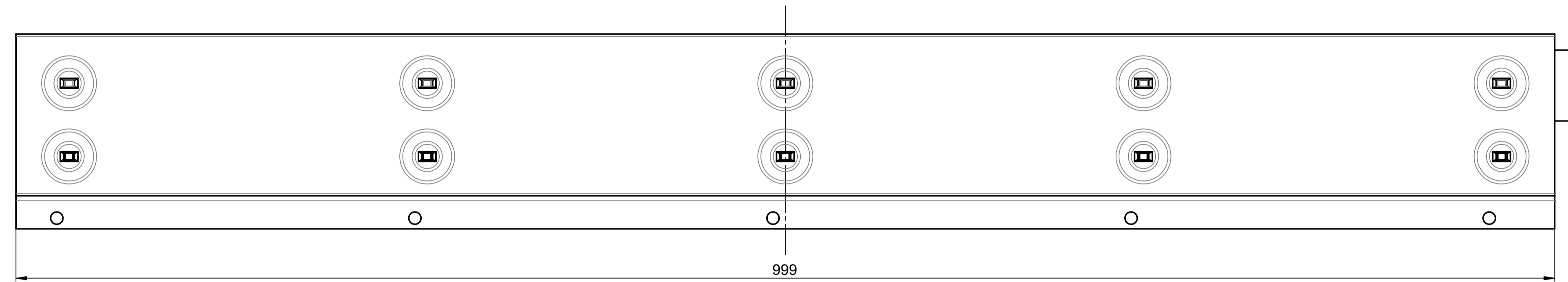
title:  
**ACO SlotTop**  
**SlotTop V200 H150 D400 single slot 10mm L0.5m, Galvanized Steel**  
**Schlitzrahmen V200 H150 D400 Einzelschlit 10mm L0.5m, Verzinkter Stahl**

The reproduction, distribution and utilization of this document as well as the communication of its contents to others without express authorization is prohibited. Offenders will be held liable for the payment of damages. All rights reserved in the event of the grant of a patent, utility model or design. Observe copyright by ISO 16016


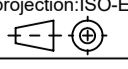
release date:  
**13-Sep-2018 20:52**

sheet:  
**1/1**



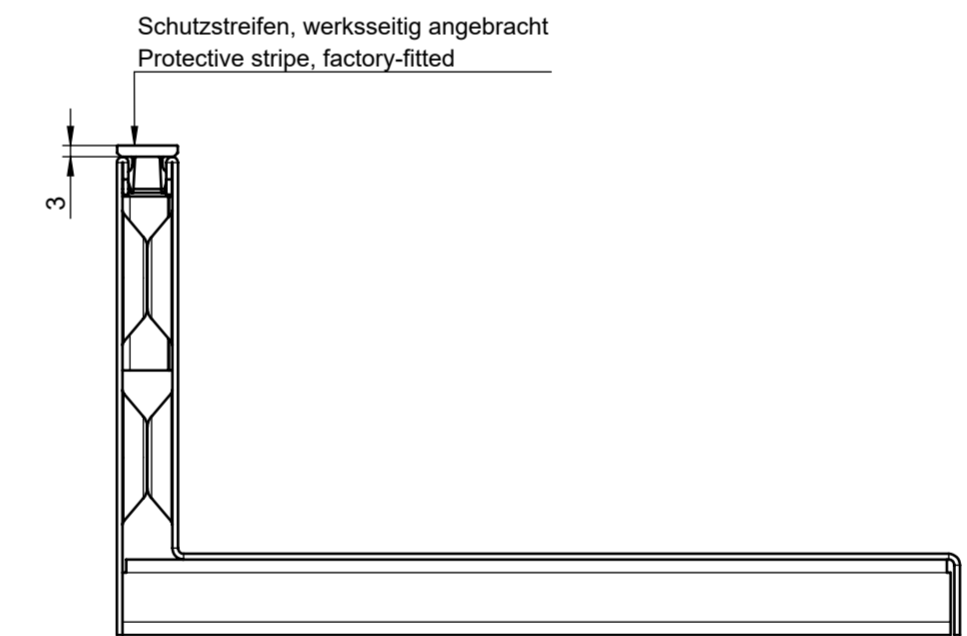
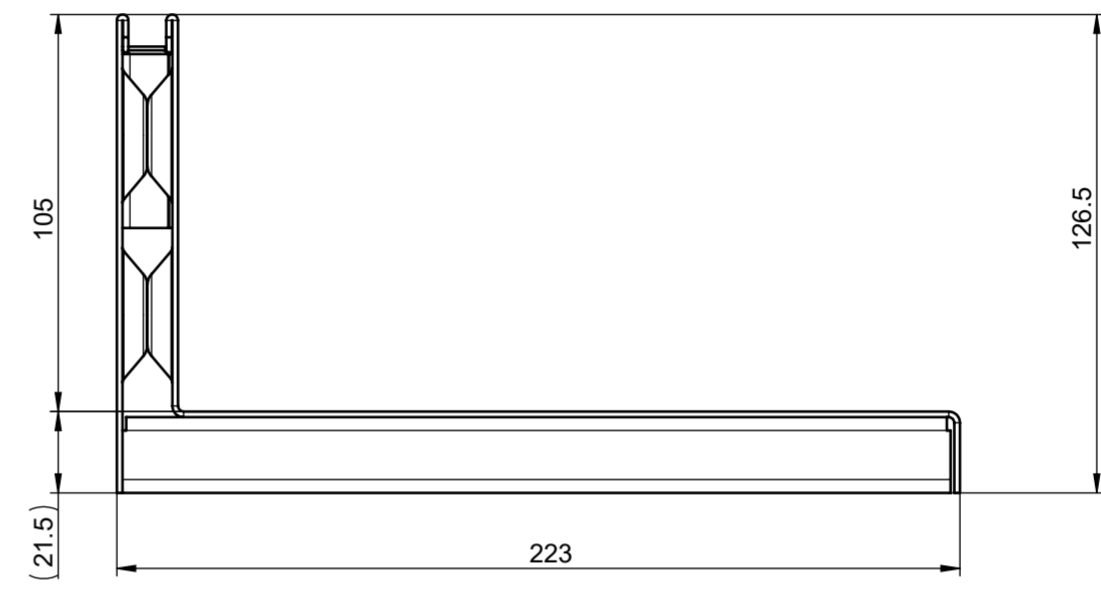
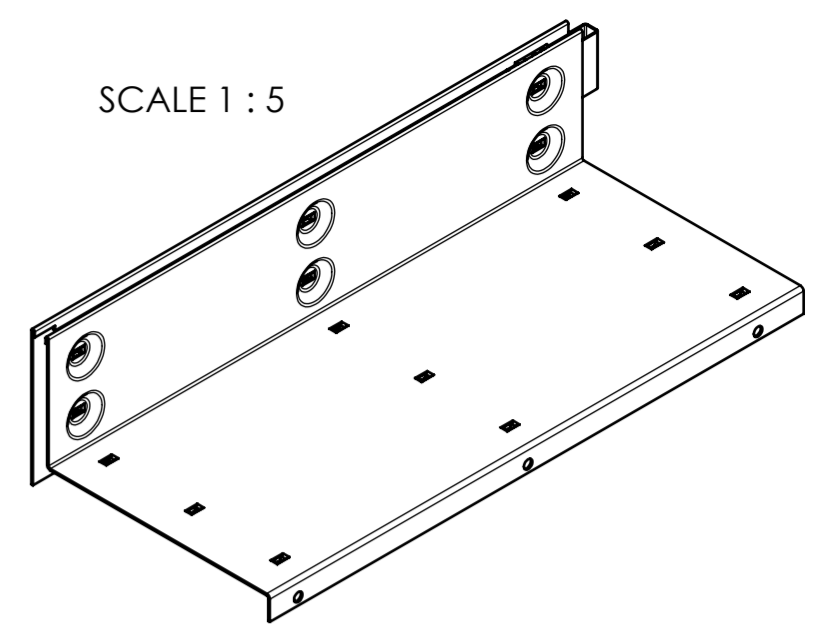
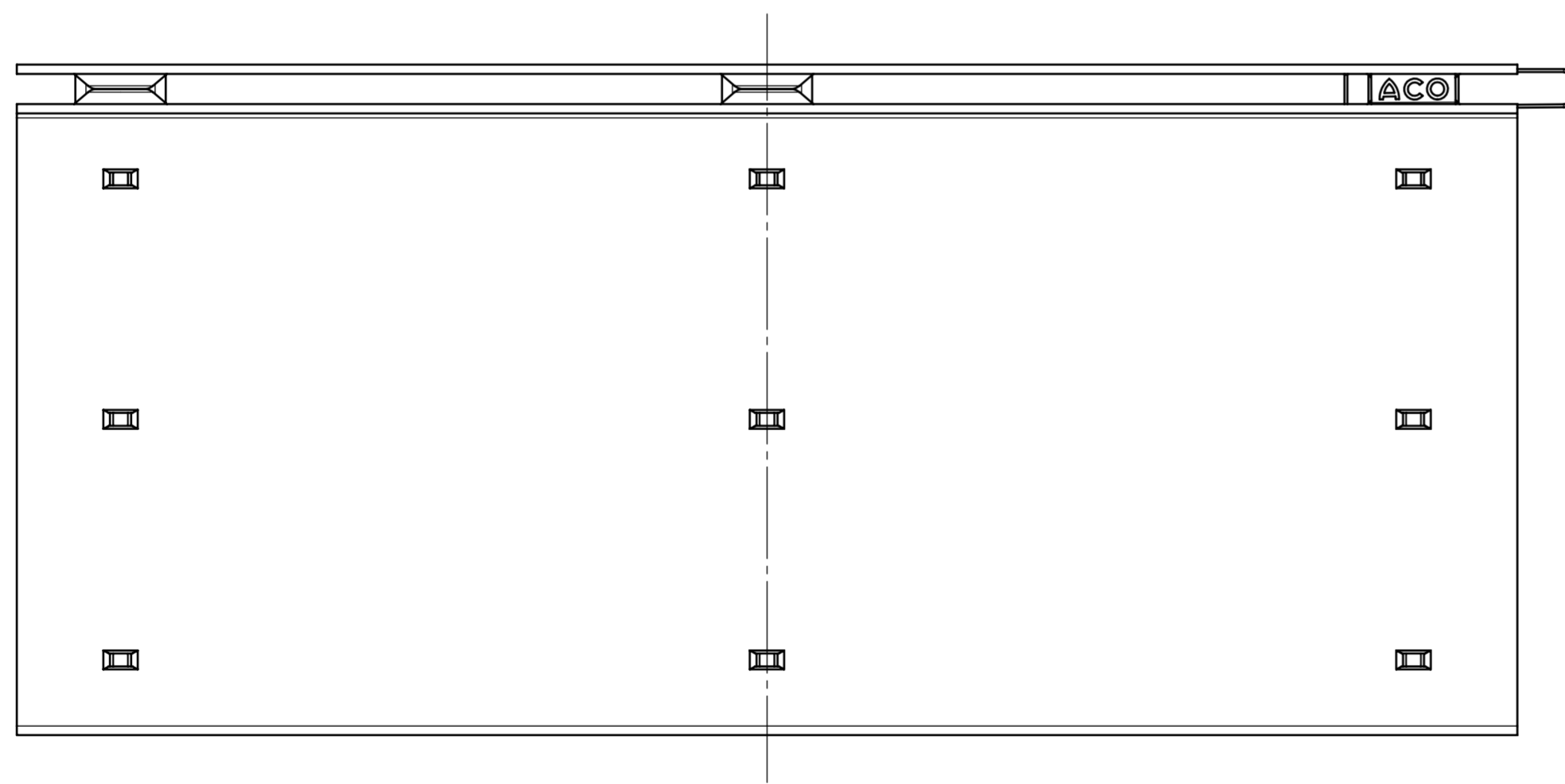
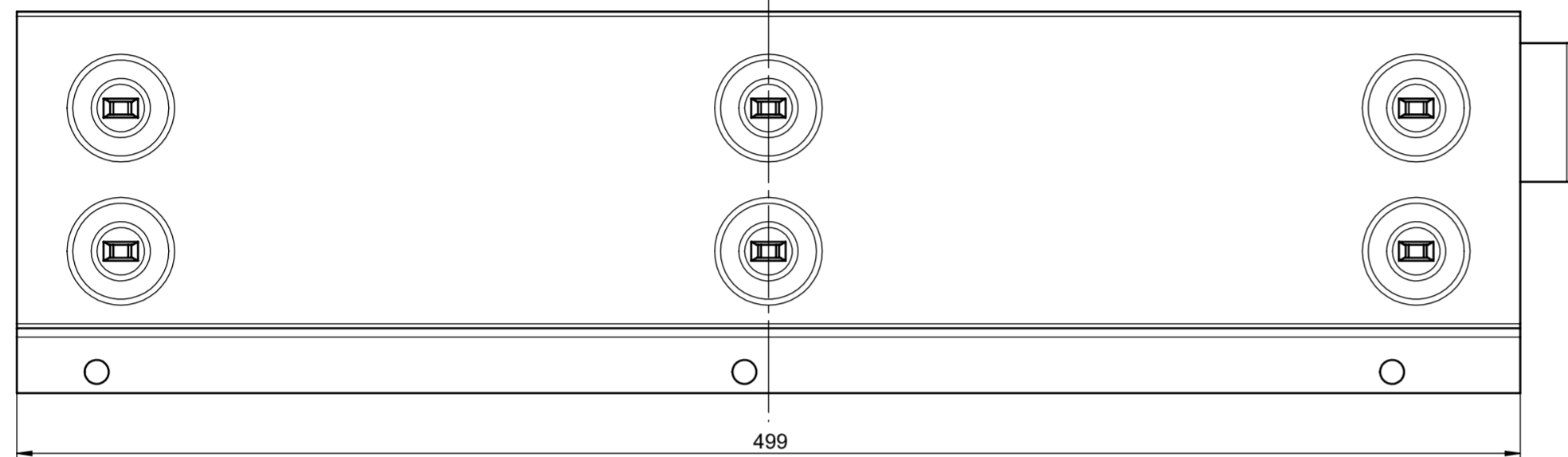


local article number: 446134


 ACO Severin Ahlmann GmbH & Co. KG 24755 Rimbörsburg, Postfach 300 Tel. +49 431 354-0 Email: development@aco.com www.aco.com	drawing-no.: <b>1052465-M</b>	index: <b>003</b>	documenttype: marketing drw.
	created by: rbhata	reviewed by: rbhata	projection: ISO-E 
title: ACO SlotTop SlotTop V200 H105 C250 single slot 10mm L1m, galvanized steel Schlitzrahmen V200 H105 C250 Einzelschlit 10mm L1m, verzinkter Stahl			release date: 26-Jun-2018 17:40
<small>The reproduction, distribution and utilization of this document as well as the communication of its contents to others without express authorization is prohibited. Offenders will be held liable for the payment of damages. All rights reserved in the event of a patent, utility model or design. Observe copyright by ISO 15016</small>			sheet: 1/1

1 2 3 4 5 6 7 8 9 10 11 12

A  
B  
C  
D  
E  
F  
G  
H



local article number: 446135

	ACO Tiefbau Vertrieb GmbH 24755 Rendsburg, Postfach 320 Tel. 04331 / 354-500 Fax. 04331 / 354-358 www.aco.com	drawing-no.: <b>1052467-M</b>	index: <b>003</b>	documenttype: marketing drw.
	created by: rbhatia	reviewed by: rbhatia	projection: ISO-E	scale: 1:2

title:  
 ACO SlotTop  
 SlotTop V200 H105 C250 single slot 10mm L0.5m, galvanized steel  
 Schlitzrahmen V200 H105 C250 Einzelschlit 10mm L0.5m, verzinkter Stahl

The reproduction, distribution and utilization of this document as well as the communication of its contents to others without express authorization is prohibited. Offenders will be held liable for the payment of damages. All rights reserved in the event of the grant of a patent, utility model or design. Observe copyright by ISO 16016

release date:  
 26-Jun-2018 17:40

sheet:  
 1/1

1 2 3 4 5 6 7 8 9 10 11 12