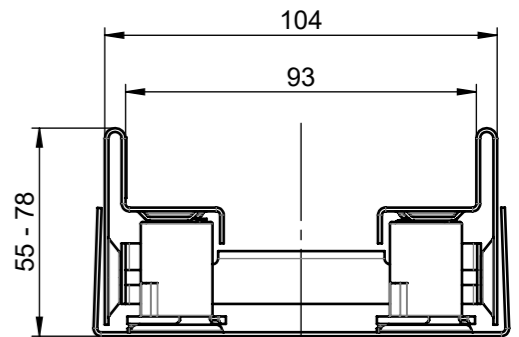
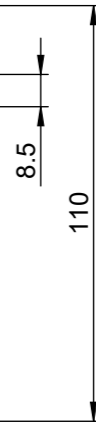


SCALE 1 : 5

600


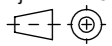


30

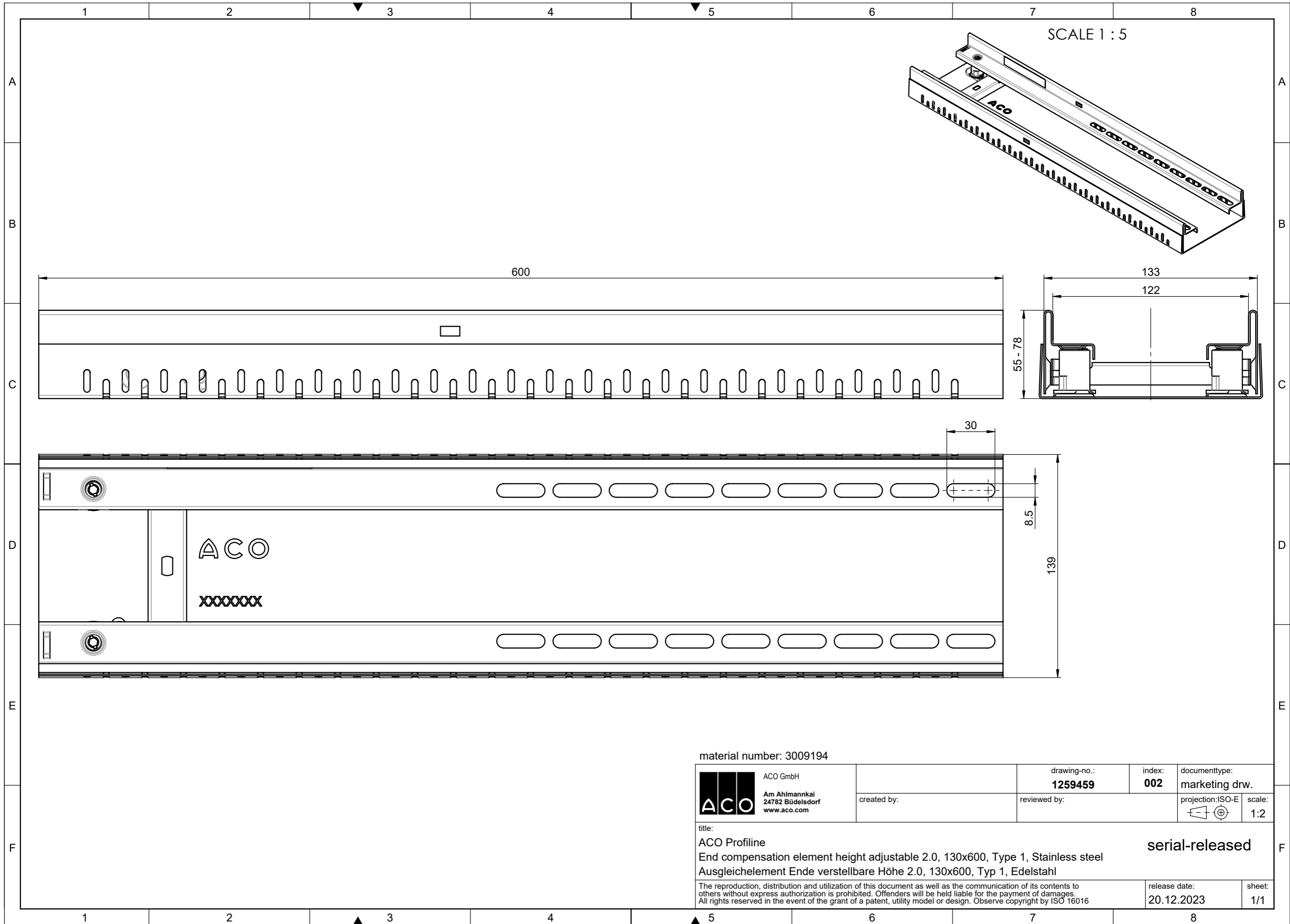


ACO


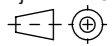
material number: 3009185

| | | | |
|---|--------------------------------|----------------------|--|
|  ACO GmbH Am Ahlmannkai 24782 Büdelsdorf www.aco.com | drawing-no.: 1259943 | index: 002 | documenttype: marketing drw. |
| | created by: | reviewed by: | projection: ISO-E  |
| title: ACO Proflin End compensation element height adjustable 2.0, 100x600, Type 1, Stainless steel Ausgleichselement Ende verstellbare Höhe 2.0, 100x600, Typ 1, Edelstahl | | | serial-released |
| <small>The reproduction, distribution and utilization of this document as well as the communication of its contents to others without express authorization is prohibited. Offenders will be held liable for the payment of damages. All rights reserved in the event of the grant of a patent, utility model or design. Observe copyright by ISO 16016</small> | | | release date: 20.12.2023 |
| | | | sheet: 1/1 |

S:\projekte\2019\001_A3_Vertrieb\22



material number: 3009194

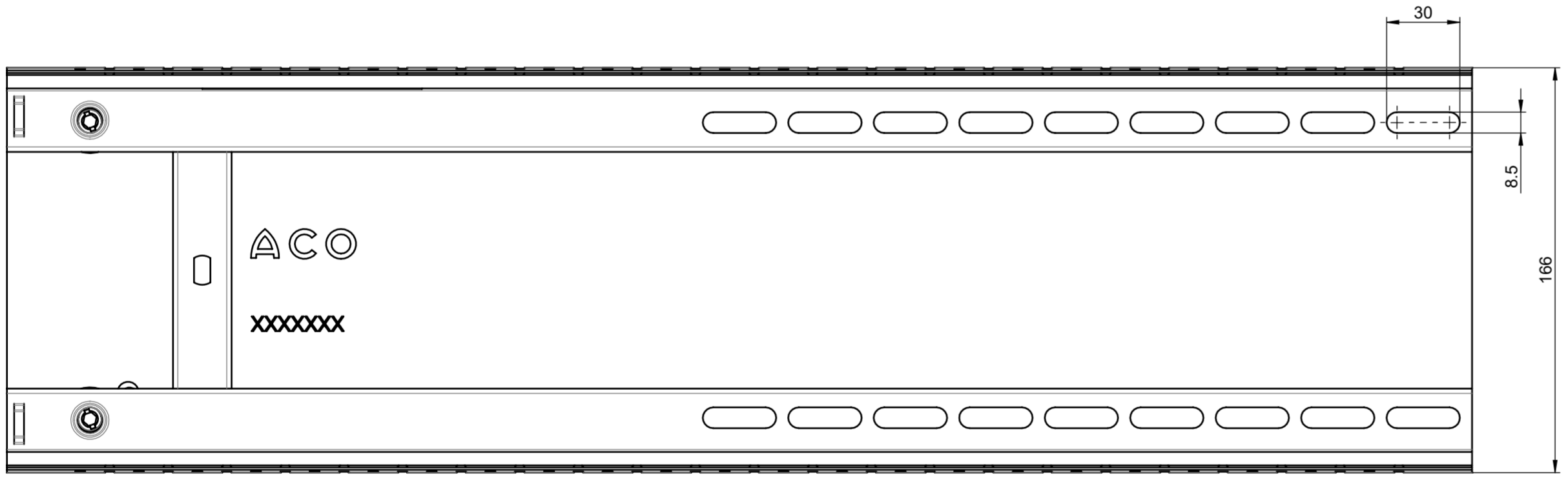
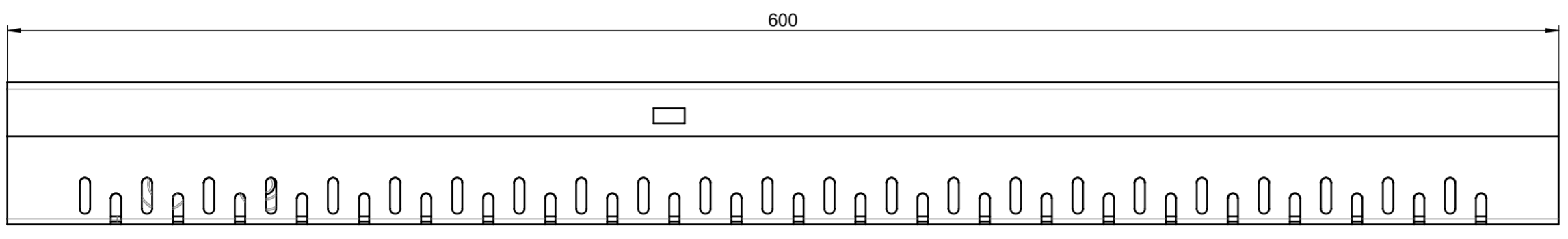
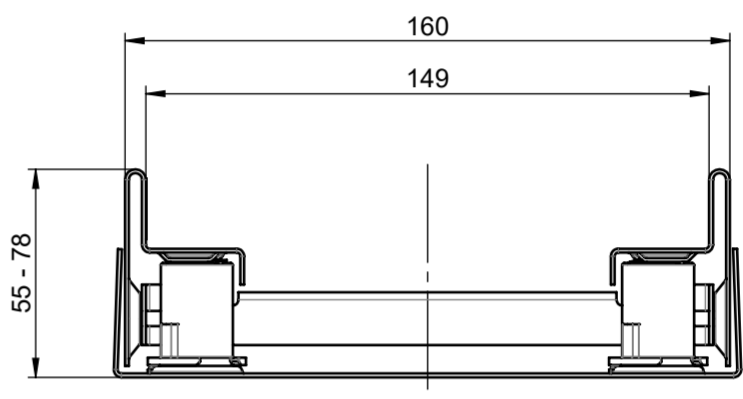
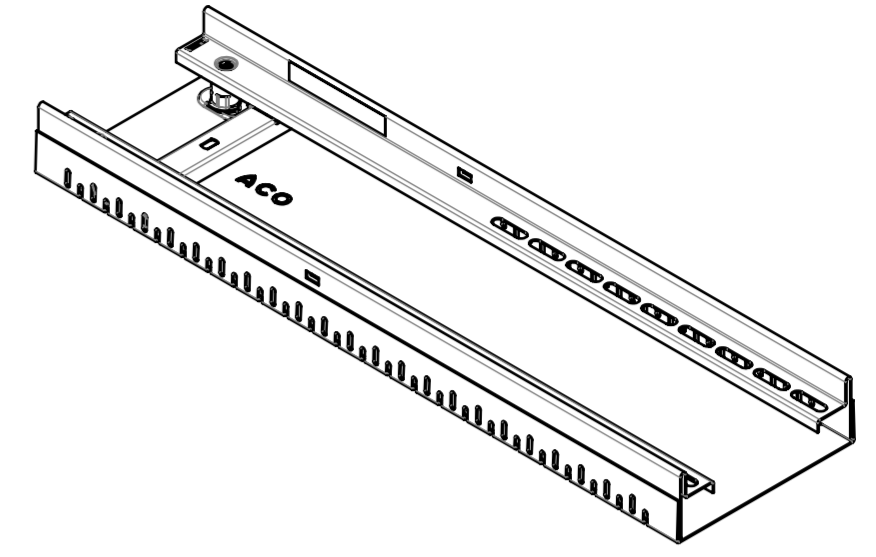
| | | | |
|---|--------------------------------|----------------------|--|
|  ACO GmbH Am Ahlmannkai 24782 Büdelsdorf www.aco.com | drawing-no.: 1259459 | index: 002 | documenttype: marketing drw. |
| | created by: | reviewed by: | projection: ISO-E  |
| title: ACO Proffline End compensation element height adjustable 2.0, 130x600, Type 1, Stainless steel Ausgleichselement Ende verstellbare Höhe 2.0, 130x600, Typ 1, Edelstahl | | | serial-released |
| <small>The reproduction, distribution and utilization of this document as well as the communication of its contents to others without express authorization is prohibited. Offenders will be held liable for the payment of damages. All rights reserved in the event of the grant of a patent, utility model or design. Observe copyright by ISO 16016</small> | | | release date: 20.12.2023 |
| | | | sheet: 1/1 |

S:\projekte\2019\001_A3_Vertrieb\22



1 2 3 4 5 6 7 8 9 10 11 12

A
B
C
D
E
F
G
H

SCALE 1 : 5



material number: 3009203

| | | | |
|--|--------------------------------|----------------------|--|
|  ACO GmbH Am Ahlmannkai 24782 Büdelsdorf www.aco.com | drawing-no.: 1250666 | index: 002 | documenttype: marketing drw. |
| | created by: | reviewed by: | projection: ISO-E  |

title:
ACO Profiline
 End compensation element height adjustable 2.0, 155x600, Type 1, Stainless steel
 Ausgleichelement Ende verstellbare Höhe 2.0, 155x600, Typ 1, Edelstahl

serial-released

The reproduction, distribution and utilization of this document as well as the communication of its contents to others without express authorization is prohibited. Offenders will be held liable for the payment of damages. All rights reserved in the event of the grant of a patent, utility model or design. Observe copyright by ISO 16016

release date:
20.12.2023

sheet:
1/1

1 2 3 4 5 6 7 8 9 10 11 12

1 2 3 4 5 6 7 8 9 10 11 12

A

B

C

D

E

F

G

H

A

B

C

D

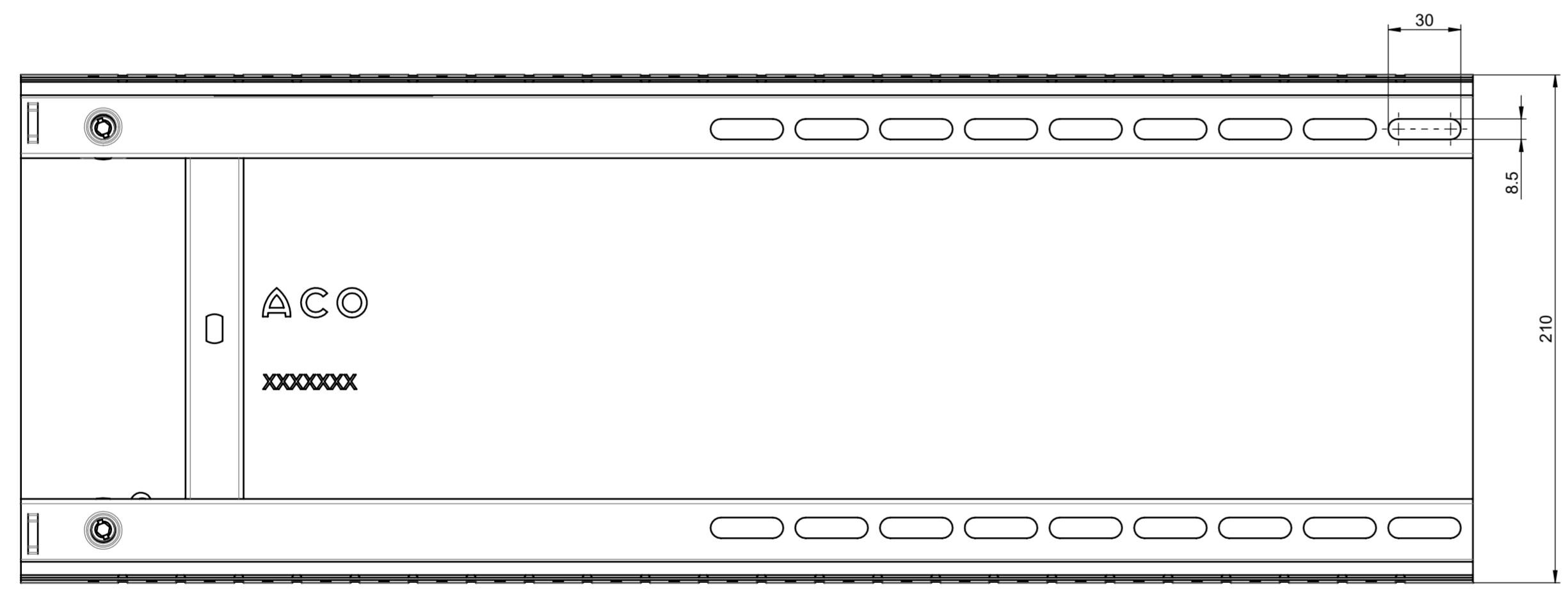
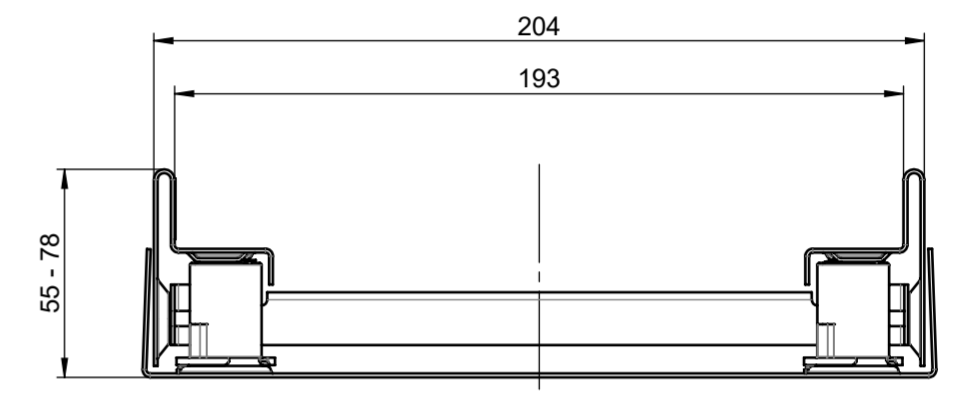
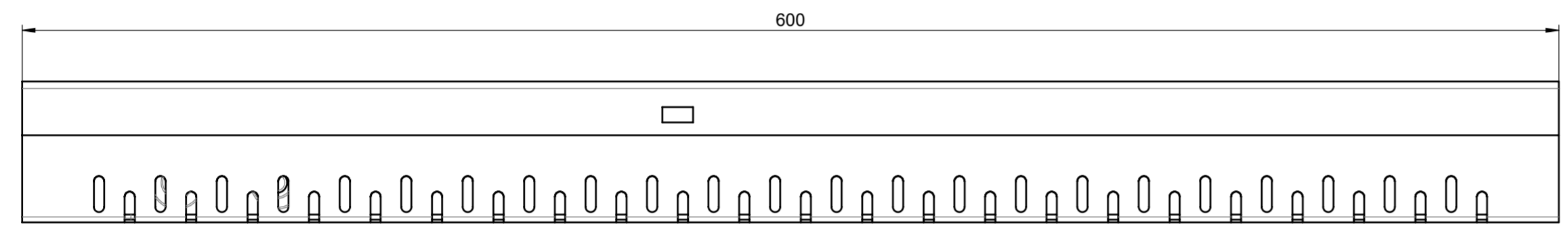
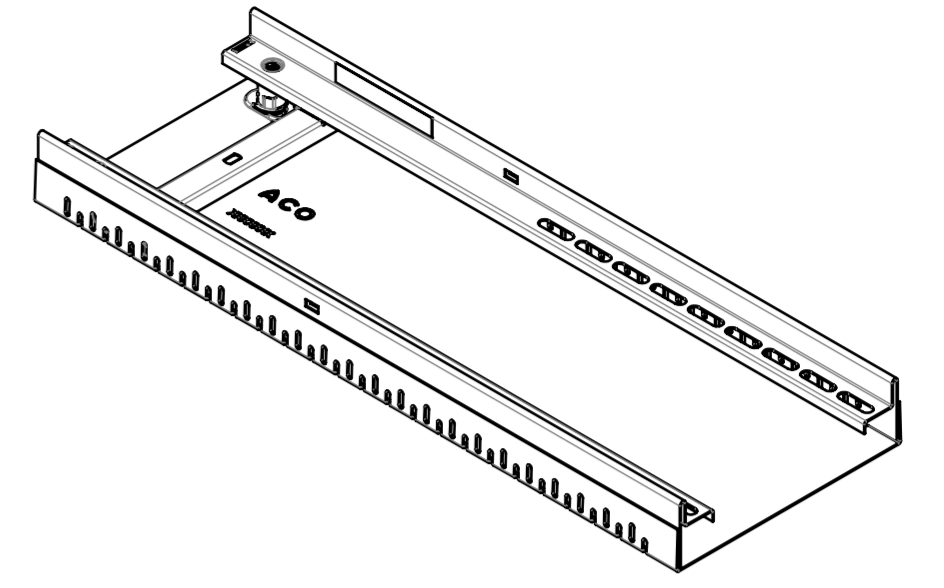
E

F


G

H

SCALE 1 : 5



material number: 3009212

| | | | |
|--|--------------------------------|----------------------|---------------------------------|
|  ACO GmbH Am Ahlmannkai 24782 Büdelsdorf www.aco.com | drawing-no.: 1254240 | index: 002 | documenttype: marketing drw. |
| | created by: | reviewed by: | projection: ISO-E scale: 1:2 |

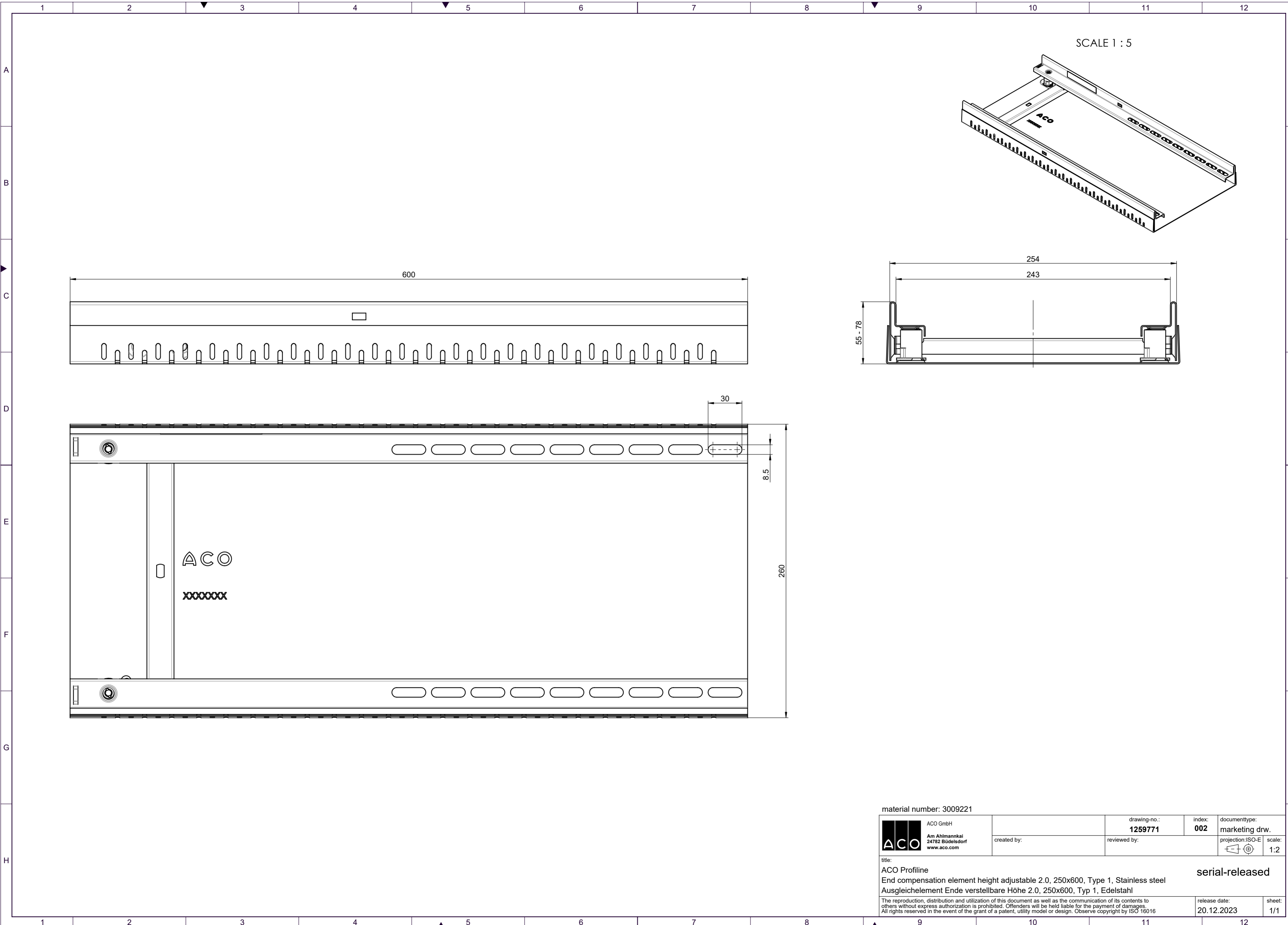
title:
 ACO Profiline
 End compensation element height adjustable 2.0, 200x600, Type 1, Stainless steel
 Ausgleichement Ende verstellbare Höhe 2.0, 200x600, Typ 1, Edelstahl

serial-released

The reproduction, distribution and utilization of this document as well as the communication of its contents to others without express authorization is prohibited. Offenders will be held liable for the payment of damages. All rights reserved in the event of the grant of a patent, utility model or design. Observe copyright by ISO 16016

release date: 20.12.2023
 sheet: 1/1

1 2 3 4 5 6 7 8 9 10 11 12



SCALE 1 : 5

600

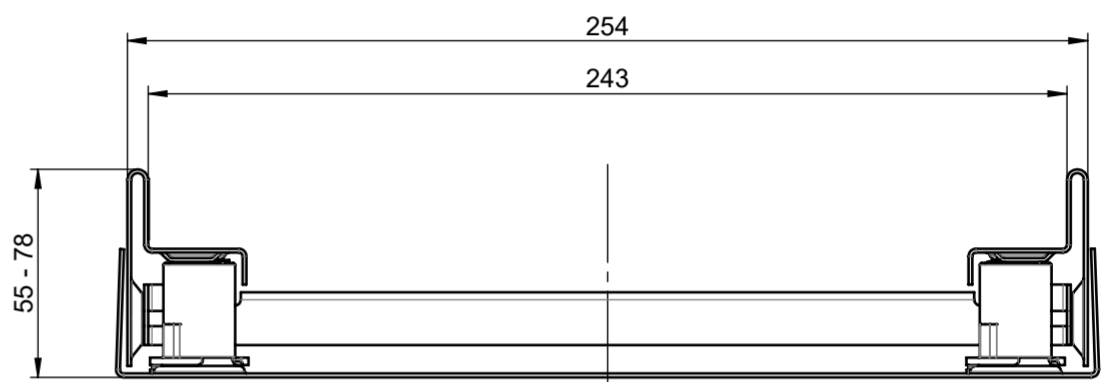
30

8.5

260

ACO


XXXXXXX

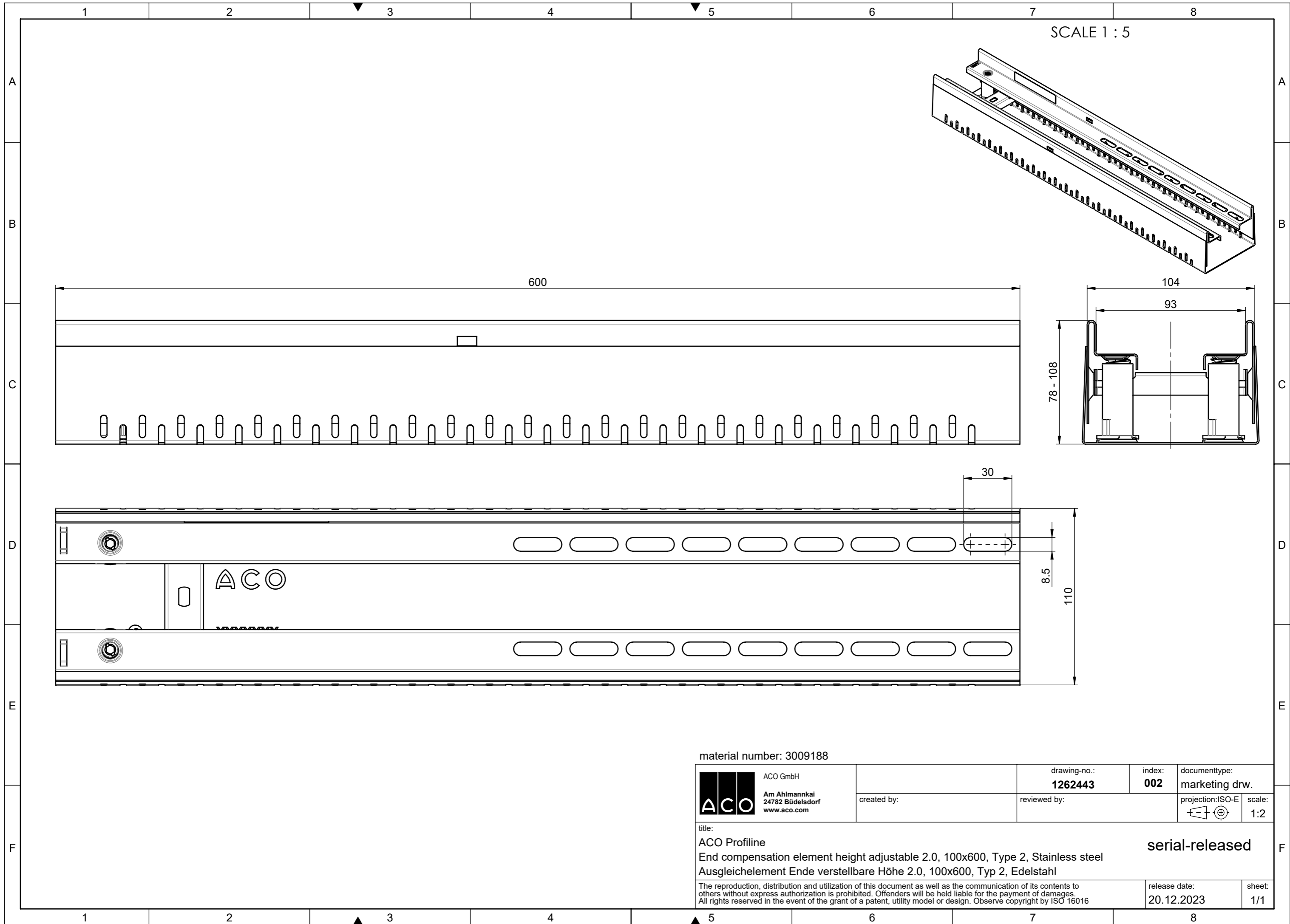


254


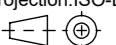
243

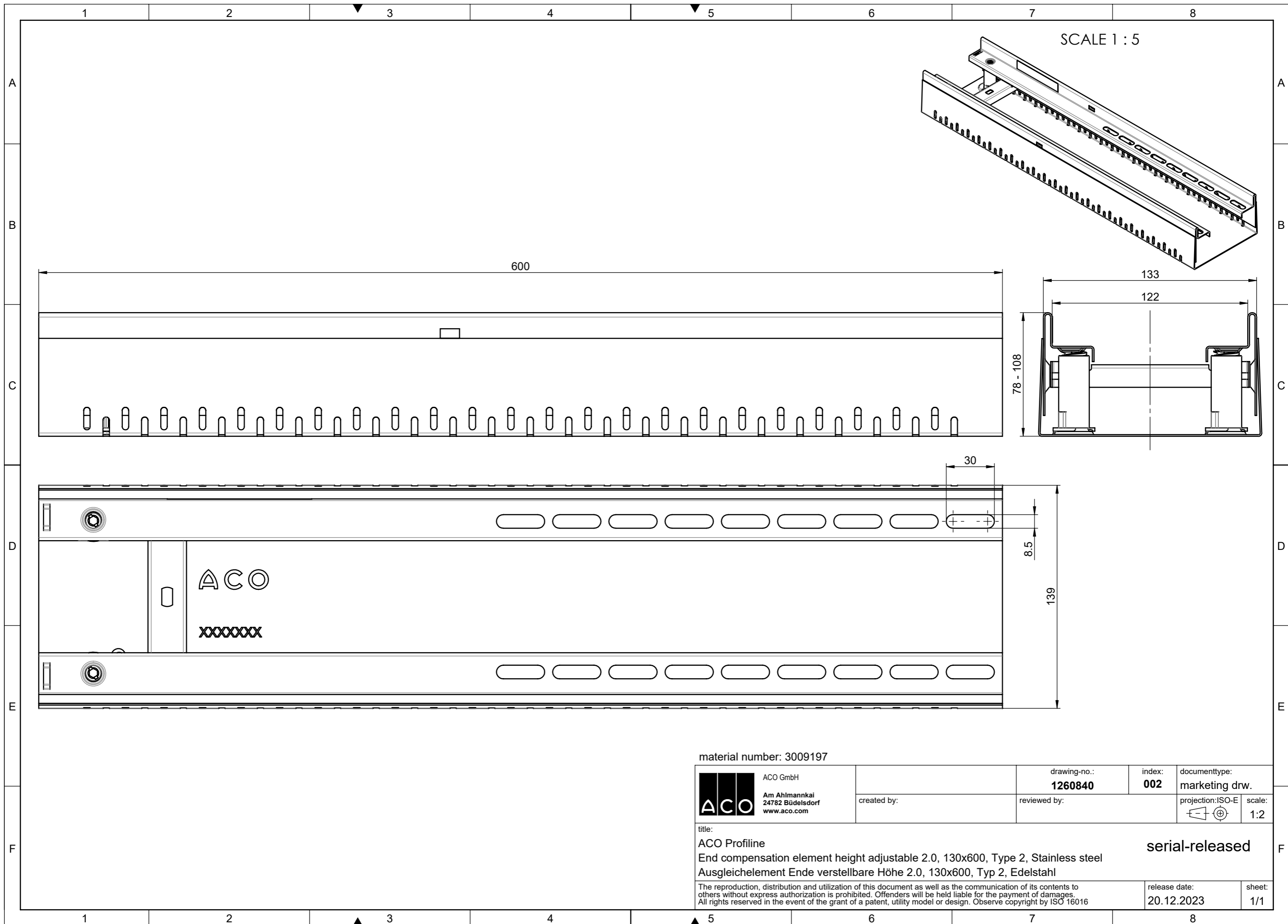
55 - 78

| | | | | |
|--|-------------|--------------------------------|-----------------------------|---------------------------------|
| material number: 3009221 | | drawing-no.: 1259771 | index: 002 | documenttype: marketing drw. |
|  ACO GmbH Am Ahlmannkai 24782 Büdelsdorf www.aco.com | created by: | reviewed by: | projection: ISO-E | scale: 1:2 |
| title: ACO Profiline End compensation element height adjustable 2.0, 250x600, Type 1, Stainless steel Ausgleichelement Ende verstellbare Höhe 2.0, 250x600, Typ 1, Edelstahl | | | | serial-released |
| The reproduction, distribution and utilization of this document as well as the communication of its contents to others without express authorization is prohibited. Offenders will be held liable for the payment of damages. All rights reserved in the event of the grant of a patent, utility model or design. Observe copyright by ISO 16016 | | | release date: 20.12.2023 | sheet: 1/1 |


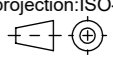


material number: 3009188

| | | | |
|---|--------------------------------|----------------------|--|
|  ACO GmbH Am Ahlmannkai 24782 Büdelsdorf www.aco.com | drawing-no.: 1262443 | index: 002 | documenttype: marketing drw. |
| | created by: | reviewed by: | projection: ISO-E  |
| title: ACO Proflin End compensation element height adjustable 2.0, 100x600, Type 2, Stainless steel Ausgleichselement Ende verstellbare Höhe 2.0, 100x600, Typ 2, Edelstahl | | | serial-released |
| <small>The reproduction, distribution and utilization of this document as well as the communication of its contents to others without express authorization is prohibited. Offenders will be held liable for the payment of damages. All rights reserved in the event of the grant of a patent, utility model or design. Observe copyright by ISO 16016</small> | | | release date: 20.12.2023 |
| | | | sheet: 1/1 |



material number: 3009197

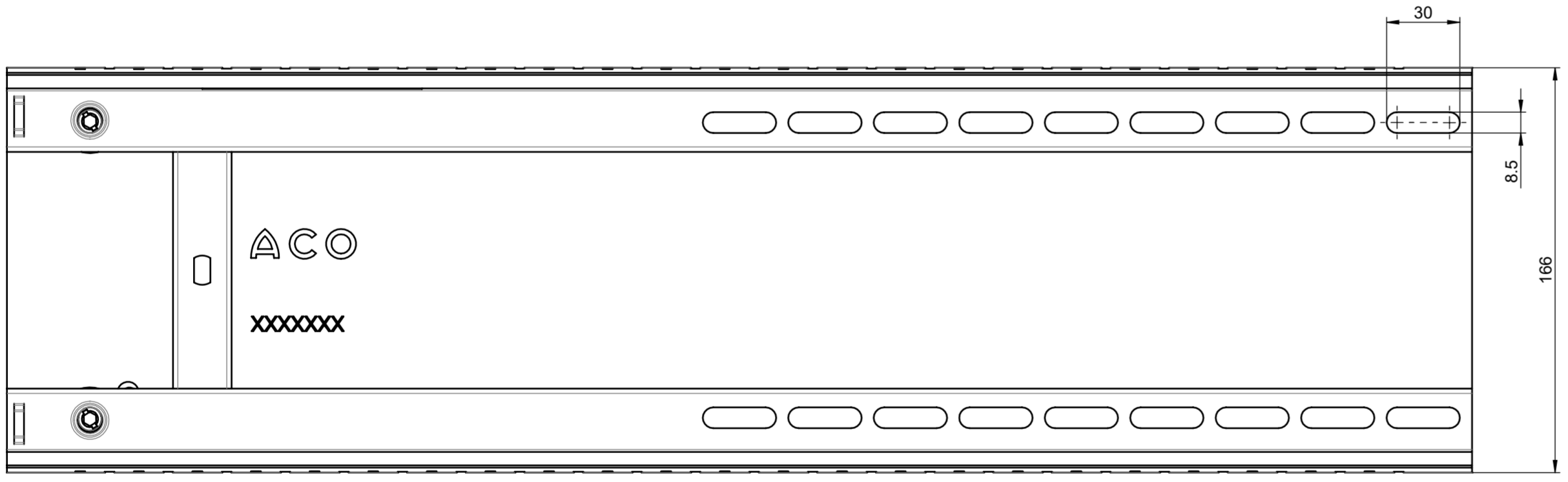
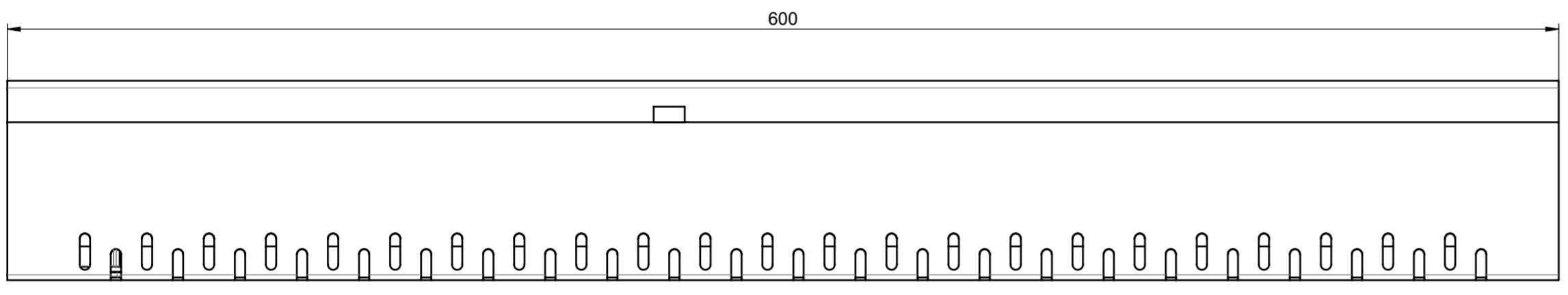
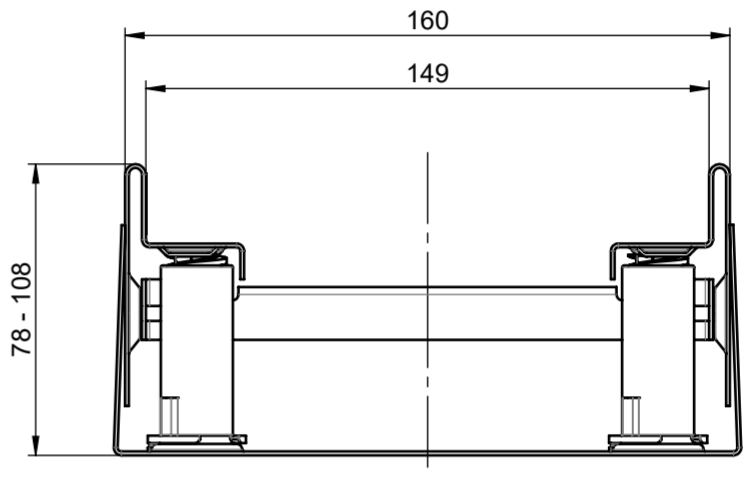
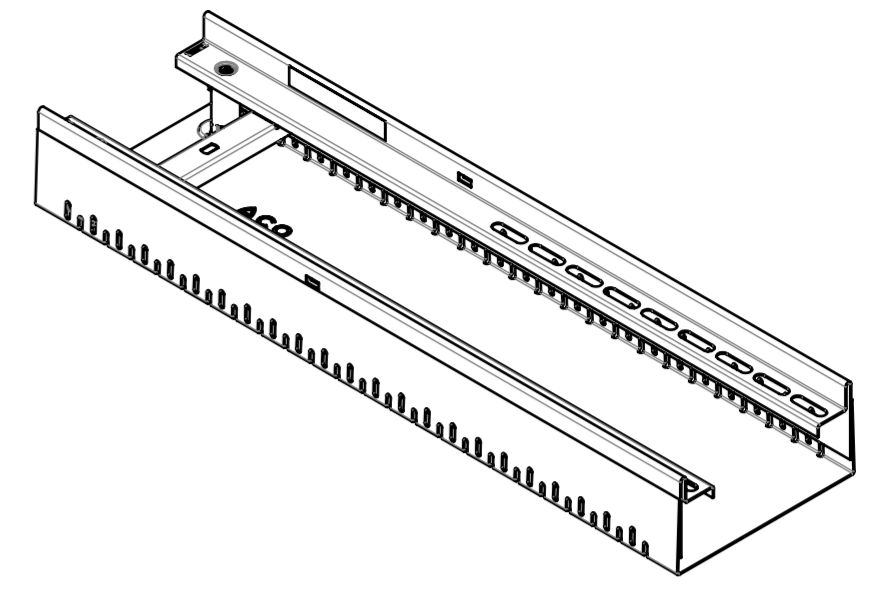
| | | | | |
|--|--------------|---|-----------------------------|---------------------------------|
|  ACO GmbH Am Ahlmannkai 24782 Büdelsdorf www.aco.com | created by: | drawing-no.: 1260840 | index: 002 | documenttype: marketing drw. |
| | reviewed by: |  scale: 1:2 | | |
| title: ACO Proflin End compensation element height adjustable 2.0, 130x600, Type 2, Stainless steel Ausgleichement Ende verstellbare Höhe 2.0, 130x600, Typ 2, Edelstahl | | | | serial-released |
| The reproduction, distribution and utilization of this document as well as the communication of its contents to others without express authorization is prohibited. Offenders will be held liable for the payment of damages. All rights reserved in the event of the grant of a patent, utility model or design. Observe copyright by ISO 16016 | | | release date: 20.12.2023 | sheet: 1/1 |

S:\projekte\2019\001_A3_Vertrieb\22

1 2 3 4 5 6 7 8 9 10 11 12

A
B
C
D
E
F
G
H

SCALE 1 : 5



material number: 3009206



| | | |
|--------------------------------|----------------------|---------------------------------|
| drawing-no.: 1251045 | index: 002 | documenttype: marketing drw. |
| created by: | reviewed by: | projection: ISO-E scale: 1:2 |

title:
ACO Profiline
End compensation element height adjustable 2.0, 155x600, Type 2, Stainless steel
Ausgleichelement Ende verstellbare Höhe 2.0, 155x600, Typ 2, Edelstahl

serial-released

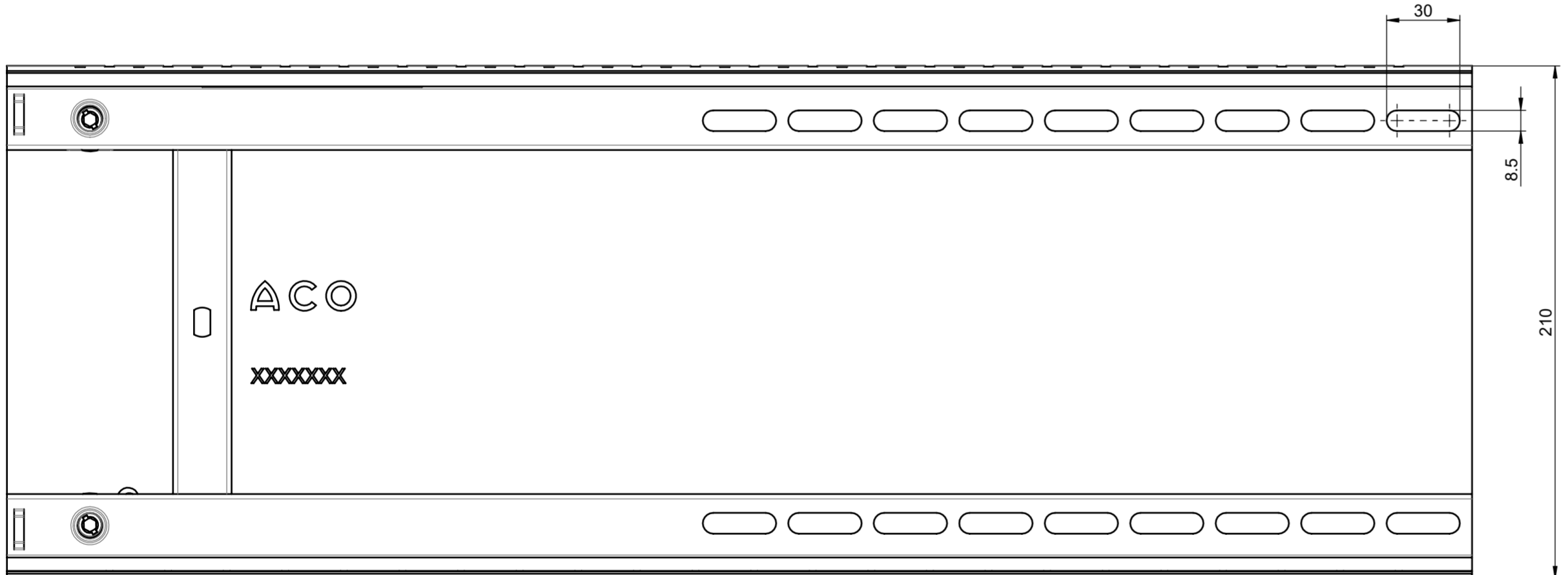
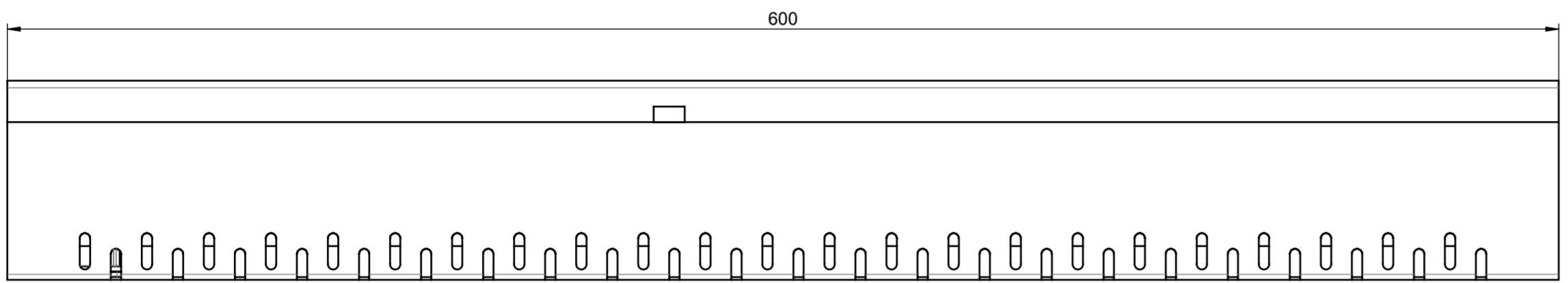
The reproduction, distribution and utilization of this document as well as the communication of its contents to others without express authorization is prohibited. Offenders will be held liable for the payment of damages. All rights reserved in the event of the grant of a patent, utility model or design. Observe copyright by ISO 16016

release date: 20.12.2023 sheet: 1/1

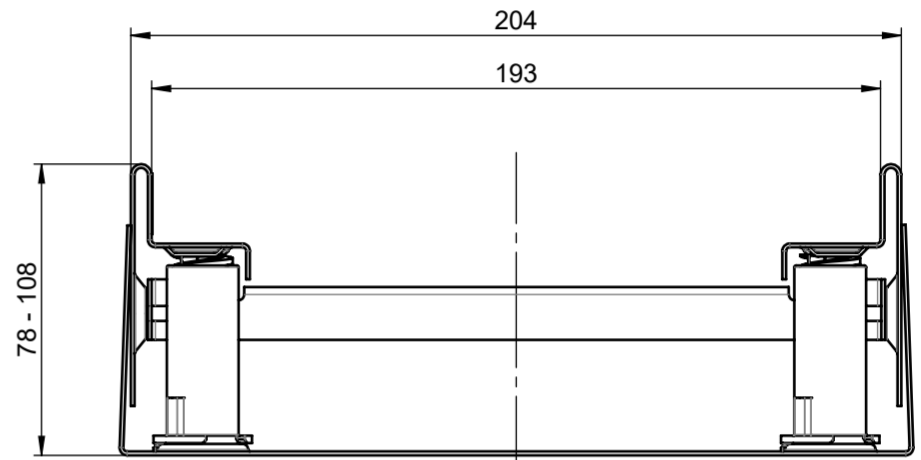
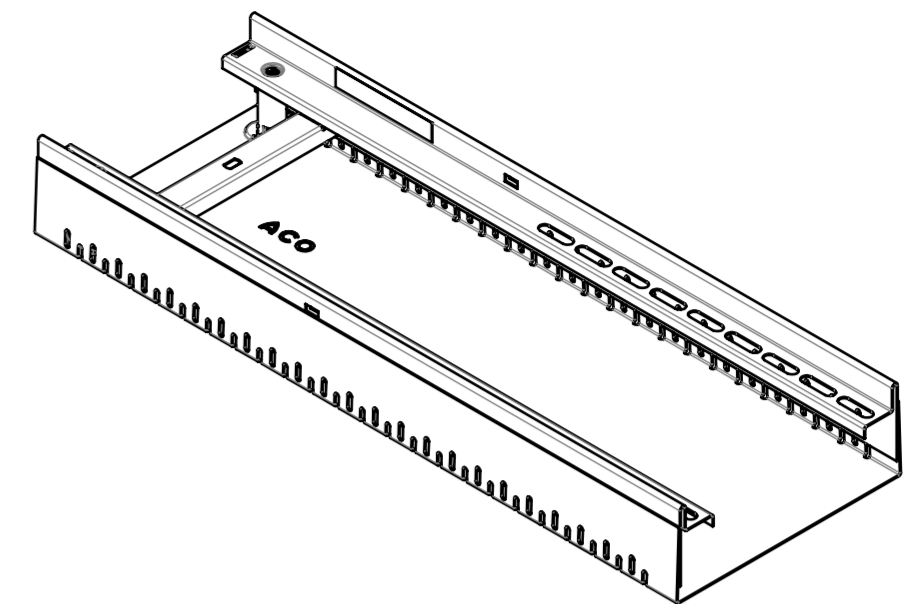
1 2 3 4 5 6 7 8 9 10 11 12


1 2 3 4 5 6 7 8 9 10 11 12

A
B
C
D
E
F
G
H

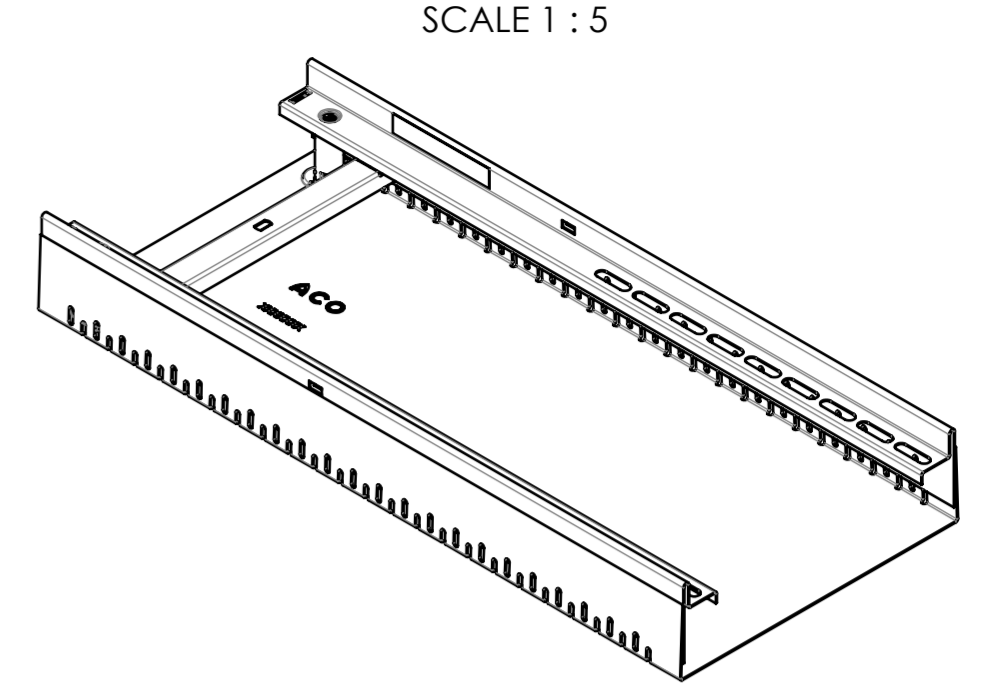
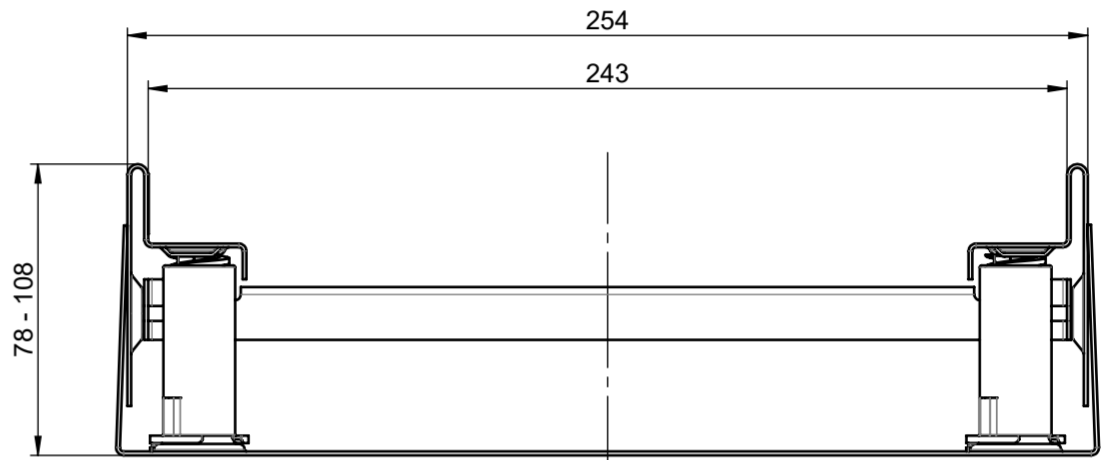
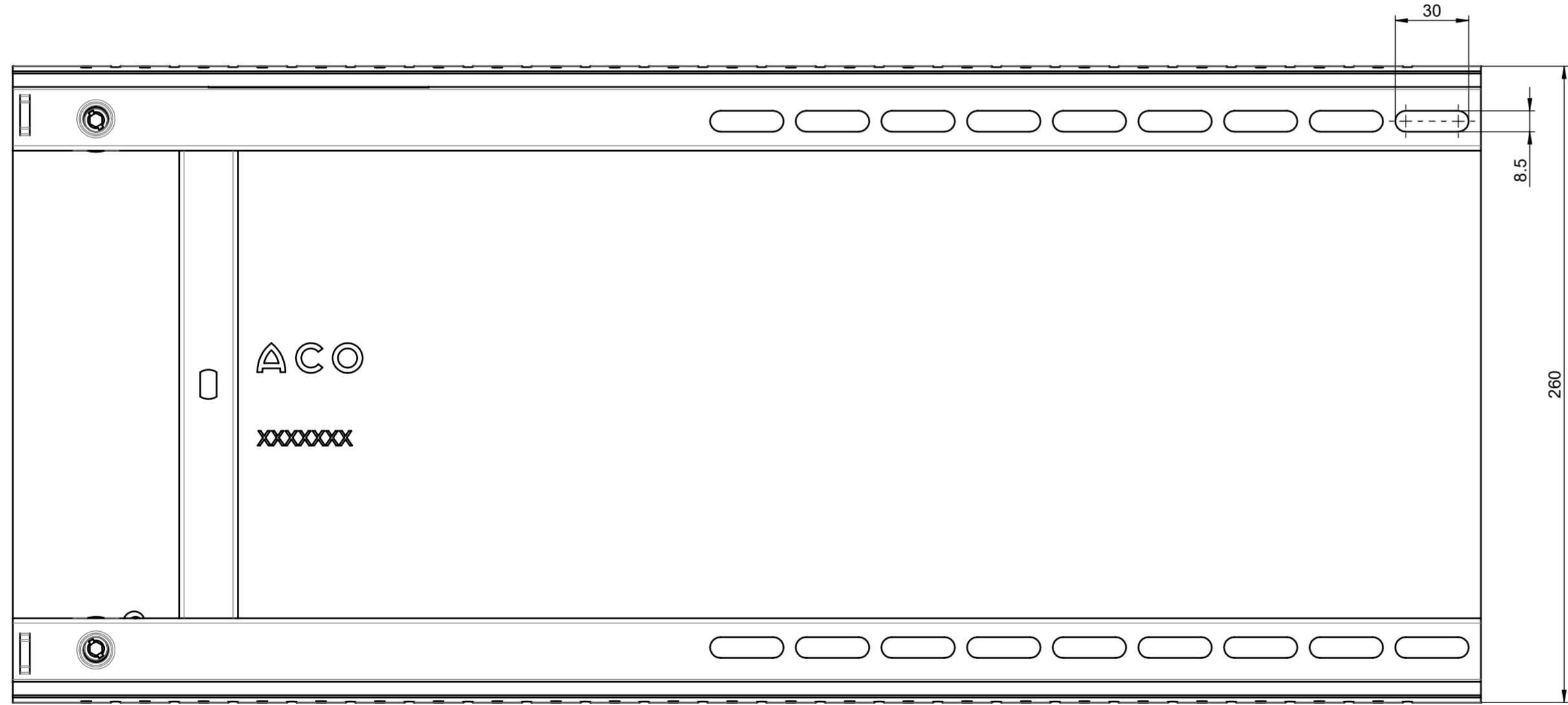
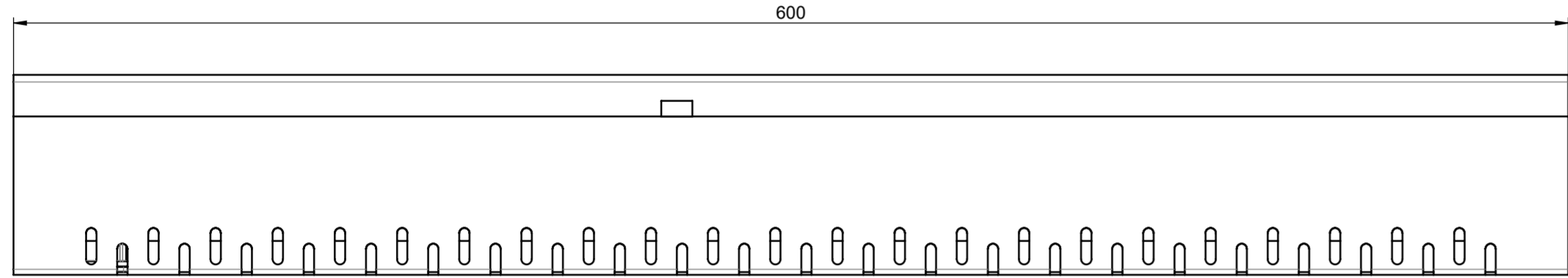
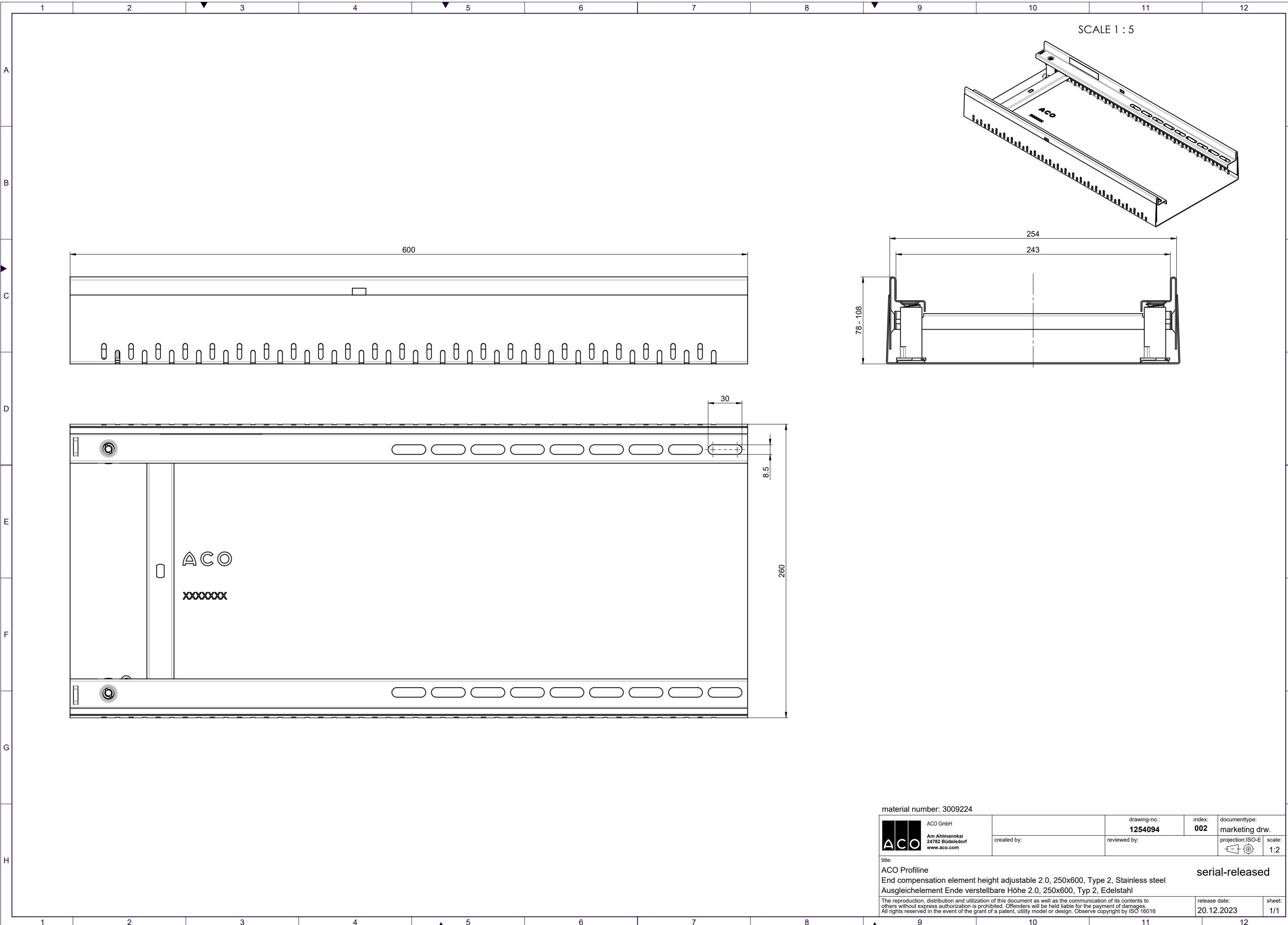


SCALE 1 : 5




| | | | | |
|--|-------------|--------------------------------|-----------------------------|---------------------------------|
| material number: 3009215 | | drawing-no.: 1260953 | index: 002 | documenttype: marketing drw. |
|  ACO GmbH Am Ahlmannkai 24782 Büdelsdorf www.aco.com | created by: | reviewed by: | projection: ISO-E | scale: 1:2 |
| title: ACO Profiline End compensation element height adjustable 2.0, 200x600, Type 2, Stainless steel Ausgleichelement Ende verstellbare Höhe 2.0, 200x600, Typ 2, Edelstahl | | | | serial-released |
| The reproduction, distribution and utilization of this document as well as the communication of its contents to others without express authorization is prohibited. Offenders will be held liable for the payment of damages. All rights reserved in the event of the grant of a patent, utility model or design. Observe copyright by ISO 16016 | | | release date: 20.12.2023 | sheet: 1/1 |

1 2 3 4 5 6 7 8 9 10 11 12



material number: 3009224

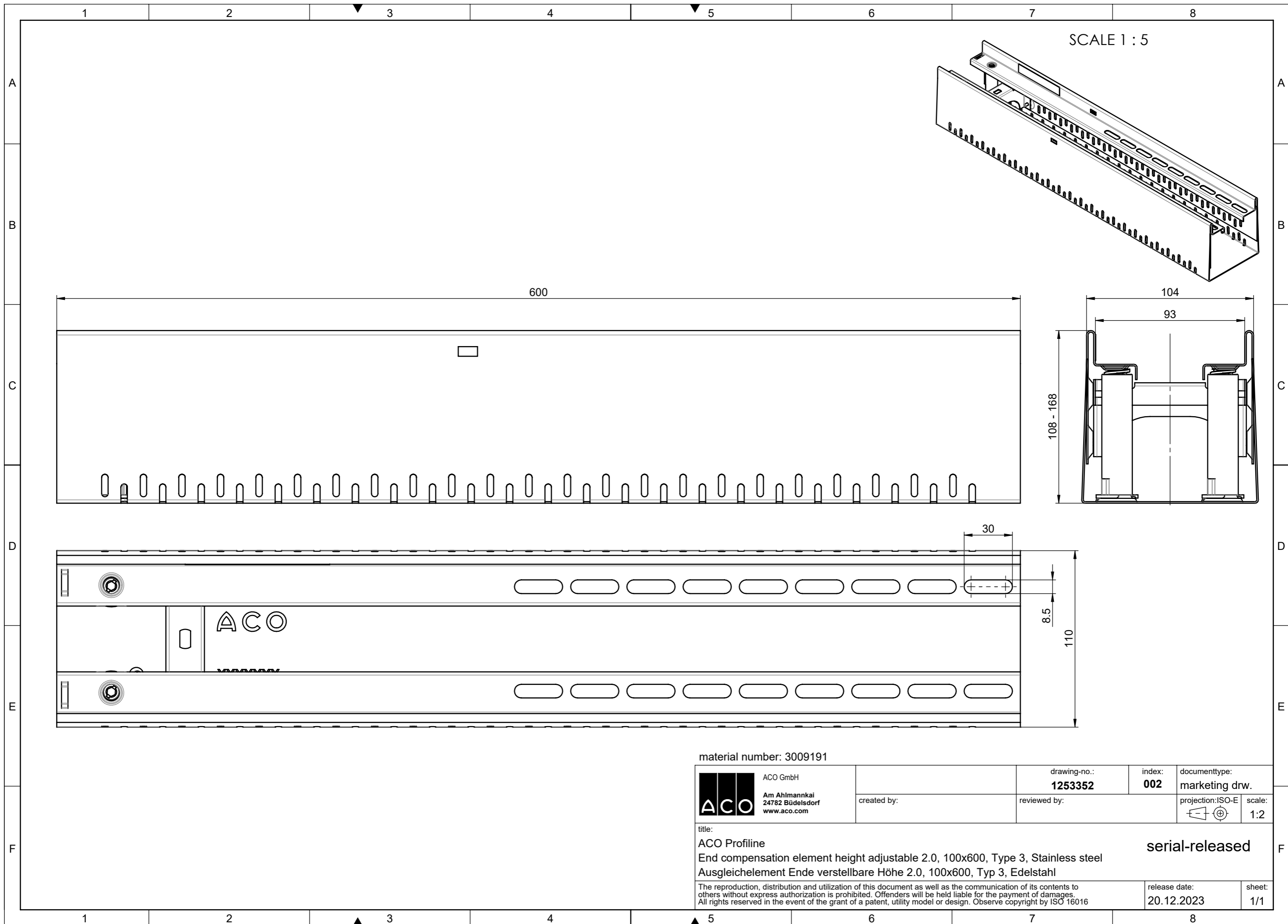
| | | | |
|--|--------------------------------|----------------------|---------------------------------|
|  ACO GmbH Am Ahlmannkai 24782 Büdelsdorf www.aco.com | drawing-no.: 1254094 | index: 002 | documenttype: marketing drw. |
| | created by: | reviewed by: | projection: ISO-E scale: 1:2 |

title:
ACO Profiline
 End compensation element height adjustable 2.0, 250x600, Type 2, Stainless steel
 Ausgleichelement Ende verstellbare Höhe 2.0, 250x600, Typ 2, Edelstahl


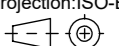
serial-released

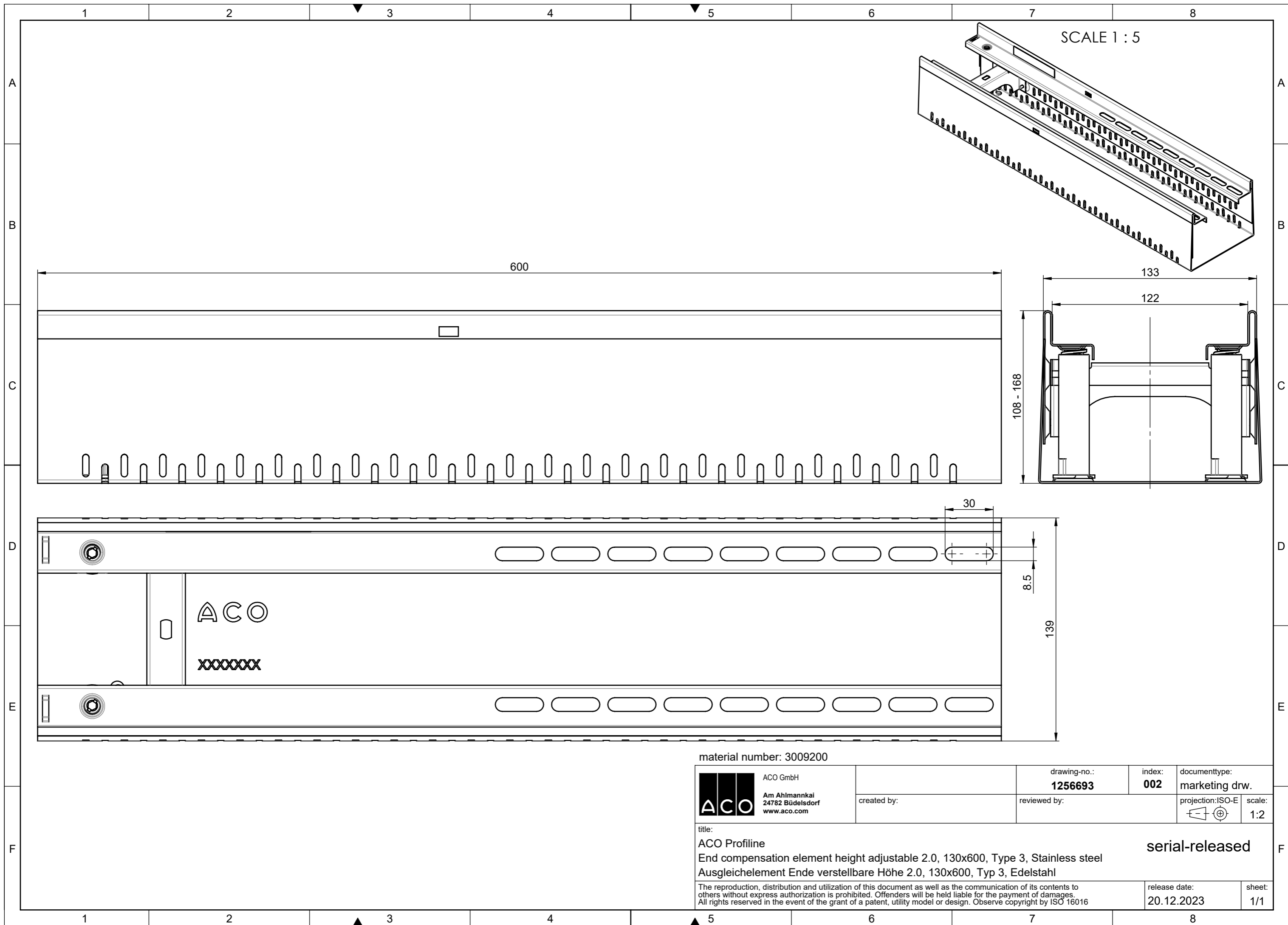
The reproduction, distribution and utilization of this document as well as the communication of its contents to others without express authorization is prohibited. Offenders will be held liable for the payment of damages. All rights reserved in the event of the grant of a patent, utility model or design. Observe copyright by ISO 16016

| | |
|-----------------------------|---------------|
| release date: 20.12.2023 | sheet: 1/1 |
|-----------------------------|---------------|


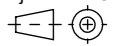


material number: 3009191

| | | | |
|---|--------------------------------|----------------------|--|
|  ACO GmbH Am Ahlmannkai 24782 Büdelsdorf www.aco.com | drawing-no.: 1253352 | index: 002 | documenttype: marketing drw. |
| | created by: | reviewed by: | projection: ISO-E  |
| title: ACO Proflin End compensation element height adjustable 2.0, 100x600, Type 3, Stainless steel Ausgleichelement Ende verstellbare Höhe 2.0, 100x600, Typ 3, Edelstahl | | | serial-released |
| <small>The reproduction, distribution and utilization of this document as well as the communication of its contents to others without express authorization is prohibited. Offenders will be held liable for the payment of damages. All rights reserved in the event of the grant of a patent, utility model or design. Observe copyright by ISO 16016</small> | | | release date: 20.12.2023 |
| | | | sheet: 1/1 |



material number: 3009200

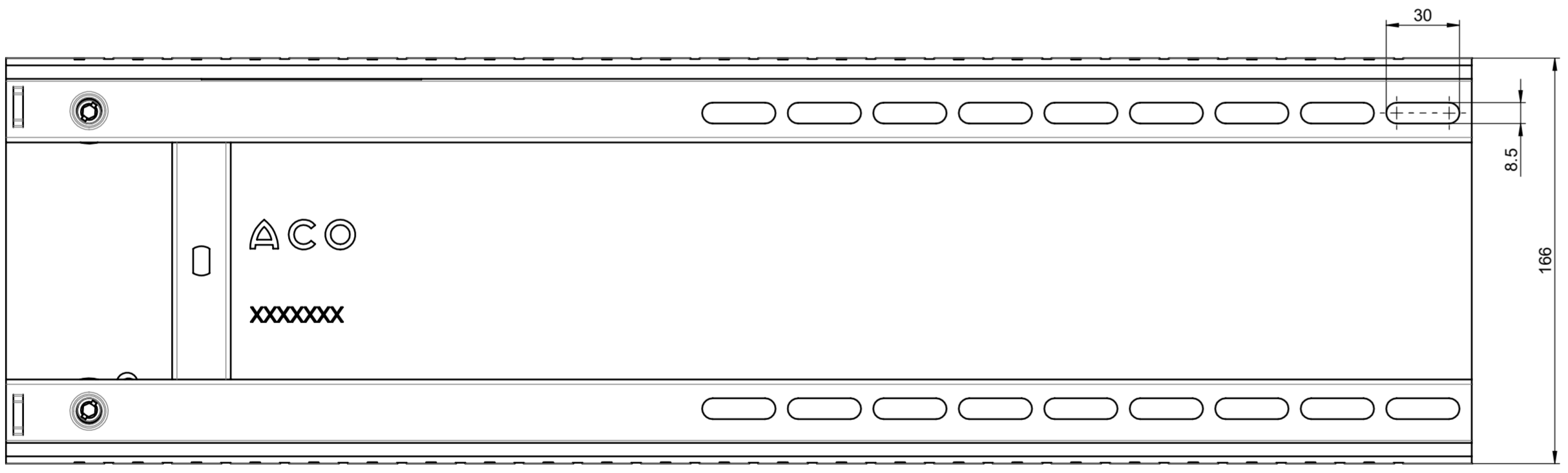
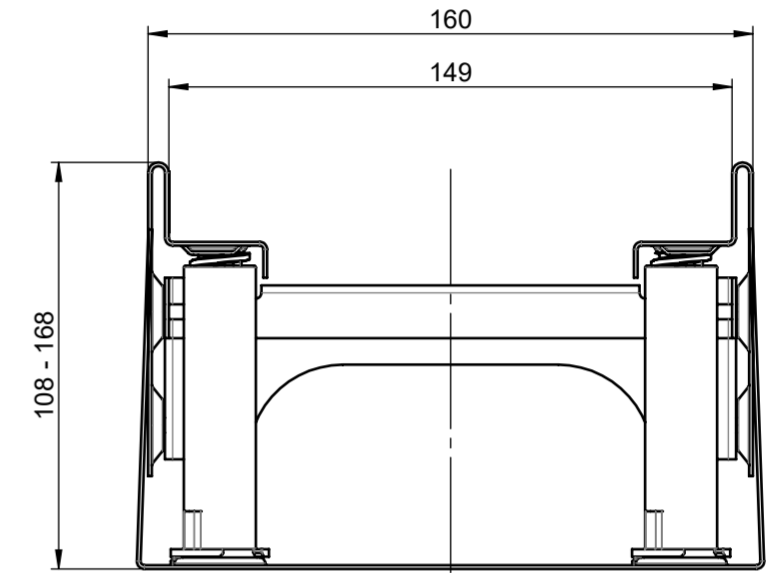
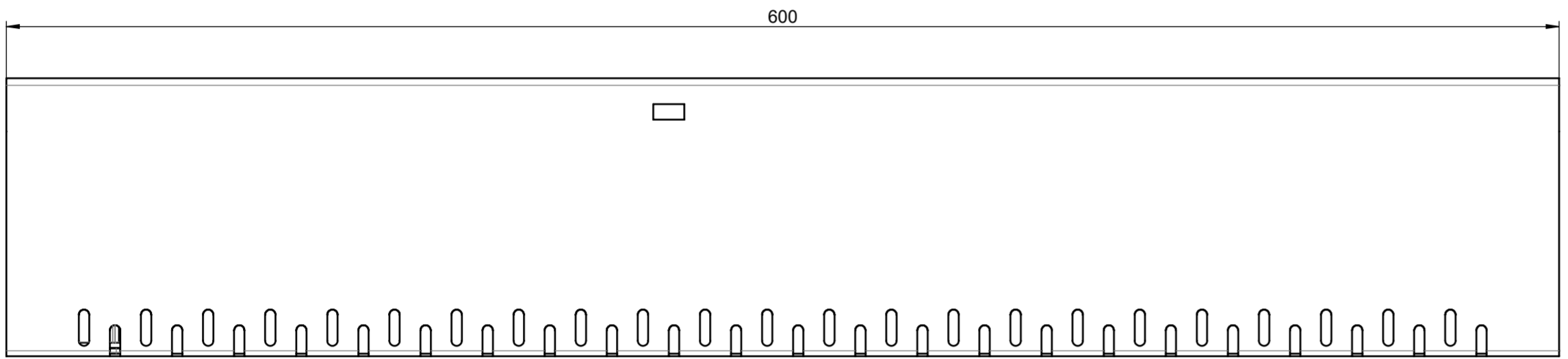
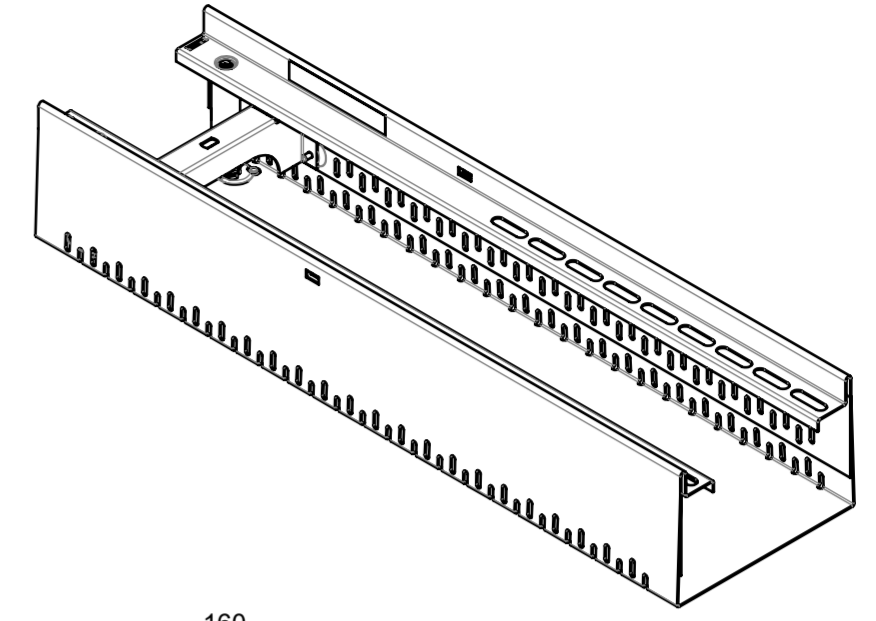
| | | | |
|---|--------------------------------|----------------------|--|
|  ACO GmbH Am Ahlmannkai 24782 Büdelsdorf www.aco.com | drawing-no.: 1256693 | index: 002 | documenttype: marketing drw. |
| | created by: | reviewed by: | projection: ISO-E  |
| title: ACO Profiline End compensation element height adjustable 2.0, 130x600, Type 3, Stainless steel Ausgleichement Ende verstellbare Höhe 2.0, 130x600, Typ 3, Edelstahl | | | serial-released release date: 20.12.2023 |
| <small>The reproduction, distribution and utilization of this document as well as the communication of its contents to others without express authorization is prohibited. Offenders will be held liable for the payment of damages. All rights reserved in the event of the grant of a patent, utility model or design. Observe copyright by ISO 16016</small> | | | sheet: 1/1 |

S:\projekte\2019\001_13-Versatz_22


1 2 3 4 5 6 7 8 9 10 11 12

A
B
C
D
E
F
G
H

SCALE 1 : 5



material number: 3009209

| | | | |
|--|--------------------------------|----------------------|---------------------------------|
|  ACO GmbH Am Ahlmannkai 24782 Büdelsdorf www.aco.com | drawing-no.: 1255995 | index: 002 | documenttype: marketing drw. |
| | created by: | reviewed by: | projection: ISO-E scale: 1:2 |

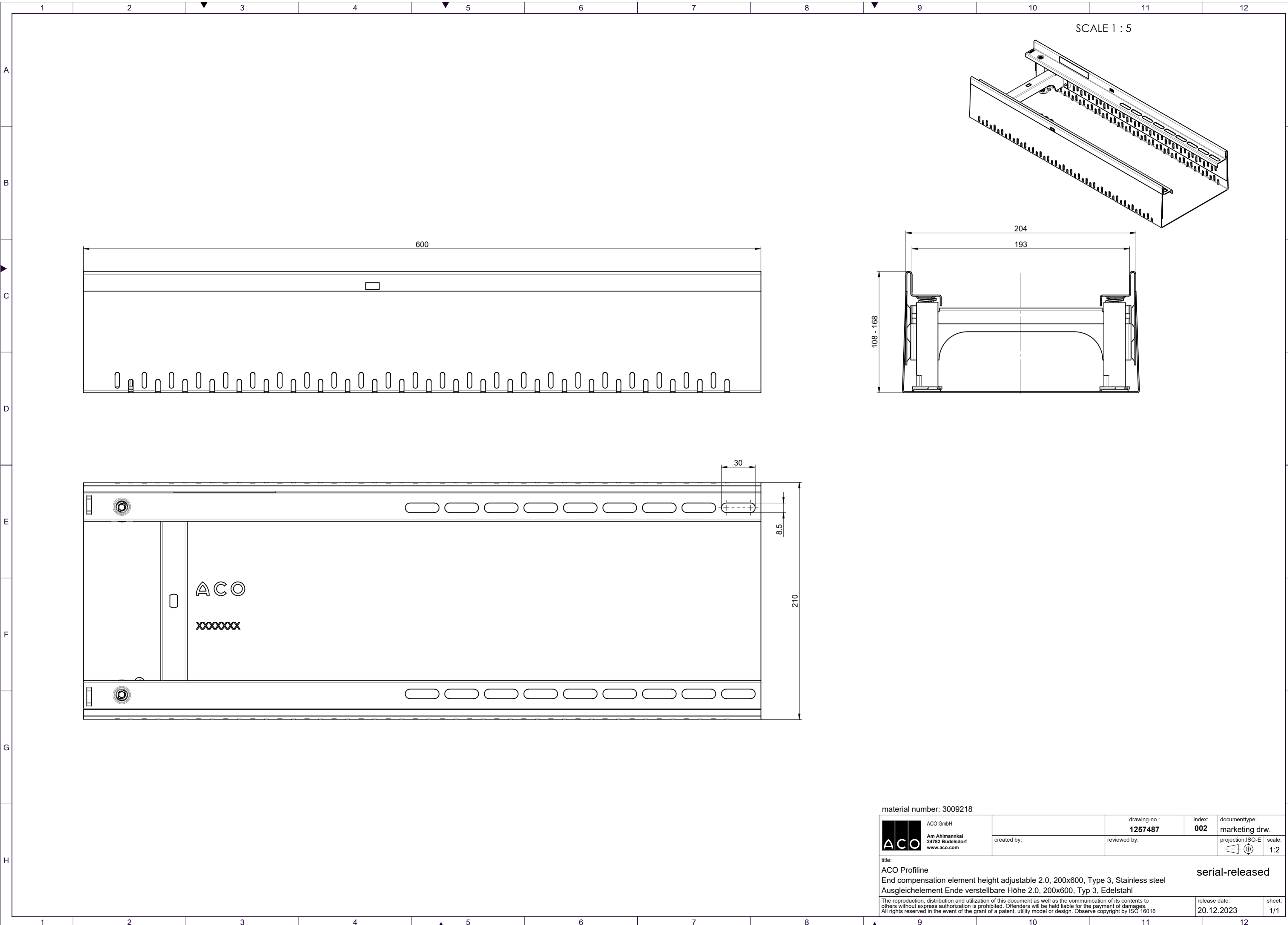
title:
ACO Profiline
 End compensation element height adjustable 2.0, 155x600, Type 3, Stainless steel
 Ausgleichelement Ende verstellbare Höhe 2.0, 155x600, Typ 3, Edelstahl

serial-released

The reproduction, distribution and utilization of this document as well as the communication of its contents to others without express authorization is prohibited. Offenders will be held liable for the payment of damages. All rights reserved in the event of the grant of a patent, utility model or design. Observe copyright by ISO 16016

release date: 20.12.2023 sheet: 1/1

1 2 3 4 5 6 7 8 9 10 11 12



SCALE 1 : 5

600

204

193

108 - 168

30

8.5

210

ACO

XXXXXXX

material number: 3009218



drawing-no.: 1257487
index: 002
created by:
reviewed by:

documenttype: marketing drw.
projection: ISO-E
scale: 1:2

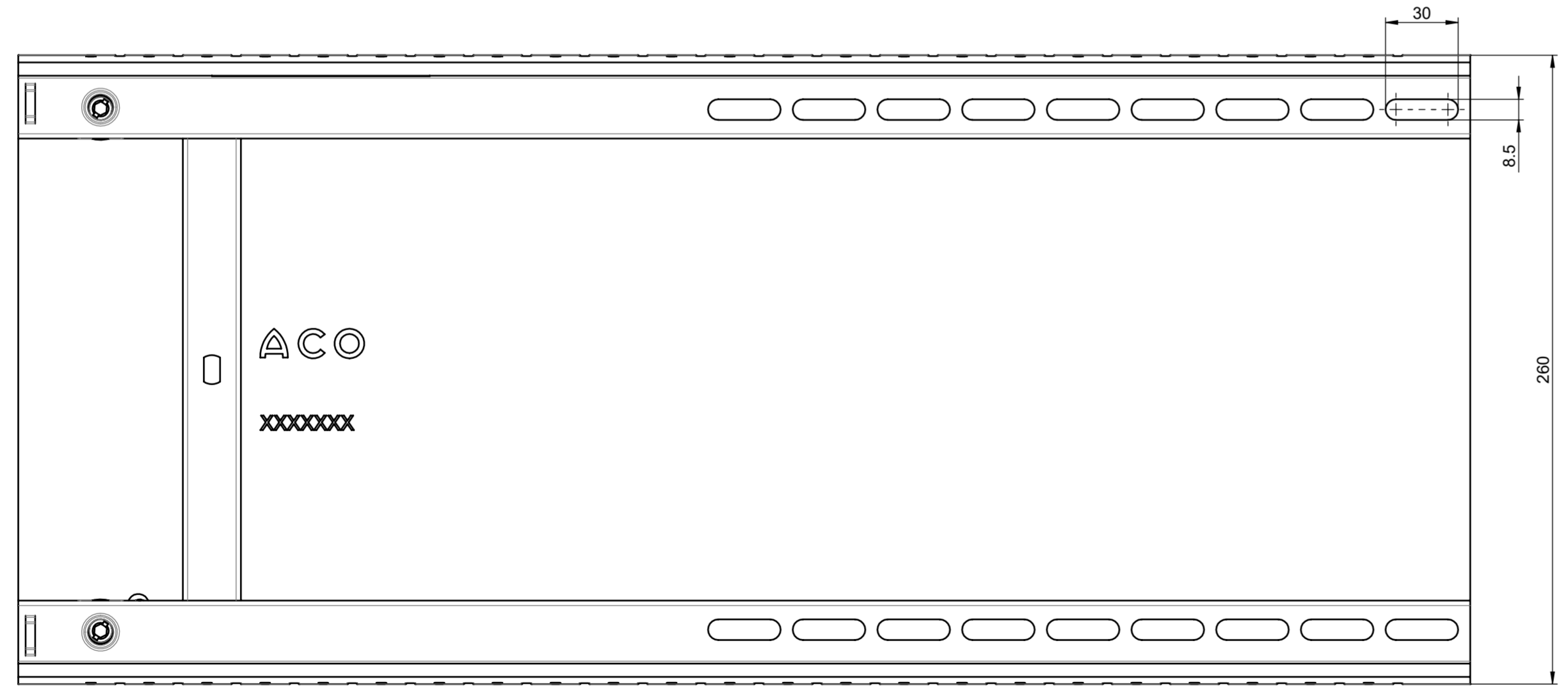
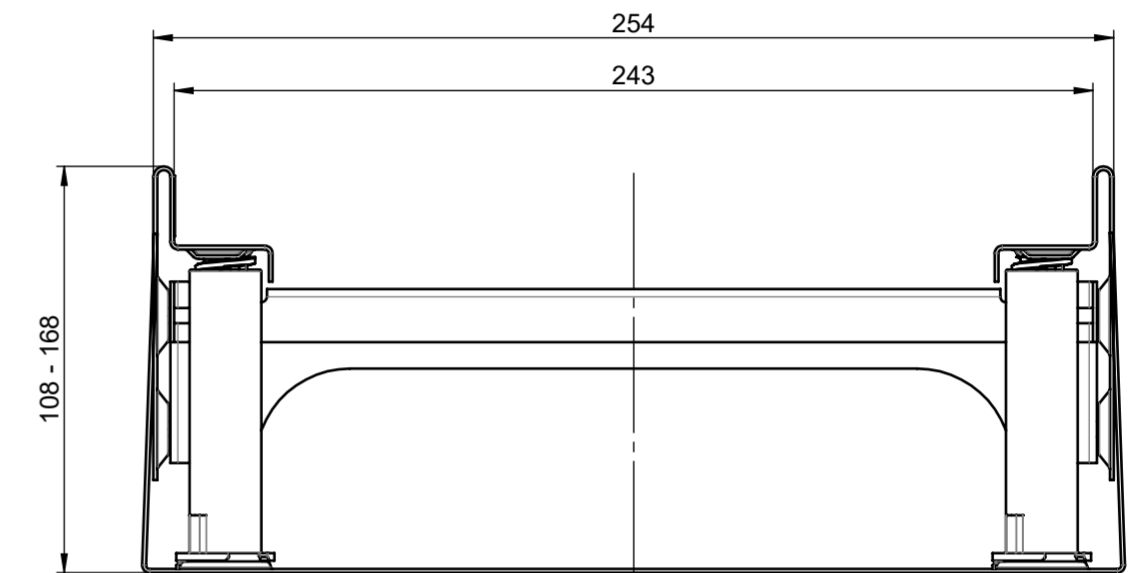
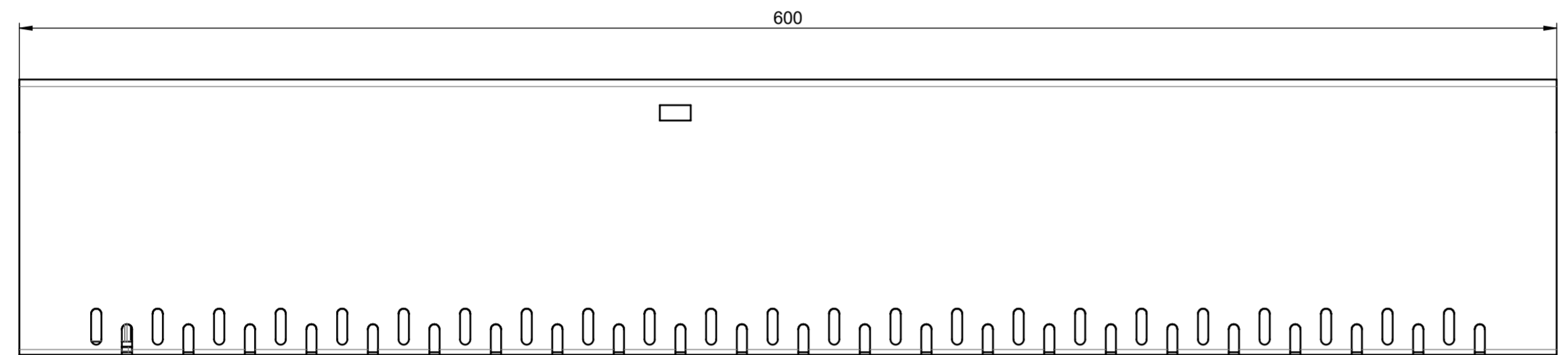
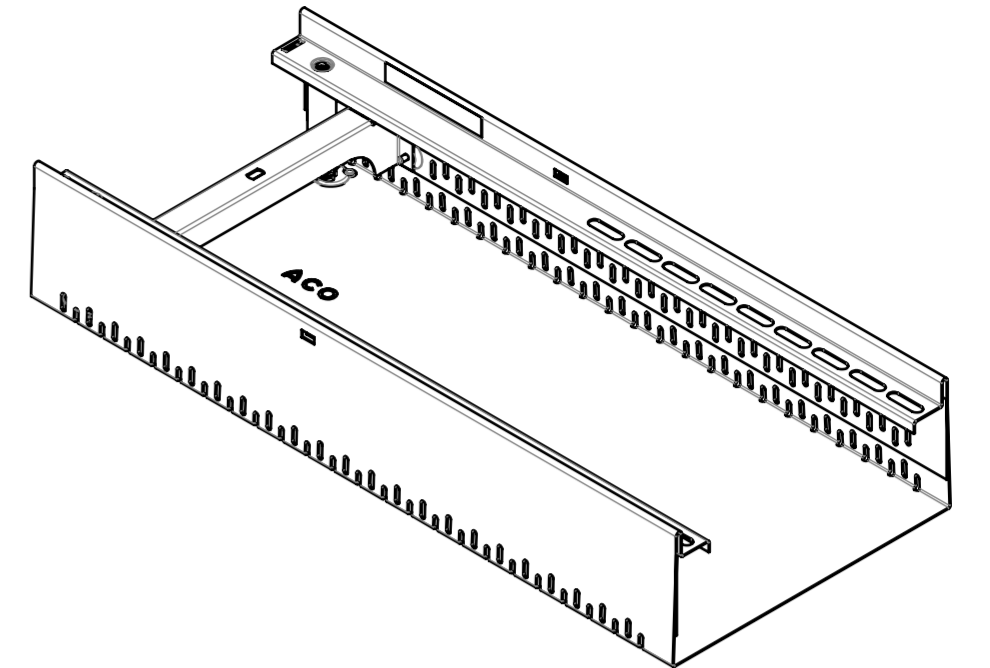
title: ACO Profiline
End compensation element height adjustable 2.0, 200x600, Type 3, Stainless steel
Ausgleichelement Ende verstellbare Höhe 2.0, 200x600, Typ 3, Edelstahl
serial-released

The reproduction, distribution and utilization of this document as well as the communication of its contents to others without express authorization is prohibited. Offenders will be held liable for the payment of damages. All rights reserved in the event of the grant of a patent, utility model or design. Observe copyright by ISO 16016
release date: 20.12.2023
sheet: 1/1


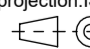
1 2 3 4 5 6 7 8 9 10 11 12

A
B
C
D
E
F
G
H

SCALE 1 : 5



material number: 3009227

| | | | |
|--|--------------------------------|----------------------|--|
|  ACO GmbH Am Ahlmannkai 24782 Büdelsdorf www.aco.com | drawing-no.: 1250289 | index: 002 | documenttype: marketing drw. |
| | created by: | reviewed by: | projection: ISO-E  |

title:
 ACO Profiline
 End compensation element height adjustable 2.0, 250x600, Type 3, Stainless steel
 Ausgleichelement Ende verstellbare Höhe 2.0, 250x600, Typ 3, Edelstahl

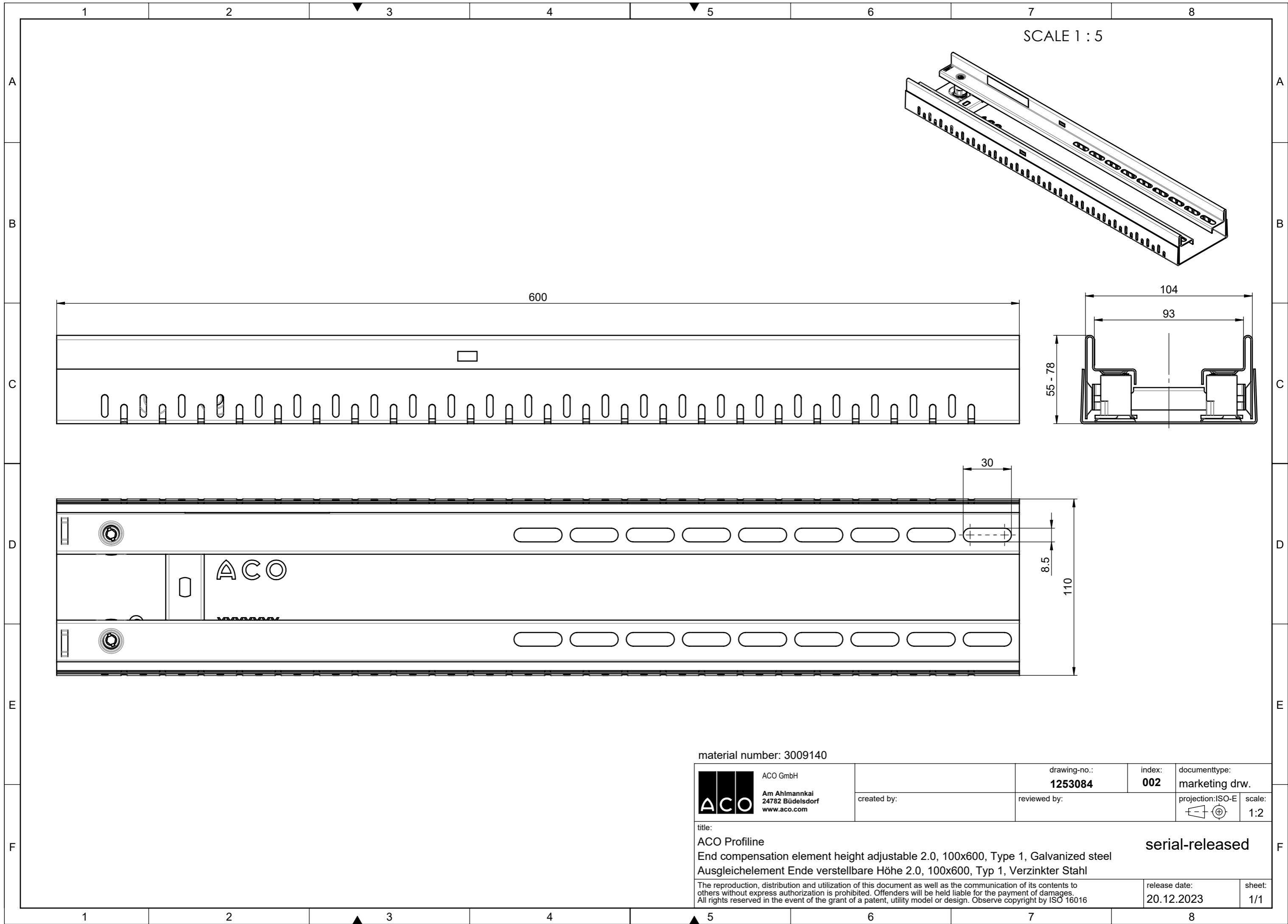
serial-released

The reproduction, distribution and utilization of this document as well as the communication of its contents to others without express authorization is prohibited. Offenders will be held liable for the payment of damages. All rights reserved in the event of the grant of a patent, utility model or design. Observe copyright by ISO 16016

release date:
 20.12.2023

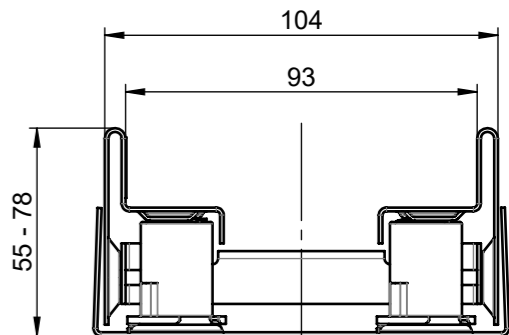
sheet:
 1/1

1 2 3 4 5 6 7 8 9 10 11 12

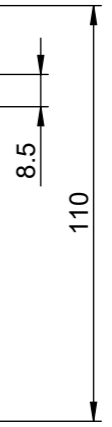


SCALE 1 : 5


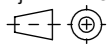
600



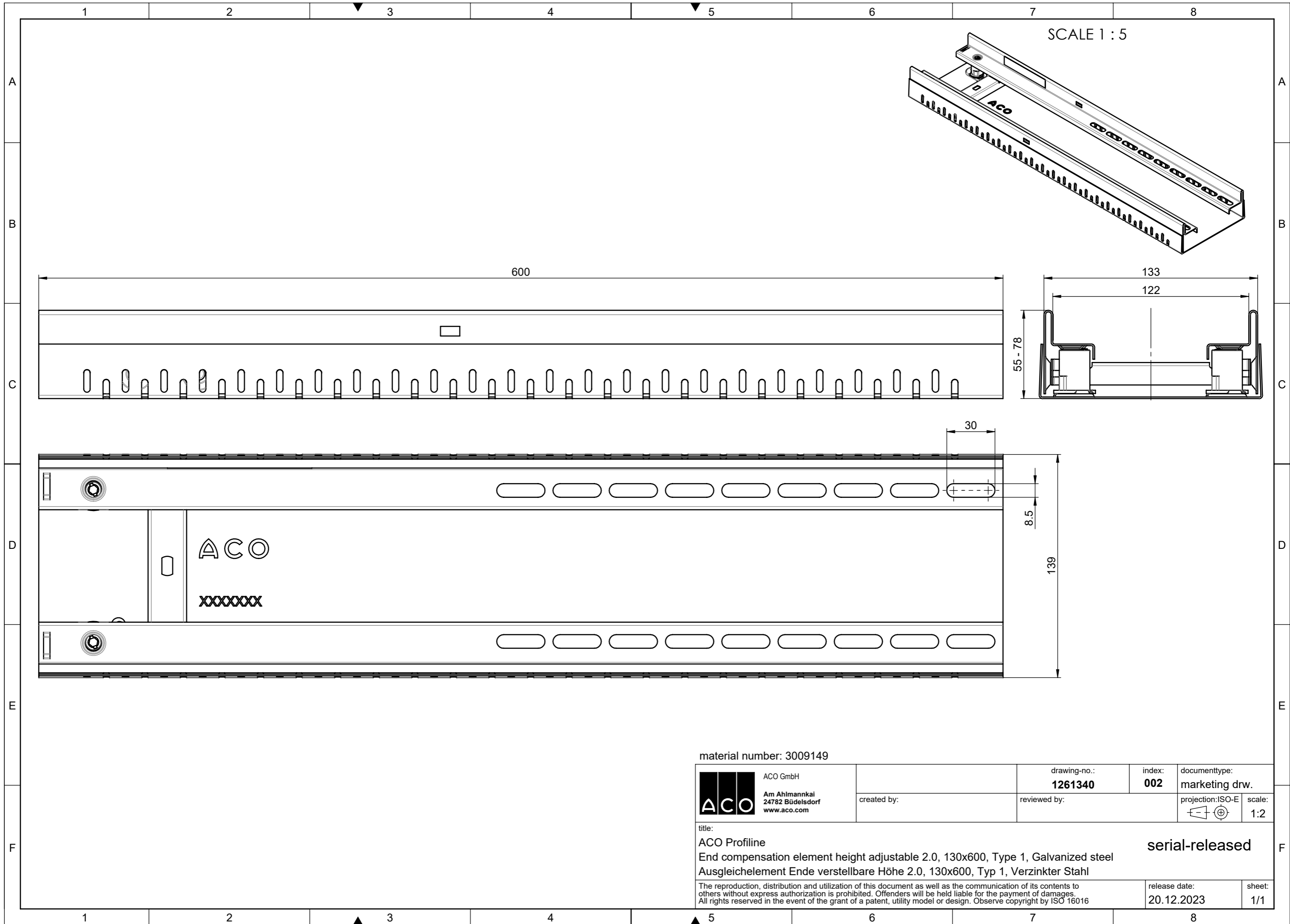
30




material number: 3009140

| | | | |
|---|--------------------------------|----------------------|---|
|  ACO GmbH Am Ahlmannkai 24782 Büdelsdorf www.aco.com | drawing-no.: 1253084 | index: 002 | documenttype: marketing drw. |
| | created by: | reviewed by: | projection:ISO-E  scale: 1:2 |
| title: ACO Proflin End compensation element height adjustable 2.0, 100x600, Type 1, Galvanized steel Ausgleichement Ende verstellbare Höhe 2.0, 100x600, Typ 1, Verzinkter Stahl | | | serial-released |
| <small>The reproduction, distribution and utilization of this document as well as the communication of its contents to others without express authorization is prohibited. Offenders will be held liable for the payment of damages. All rights reserved in the event of the grant of a patent, utility model or design. Observe copyright by ISO 16016</small> | | | release date: 20.12.2023 |
| | | | sheet: 1/1 |

S:\projekte\2019\001_A3_Verstell22



material number: 3009149

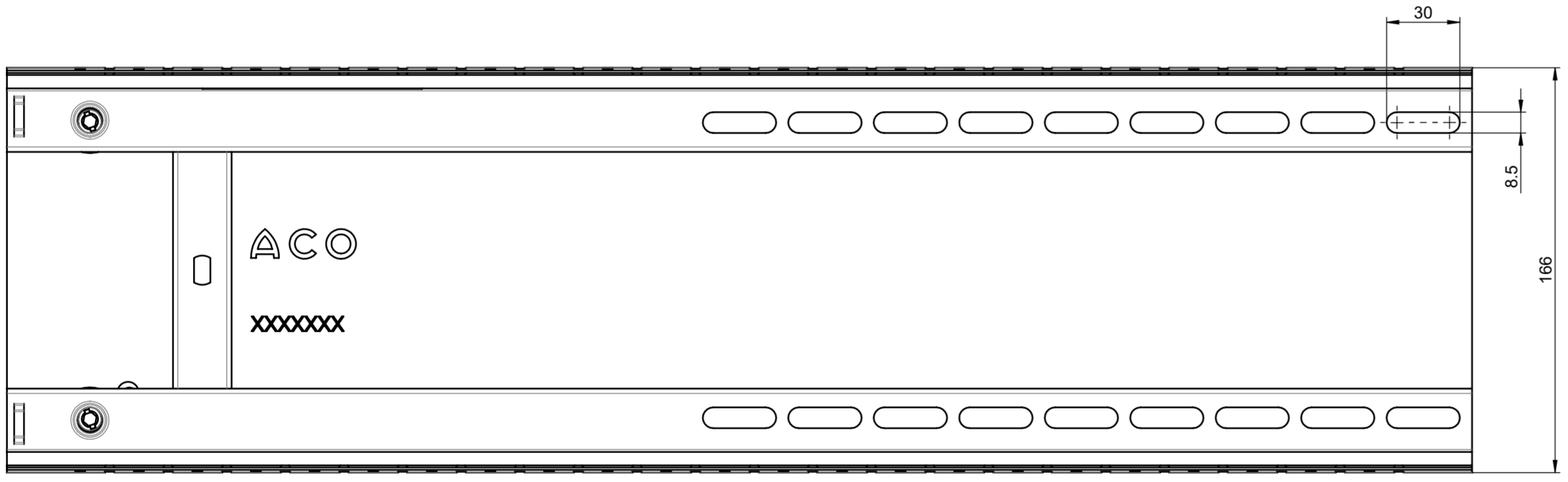
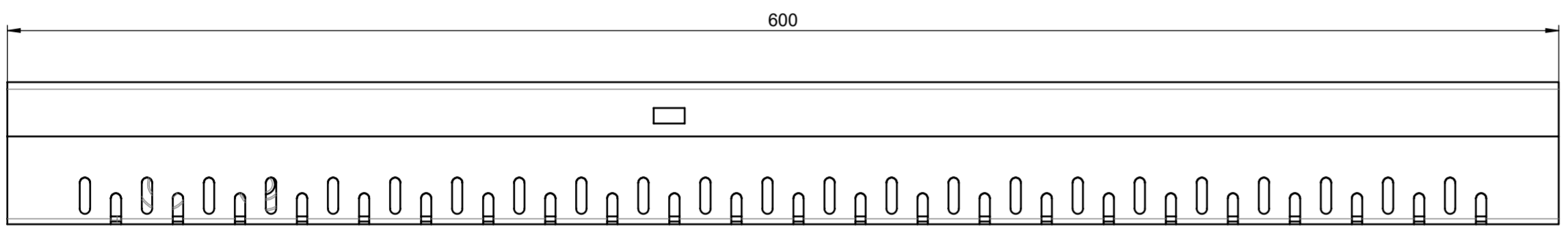
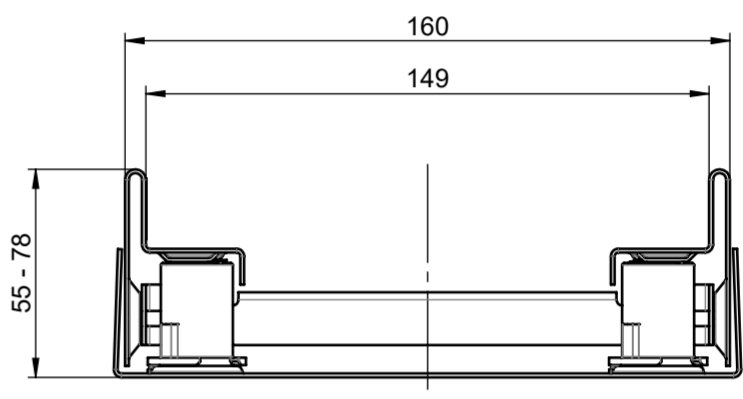
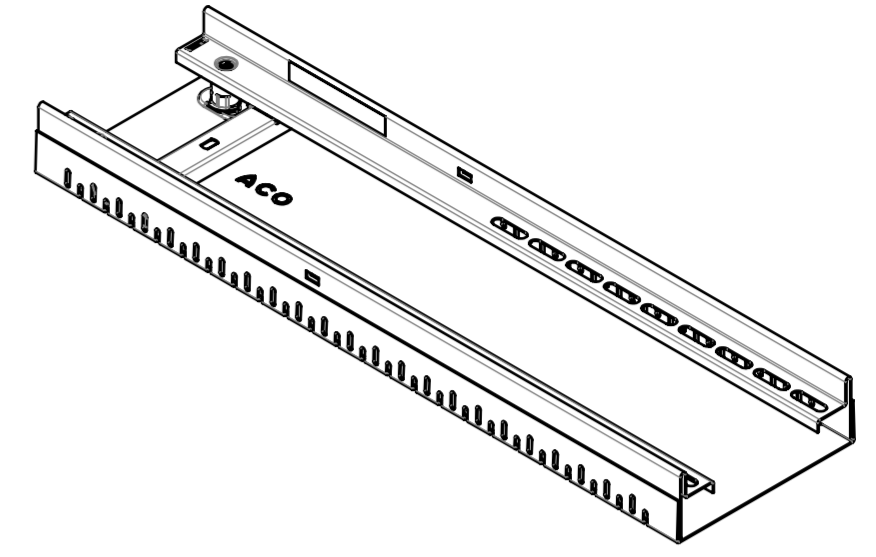
| | | | |
|---|--------------------------------|----------------------|------------------------------------|
|  ACO GmbH Am Ahlmannkai 24782 Büdelsdorf www.aco.com | drawing-no.: 1261340 | index: 002 | documenttype: marketing drw. |
| | created by: | reviewed by: | projection: ISO-E scale: 1:2 |
| title: ACO Profiline End compensation element height adjustable 2.0, 130x600, Type 1, Galvanized steel Ausgleichement Ende verstellbare Höhe 2.0, 130x600, Typ 1, Verzinkter Stahl | | | serial-released |
| <small>The reproduction, distribution and utilization of this document as well as the communication of its contents to others without express authorization is prohibited. Offenders will be held liable for the payment of damages. All rights reserved in the event of the grant of a patent, utility model or design. Observe copyright by ISO 16016</small> | | | release date: 20.12.2023 |
| | | | sheet: 1/1 |

S:\projekte\2019\001_A3_Verstell22


1 2 3 4 5 6 7 8 9 10 11 12

A
B
C
D
E
F
G
H

SCALE 1 : 5



material number: 3009158

| | | | |
|--|--------------------------------|----------------------|---------------------------------|
|  ACO GmbH Am Ahlmannkai 24782 Büdelsdorf www.aco.com | drawing-no.: 1257538 | index: 002 | documenttype: marketing drw. |
| | created by: | reviewed by: | projection: ISO-E scale: 1:2 |

title:
ACO Profiline
 End compensation element height adjustable 2.0, 155x600, Type 1, Galvanized steel
 Ausgleichelement Ende verstellbare Höhe 2.0, 155x600, Typ 1, Verzinkter Stahl

serial-released

The reproduction, distribution and utilization of this document as well as the communication of its contents to others without express authorization is prohibited. Offenders will be held liable for the payment of damages. All rights reserved in the event of the grant of a patent, utility model or design. Observe copyright by ISO 16016

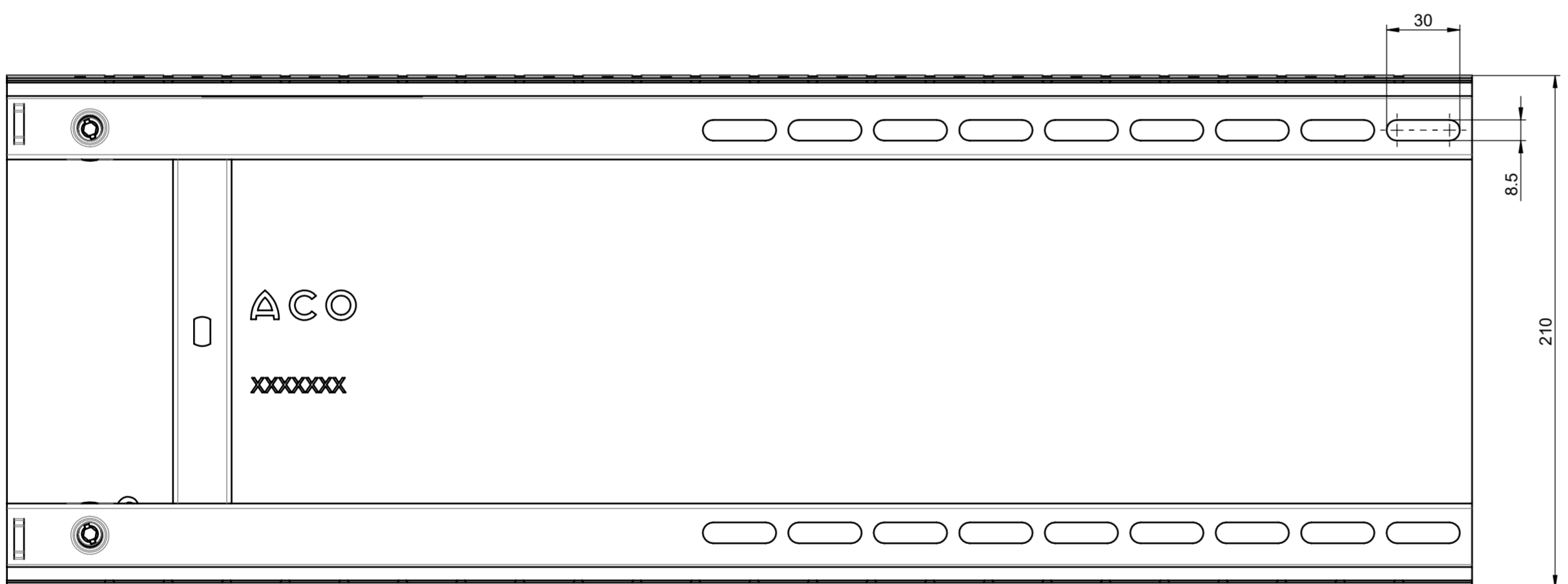
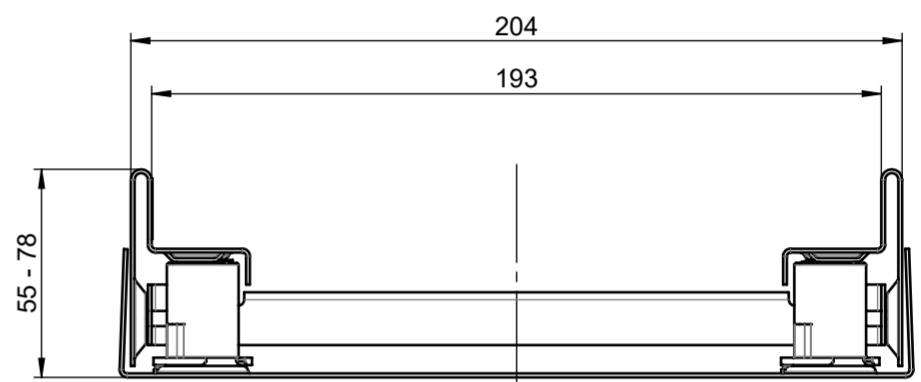
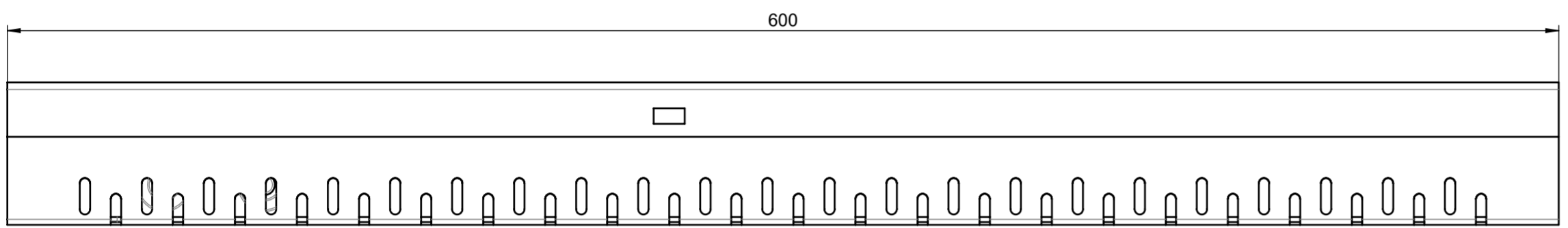
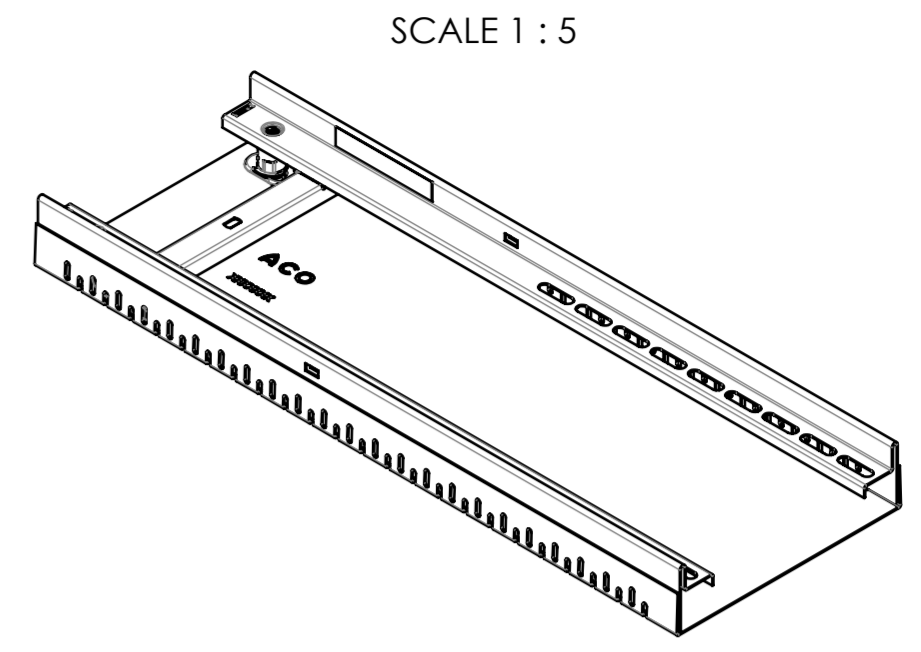
release date:
20.12.2023

sheet:
1/1


1 2 3 4 5 6 7 8 9 10 11 12

1 2 3 4 5 6 7 8 9 10 11 12

A
B
C
D
E
F
G
H



material number: 3009167

| | | | |
|--|--------------------------------|----------------------|---------------------------------|
|  ACO GmbH Am Ahlmannkai 24782 Büdelsdorf www.aco.com | drawing-no.: 1261373 | index: 002 | documenttype: marketing drw. |
| | created by: | reviewed by: | projection: ISO-E scale: 1:2 |

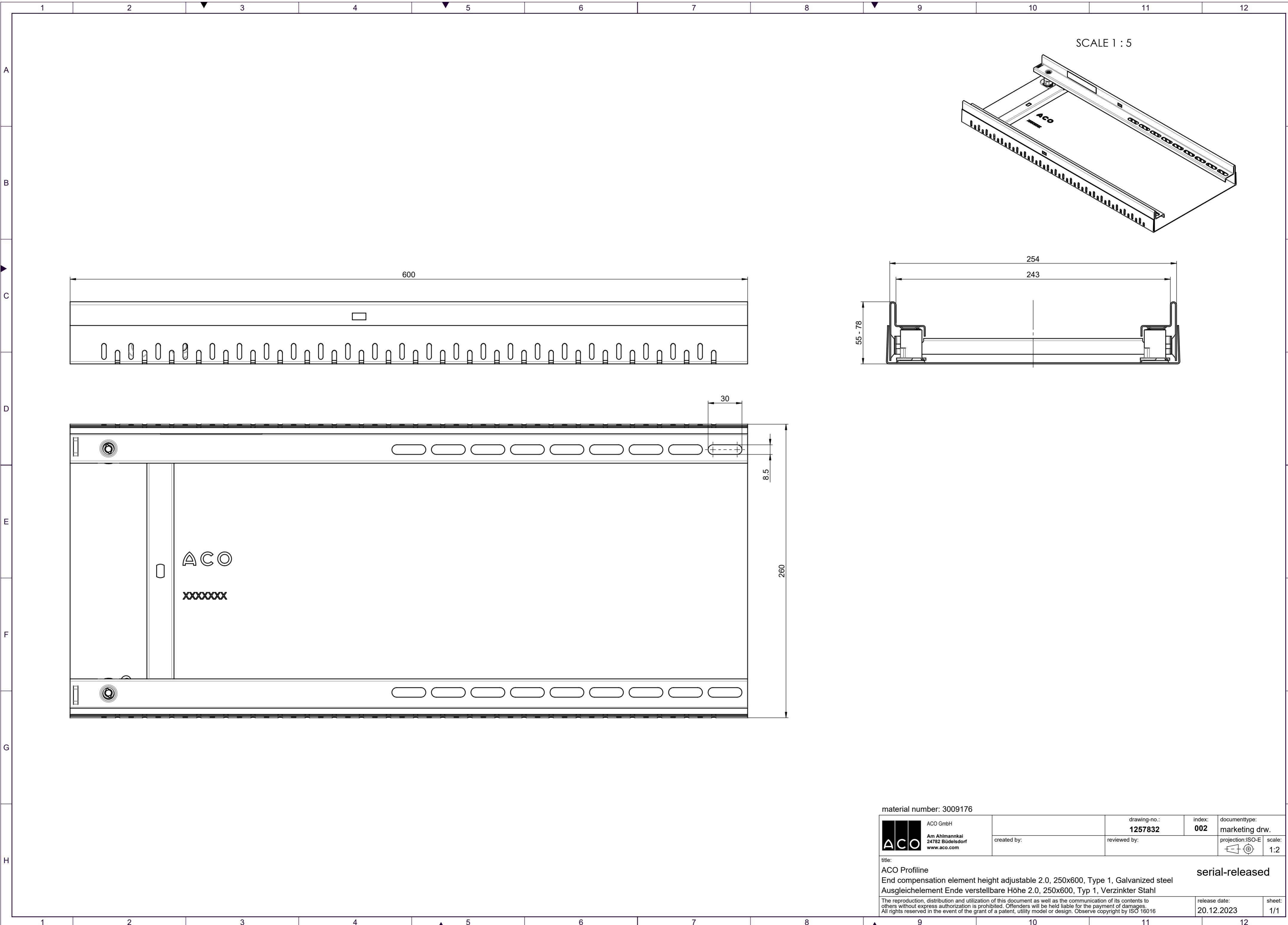
title:
ACO Profiline
 End compensation element height adjustable 2.0, 200x600, Type 1, Galvanized steel
 Ausgleichement Ende verstellbare Höhe 2.0, 200x600, Typ 1, Verzinkter Stahl

serial-released

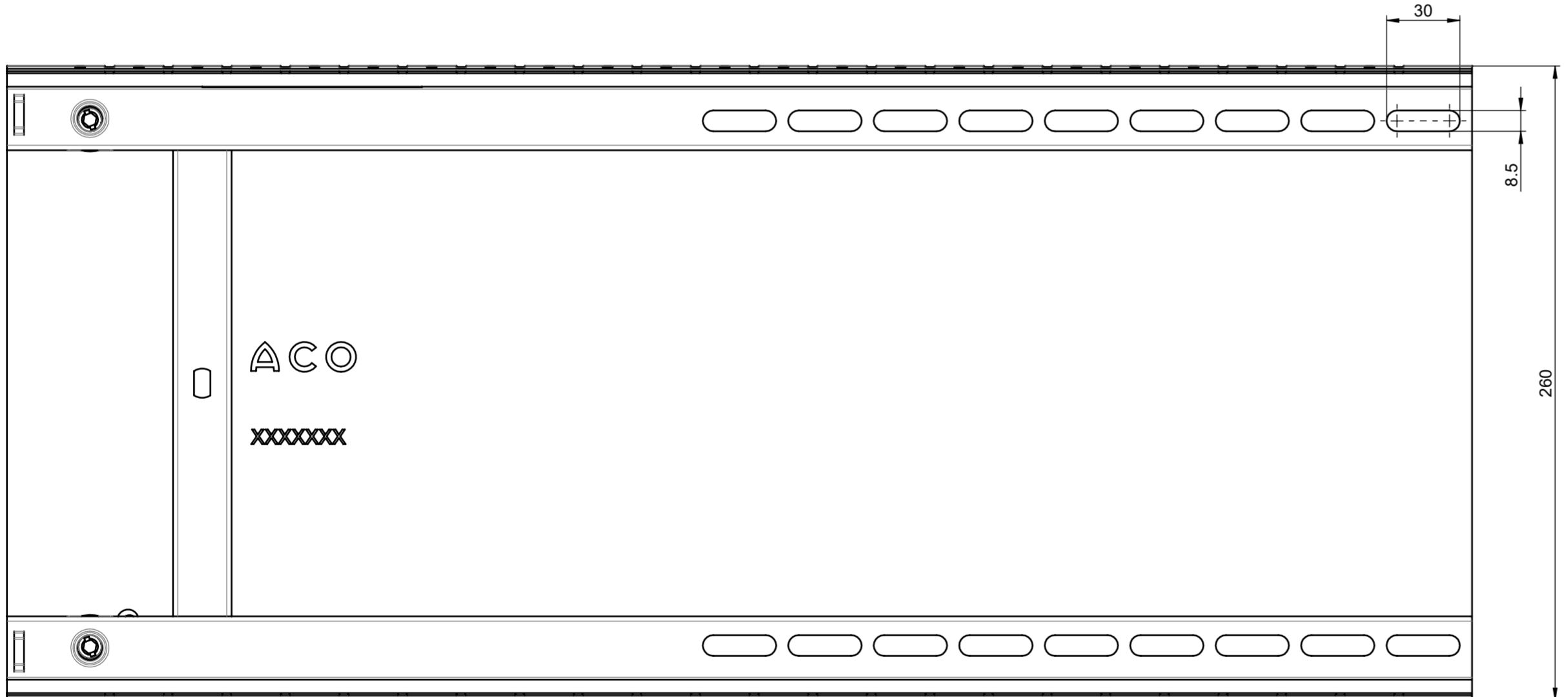
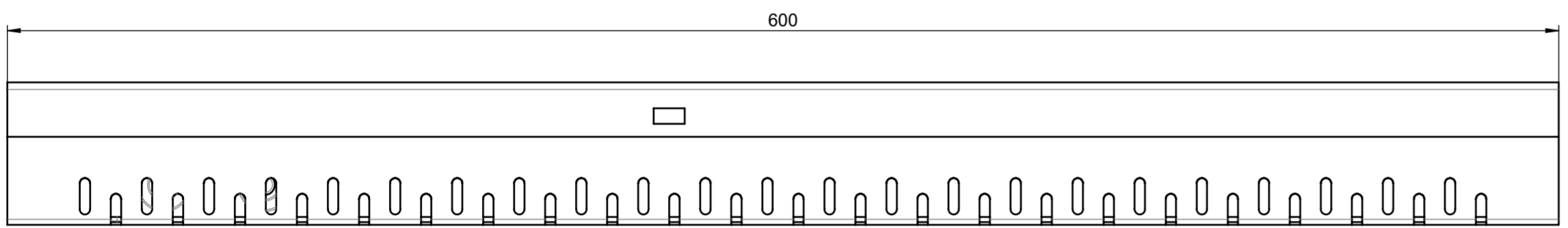
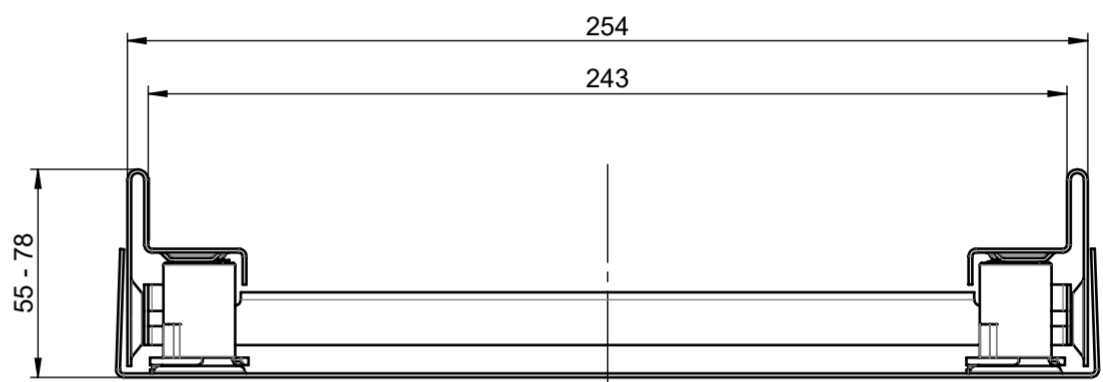
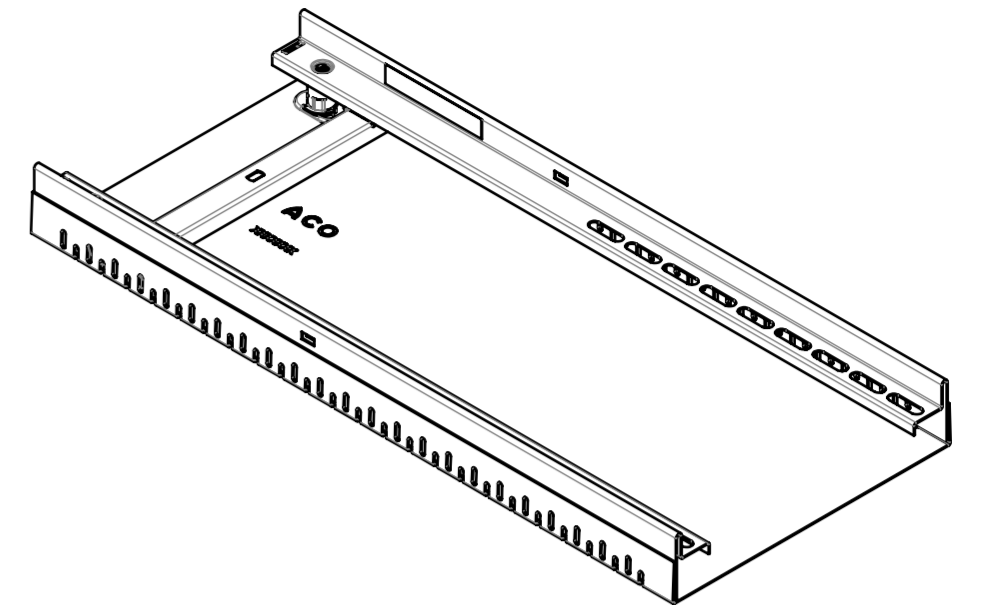
The reproduction, distribution and utilization of this document as well as the communication of its contents to others without express authorization is prohibited. Offenders will be held liable for the payment of damages. All rights reserved in the event of the grant of a patent, utility model or design. Observe copyright by ISO 16016

release date: 20.12.2023
sheet: 1/1


1 2 3 4 5 6 7 8 9 10 11 12



SCALE 1 : 5



material number: 3009176

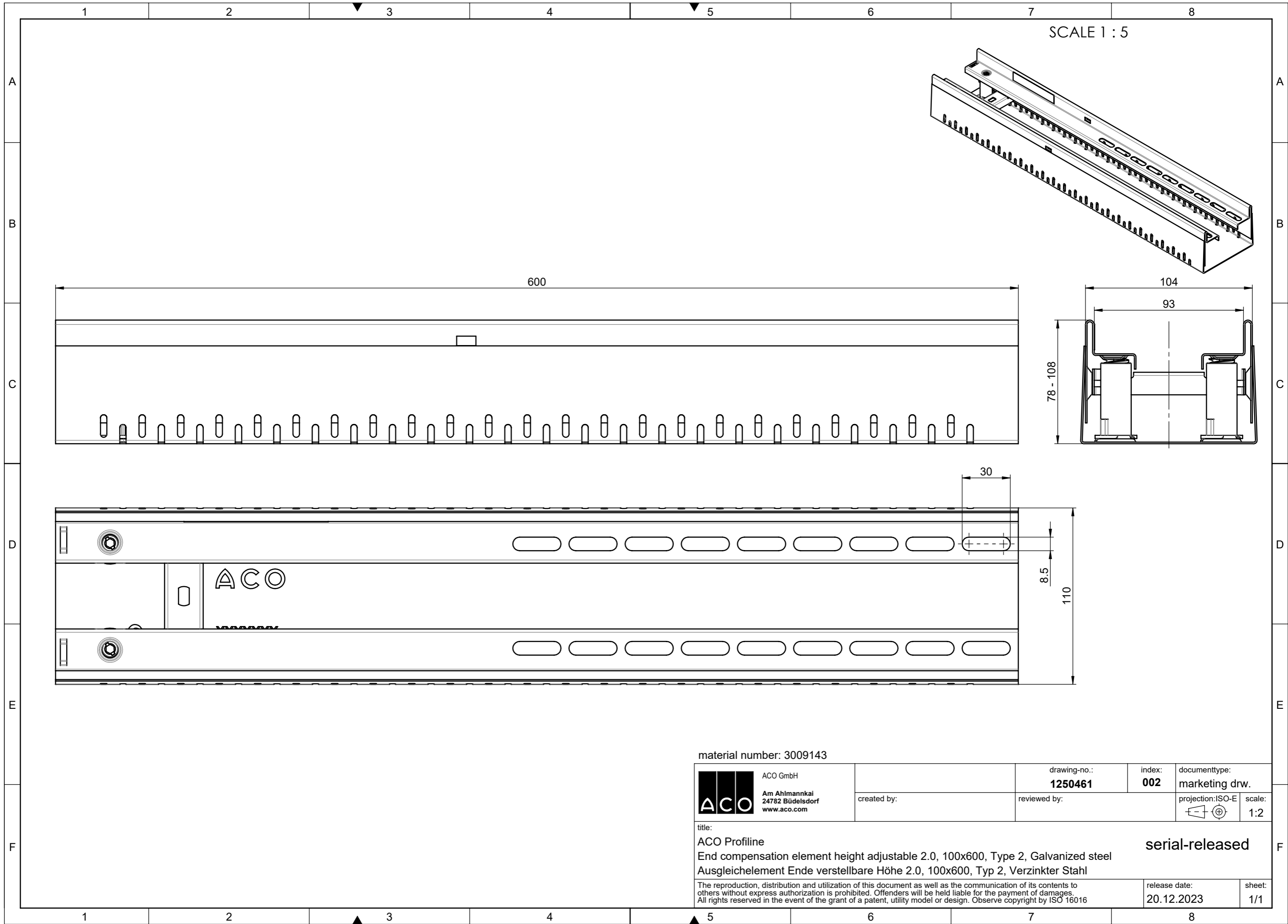
| | | | |
|--|--------------------------------|----------------------|---------------------------------|
|  ACO GmbH Am Ahlmannkai 24782 Büdelsdorf www.aco.com | drawing-no.: 1257832 | index: 002 | documenttype: marketing drw. |
| | created by: | reviewed by: | projection: ISO-E scale: 1:2 |

title:
ACO Profiline
 End compensation element height adjustable 2.0, 250x600, Type 1, Galvanized steel
 Ausgleichelement Ende verstellbare Höhe 2.0, 250x600, Typ 1, Verzinkter Stahl


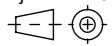
serial-released

The reproduction, distribution and utilization of this document as well as the communication of its contents to others without express authorization is prohibited. Offenders will be held liable for the payment of damages. All rights reserved in the event of the grant of a patent, utility model or design. Observe copyright by ISO 16016

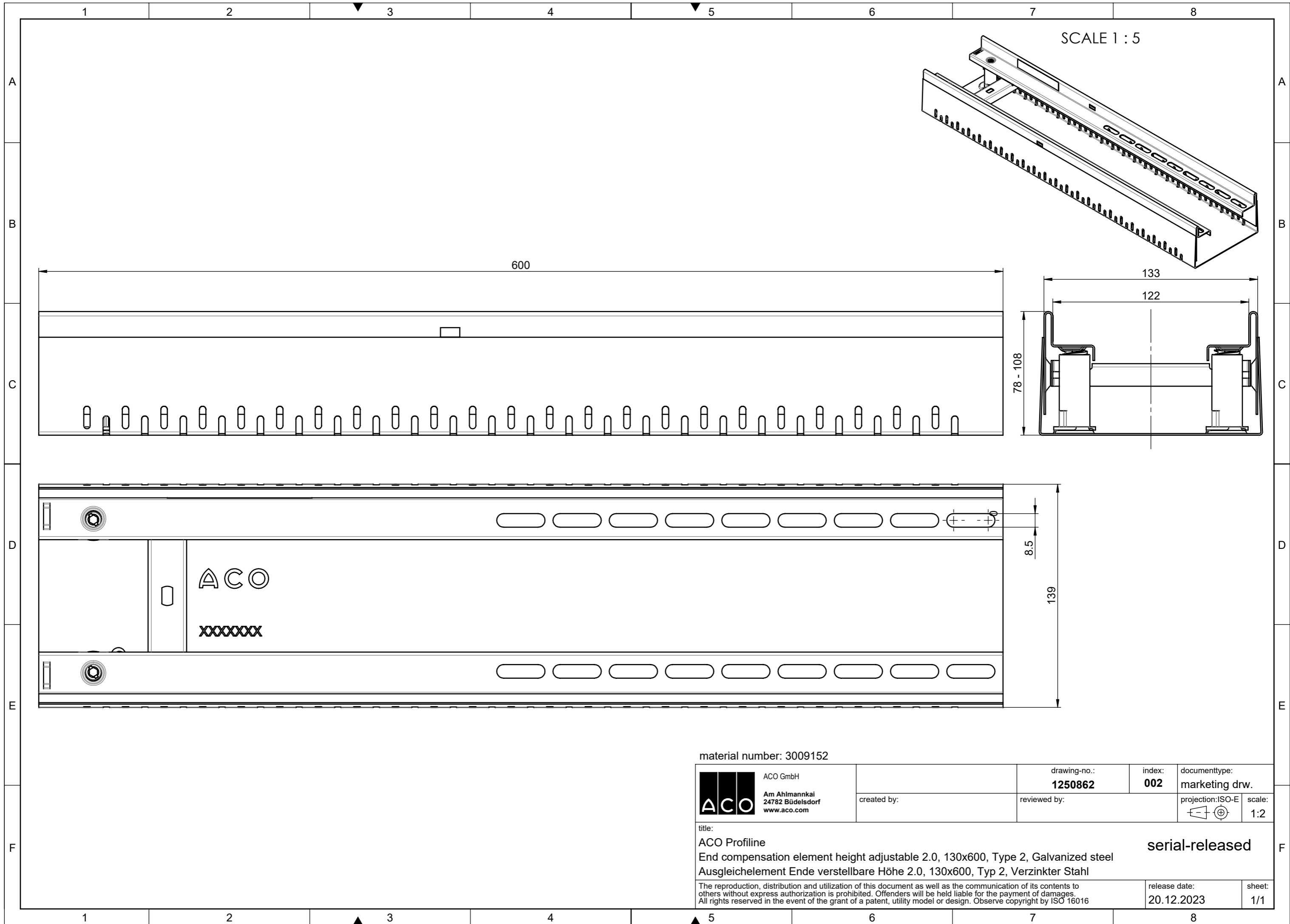
| | |
|-----------------------------|---------------|
| release date: 20.12.2023 | sheet: 1/1 |
|-----------------------------|---------------|




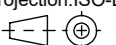
material number: 3009143

| | | | |
|---|--------------------------------|----------------------|--|
|  ACO GmbH Am Ahlmannkai 24782 Büdelsdorf www.aco.com | drawing-no.: 1250461 | index: 002 | documenttype: marketing drw. |
| | created by: | reviewed by: | projection: ISO-E  |
| title: ACO Profiline End compensation element height adjustable 2.0, 100x600, Type 2, Galvanized steel Ausgleichement Ende verstellbare Höhe 2.0, 100x600, Typ 2, Verzinkter Stahl | | | serial-released |
| <small>The reproduction, distribution and utilization of this document as well as the communication of its contents to others without express authorization is prohibited. Offenders will be held liable for the payment of damages. All rights reserved in the event of the grant of a patent, utility model or design. Observe copyright by ISO 16016</small> | | | release date: 20.12.2023 |
| | | | sheet: 1/1 |

S:\projekte\2019\001_A3_Verstell22



material number: 3009152

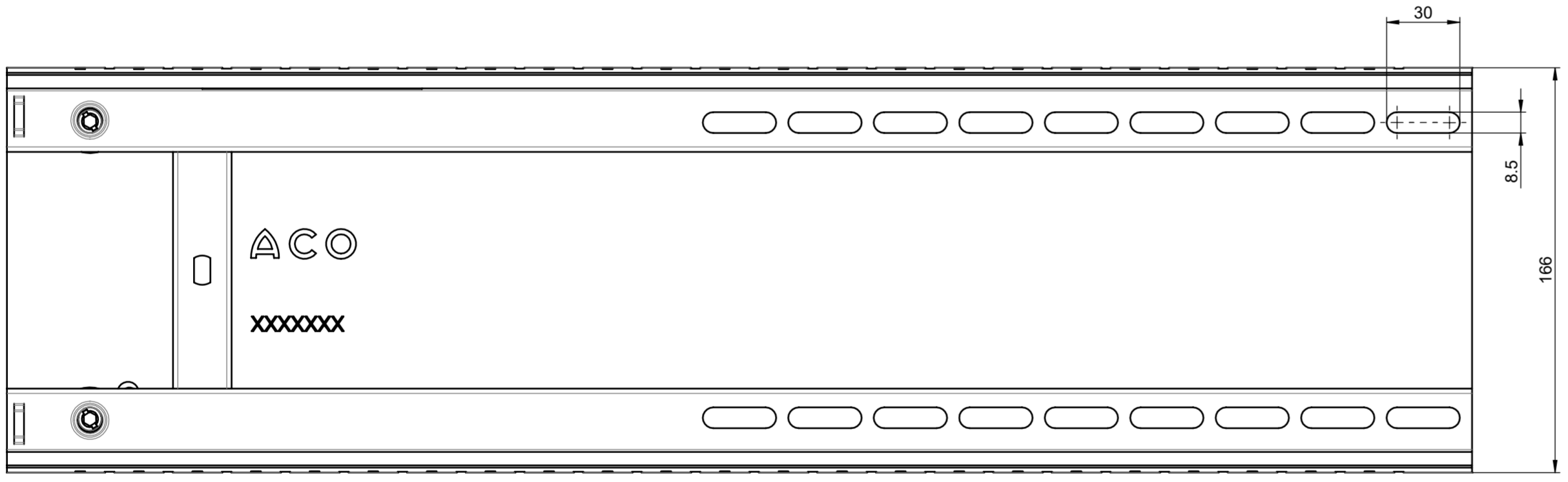
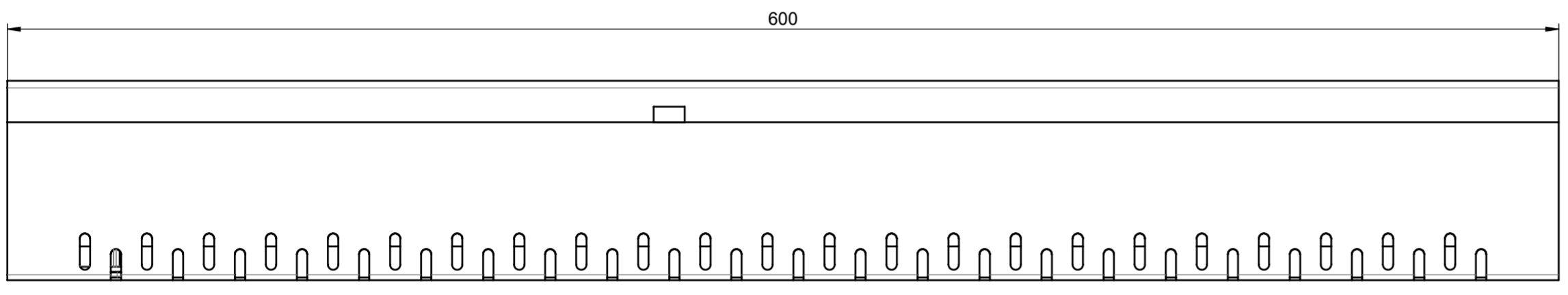
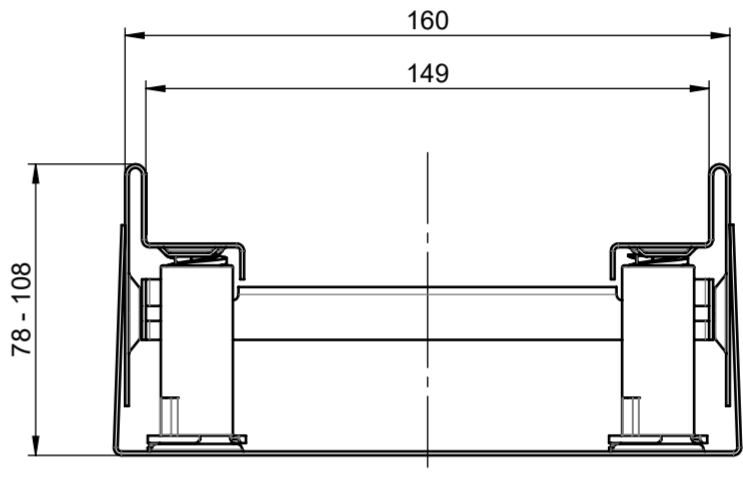
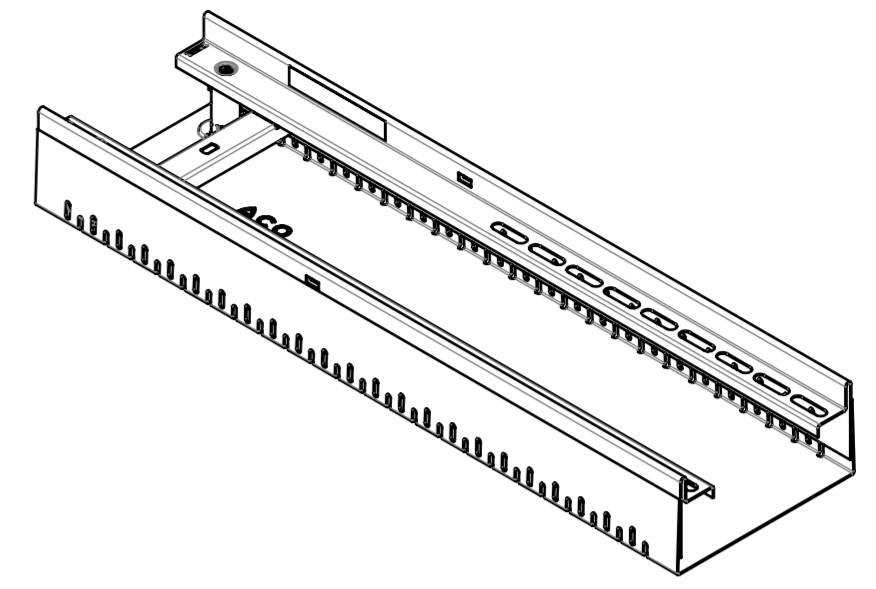
| | | | |
|---|--------------------------------|----------------------|--|
|  ACO GmbH Am Ahlmannkai 24782 Büdelsdorf www.aco.com | drawing-no.: 1250862 | index: 002 | documenttype: marketing drw. |
| | created by: | reviewed by: | projection: ISO-E  |
| title: ACO Proffline End compensation element height adjustable 2.0, 130x600, Type 2, Galvanized steel Ausgleichelement Ende verstellbare Höhe 2.0, 130x600, Typ 2, Verzinkter Stahl | | | serial-released |
| <small>The reproduction, distribution and utilization of this document as well as the communication of its contents to others without express authorization is prohibited. Offenders will be held liable for the payment of damages. All rights reserved in the event of the grant of a patent, utility model or design. Observe copyright by ISO 16016</small> | | | release date: 20.12.2023 |
| | | | sheet: 1/1 |

S:\projekte\2019\001_A3_Versico\22


1 2 3 4 5 6 7 8 9 10 11 12

A
B
C
D
E
F
G
H

SCALE 1 : 5



material number: 3009161

| | | | |
|--|--------------------------------|----------------------|---------------------------------|
|  ACO GmbH Am Ahlmannkai 24782 Búdelsdorf www.aco.com | drawing-no.: 1262945 | index: 002 | documenttype: marketing drw. |
| | created by: | reviewed by: | projection: ISO-E scale: 1:2 |

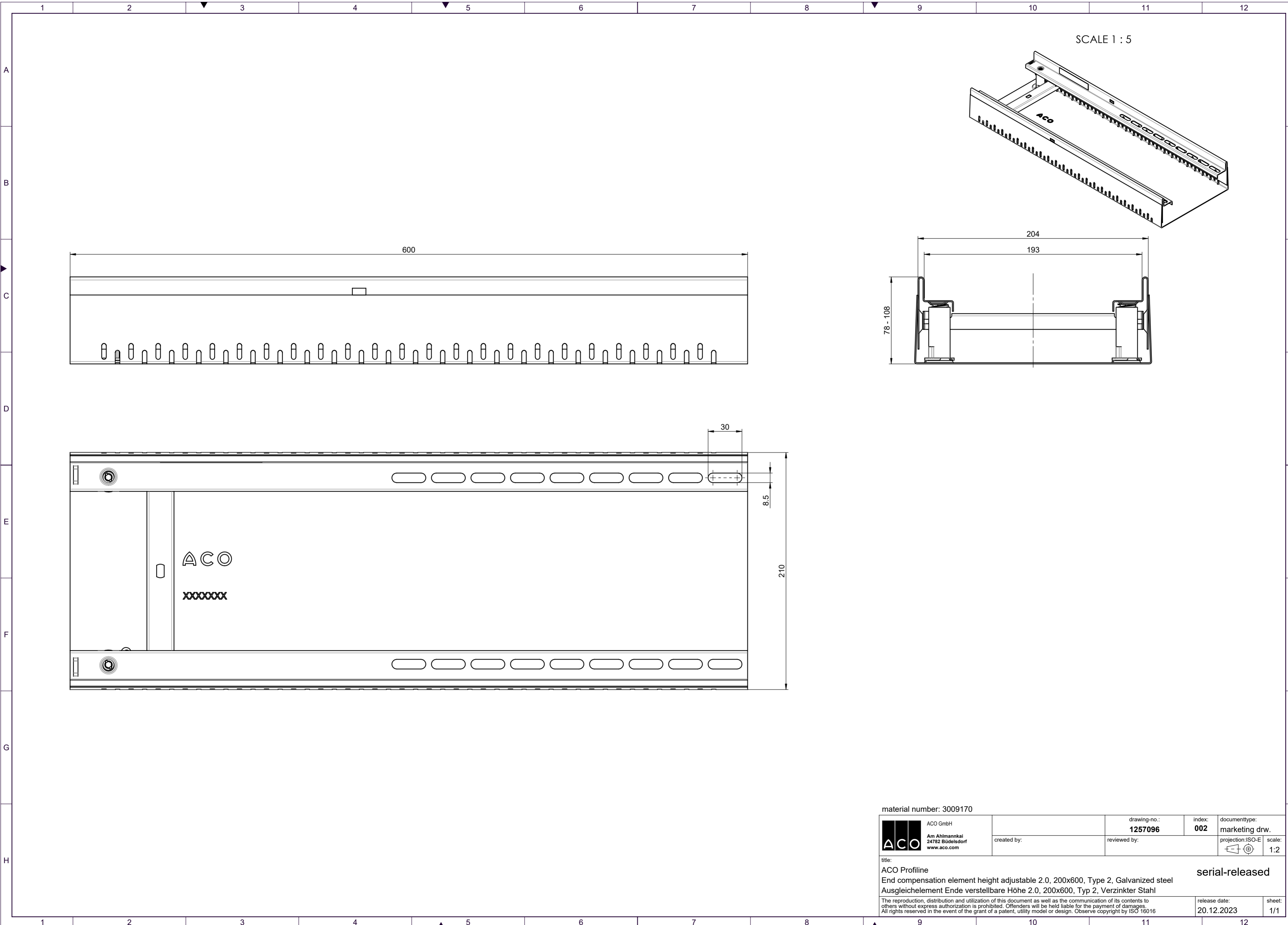
title:
ACO Profiline
 End compensation element height adjustable 2.0, 155x600, Type 2, Galvanized steel
 Ausgleichelement Ende verstellbare Höhe 2.0, 155x600, Typ 2, Verzinkter Stahl

serial-released

The reproduction, distribution and utilization of this document as well as the communication of its contents to others without express authorization is prohibited. Offenders will be held liable for the payment of damages. All rights reserved in the event of the grant of a patent, utility model or design. Observe copyright by ISO 16016

release date: 20.12.2023 sheet: 1/1

1 2 3 4 5 6 7 8 9 10 11 12



SCALE 1 : 5

600

204

193

78 - 108

30

8.5

210

ACO

XXXXXXXX

material number: 3009170

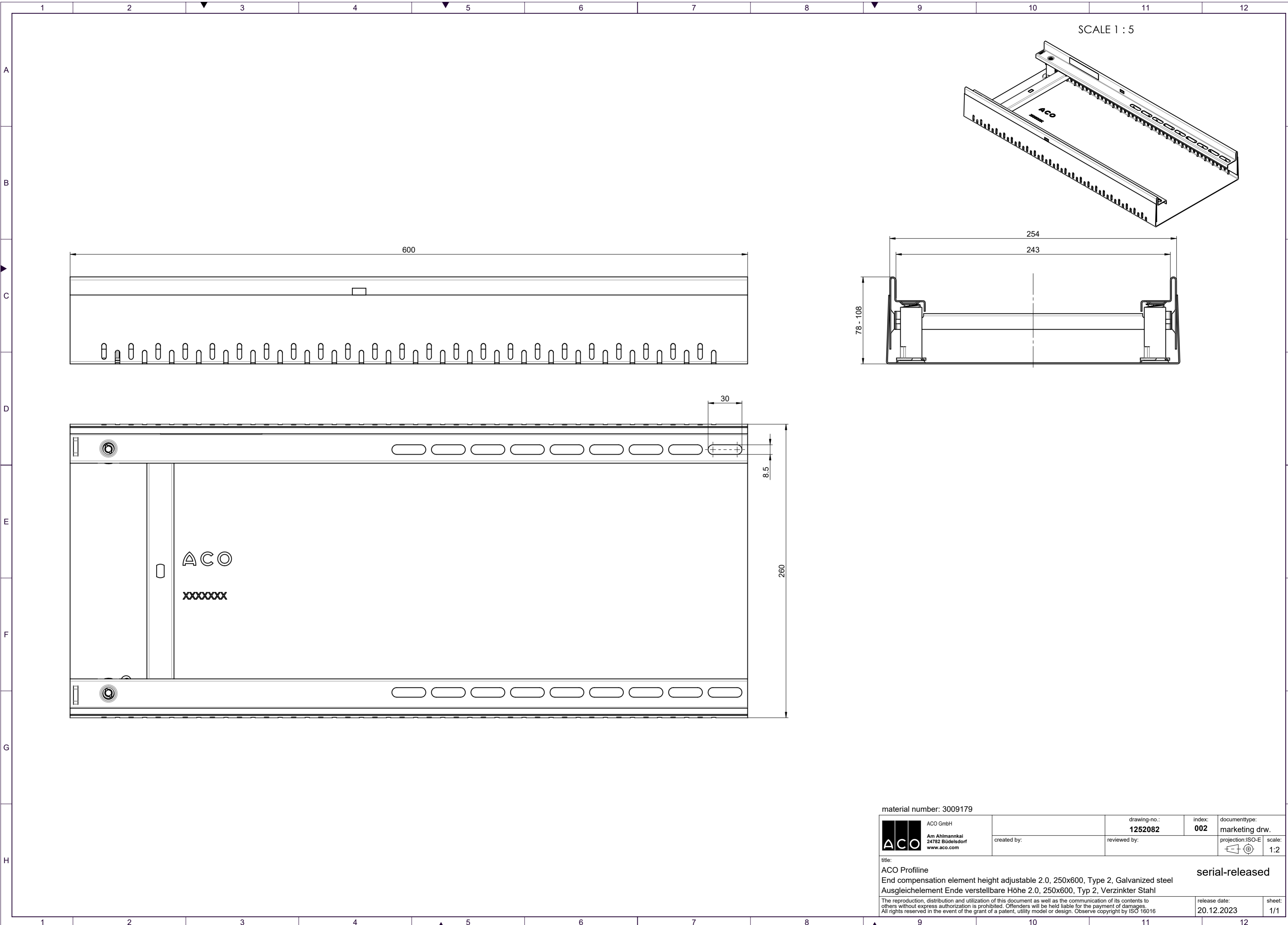


drawing-no.: 1257096
index: 002
created by:
reviewed by:

documenttype: marketing drw.
projection: ISO-E
scale: 1:2

title: ACO Profiline
End compensation element height adjustable 2.0, 200x600, Type 2, Galvanized steel
Ausgleichelement Ende verstellbare Höhe 2.0, 200x600, Typ 2, Verzinkter Stahl
serial-released

The reproduction, distribution and utilization of this document as well as the communication of its contents to others without express authorization is prohibited. Offenders will be held liable for the payment of damages. All rights reserved in the event of the grant of a patent, utility model or design. Observe copyright by ISO 16016
release date: 20.12.2023
sheet: 1/1



SCALE 1 : 5

600

254

243

78 - 108

30

8.5

260

ACO

XXXXXXX

material number: 3009179

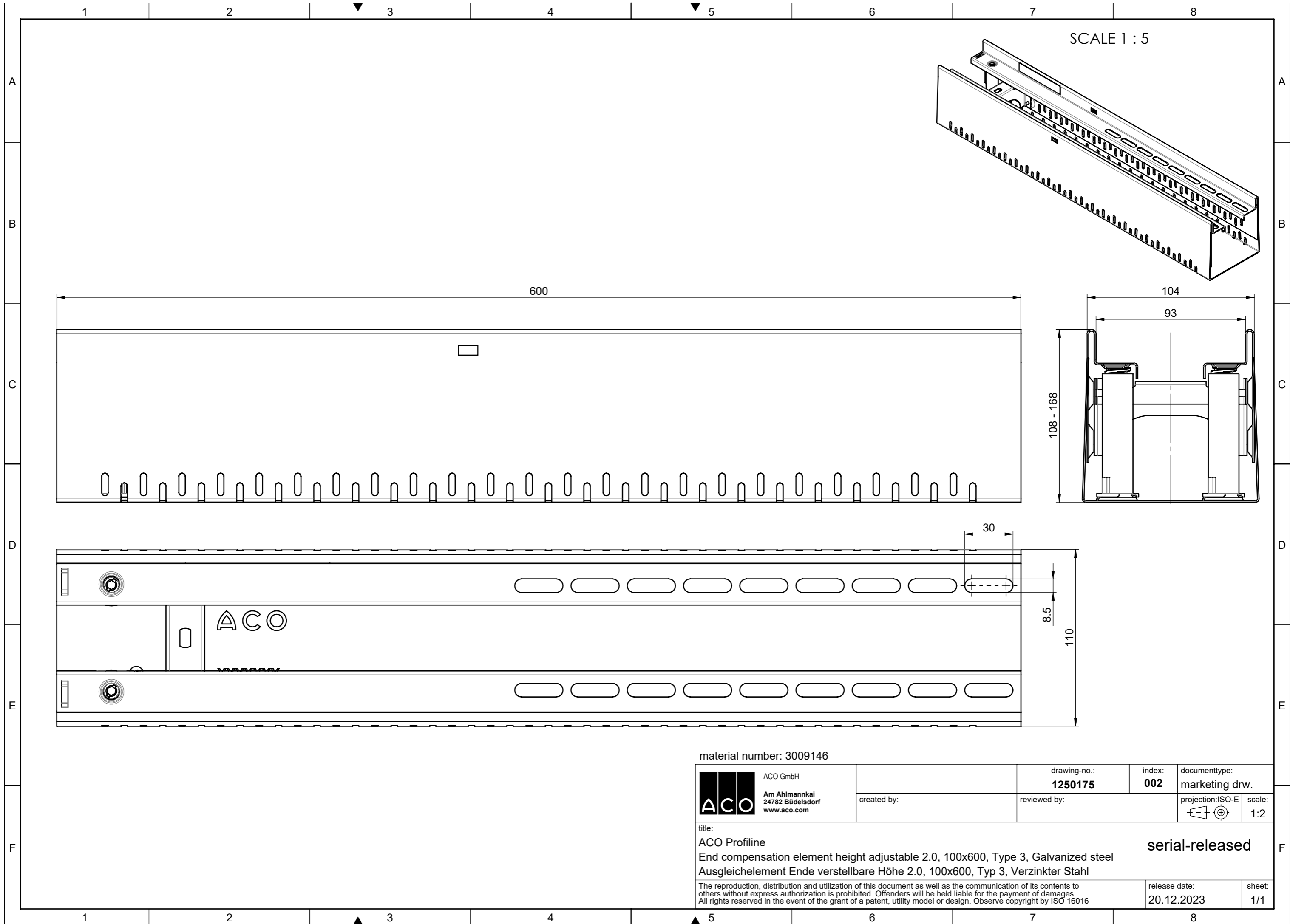


drawing-no.: 1252082
index: 002
created by:
reviewed by:


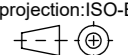
documenttype: marketing drw.
projection: ISO-E
scale: 1:2

title: ACO Profiline
End compensation element height adjustable 2.0, 250x600, Type 2, Galvanized steel
Ausgleichelement Ende verstellbare Höhe 2.0, 250x600, Typ 2, Verzinkter Stahl
serial-released

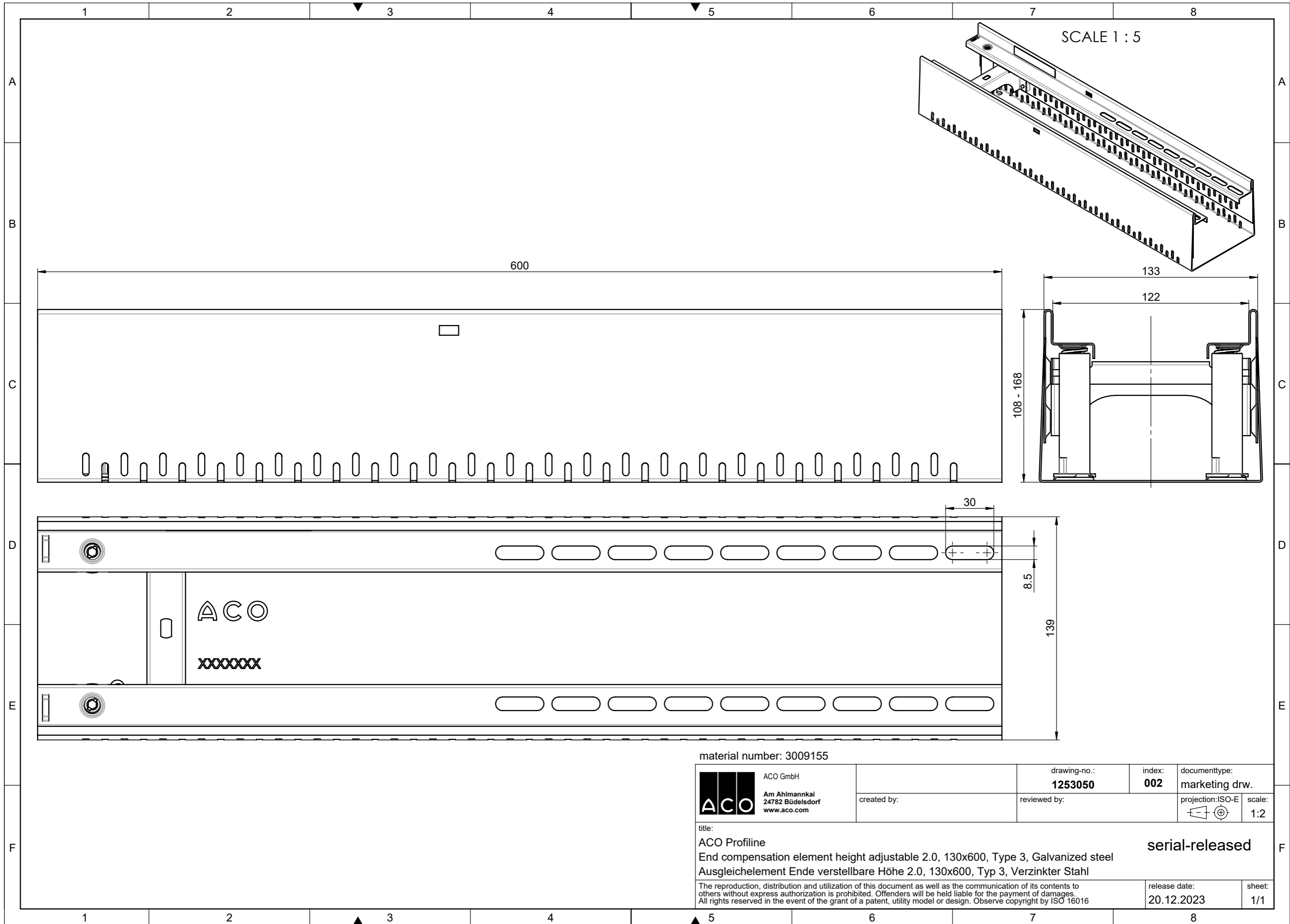
The reproduction, distribution and utilization of this document as well as the communication of its contents to others without express authorization is prohibited. Offenders will be held liable for the payment of damages. All rights reserved in the event of the grant of a patent, utility model or design. Observe copyright by ISO 16016
release date: 20.12.2023
sheet: 1/1




material number: 3009146

| | | | | |
|---|--------------|---|-----------------------------|---------------------------------|
|  ACO GmbH Am Ahlmannkai 24782 Büdelsdorf www.aco.com | created by: | drawing-no.: 1250175 | index: 002 | documenttype: marketing drw. |
| | reviewed by: |  scale: 1:2 | | |
| title: ACO Proflin End compensation element height adjustable 2.0, 100x600, Type 3, Galvanized steel Ausgleichelement Ende verstellbare Höhe 2.0, 100x600, Typ 3, Verzinkter Stahl | | | | serial-released |
| <small>The reproduction, distribution and utilization of this document as well as the communication of its contents to others without express authorization is prohibited. Offenders will be held liable for the payment of damages. All rights reserved in the event of the grant of a patent, utility model or design. Observe copyright by ISO 16016</small> | | | release date: 20.12.2023 | sheet: 1/1 |

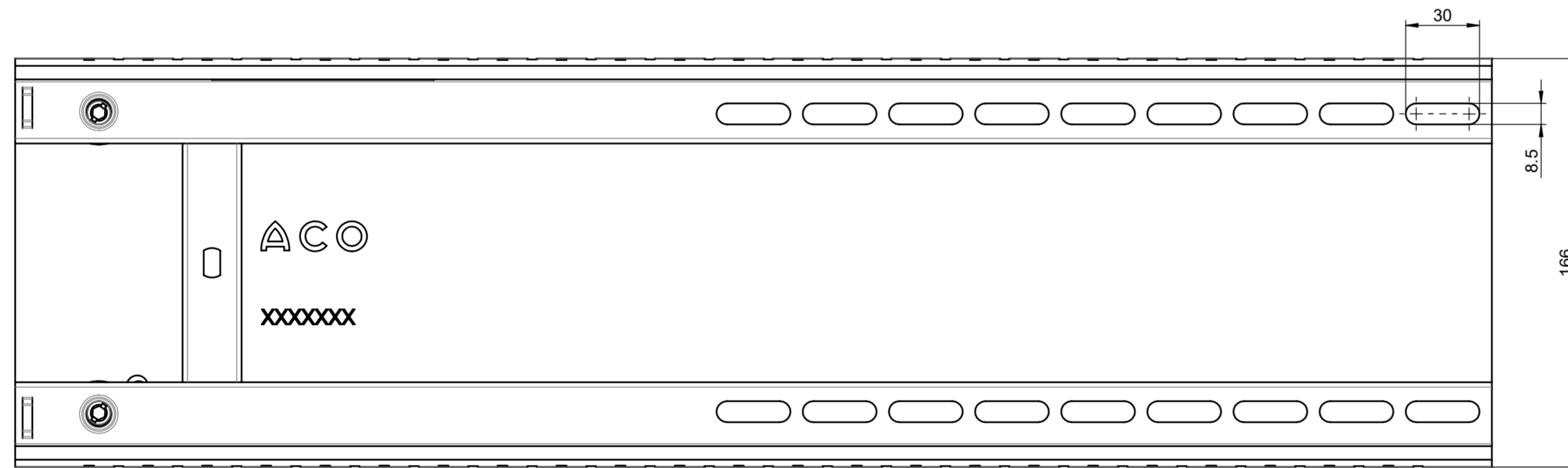
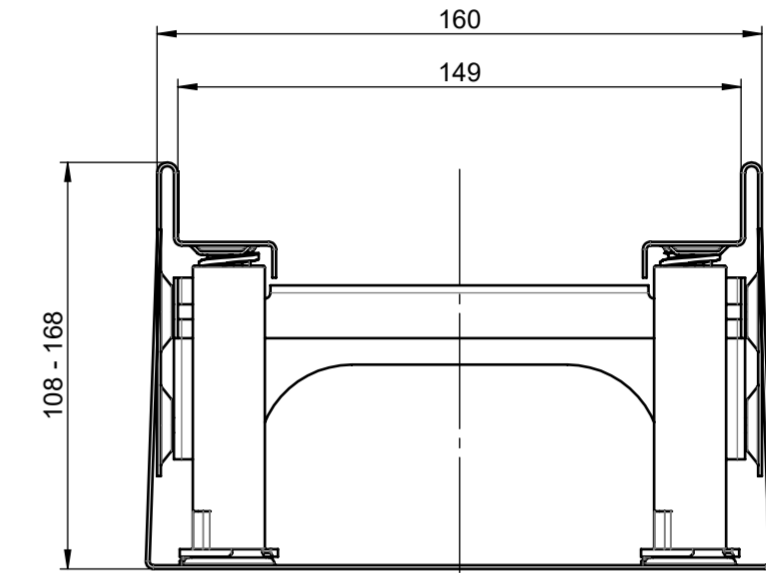
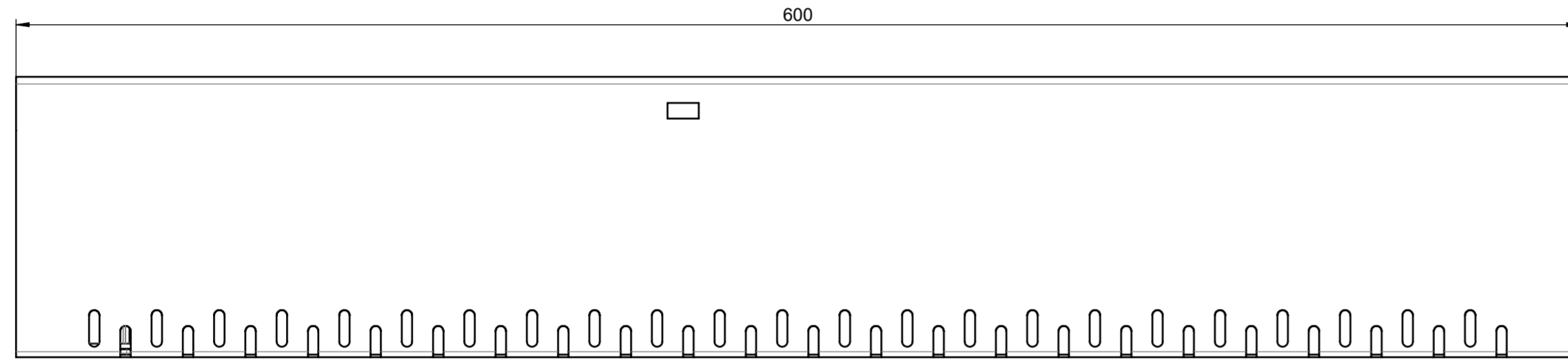
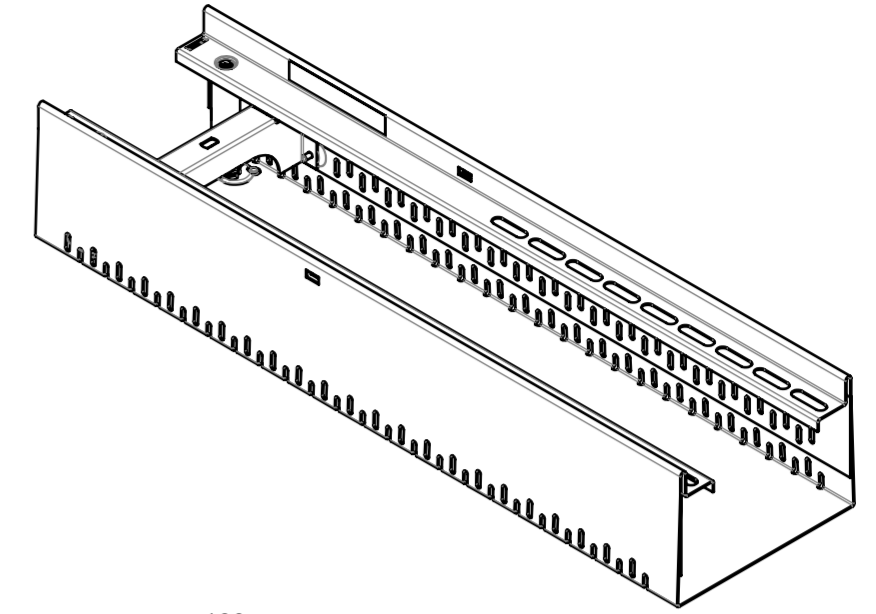
S:\projekte\2019\001_A3_Vertrieb\22




material number: 3009155

| | | | | |
|--|--------------|--------------------------------|-----------------------------|---------------------------------|
|  ACO GmbH Am Ahlmannkai 24782 Büdelsdorf www.aco.com | created by: | drawing-no.: 1253050 | index: 002 | documenttype: marketing drw. |
| | reviewed by: | projection: ISO-E | scale: 1:2 | |
| title: ACO Proffline End compensation element height adjustable 2.0, 130x600, Type 3, Galvanized steel Ausgleichement Ende verstellbare Höhe 2.0, 130x600, Typ 3, Verzinkter Stahl | | | | serial-released |
| The reproduction, distribution and utilization of this document as well as the communication of its contents to others without express authorization is prohibited. Offenders will be held liable for the payment of damages. All rights reserved in the event of the grant of a patent, utility model or design. Observe copyright by ISO 16016 | | | release date: 20.12.2023 | sheet: 1/1 |

SCALE 1 : 5



material number: 3009164

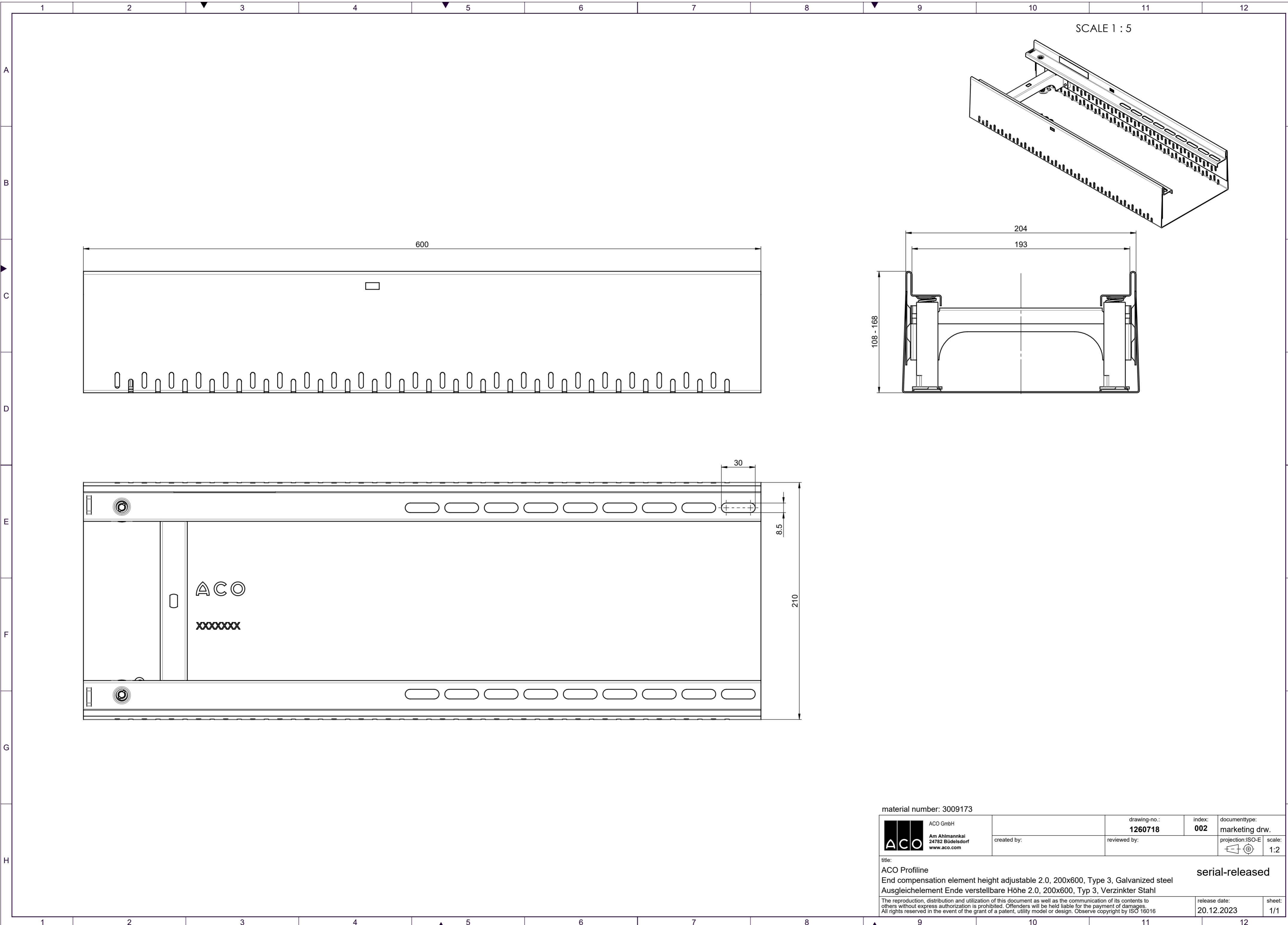
| | | | |
|--|--------------------------------|----------------------|---------------------------------|
|  ACO GmbH Am Ahlmannkai 24782 Büdelsdorf www.aco.com | drawing-no.: 1256756 | index: 002 | documenttype: marketing drw. |
| | created by: | reviewed by: | projection: ISO-E scale: 1:2 |

title:
ACO Profiline
 End compensation element height adjustable 2.0, 155x600, Type 3, Galvanized steel
 Ausgleichelement Ende verstellbare Höhe 2.0, 155x600, Typ 3, Verzinkter Stahl



serial-released

The reproduction, distribution and utilization of this document as well as the communication of its contents to others without express authorization is prohibited. Offenders will be held liable for the payment of damages. All rights reserved in the event of the grant of a patent, utility model or design. Observe copyright by ISO 16016

release date: 20.12.2023
 sheet: 1/1



material number: 3009173

| | | | |
|--|--------------------------------|----------------------|--|
|  ACO GmbH Am Ahlmannkai 24782 Büdelsdorf www.aco.com | drawing-no.: 1260718 | index: 002 | documenttype: marketing drw. |
| | created by: | reviewed by: | projection: ISO-E  |

title:
 ACO Profiline
 End compensation element height adjustable 2.0, 200x600, Type 3, Galvanized steel
 Ausgleichelement Ende verstellbare Höhe 2.0, 200x600, Typ 3, Verzinkter Stahl

serial-released

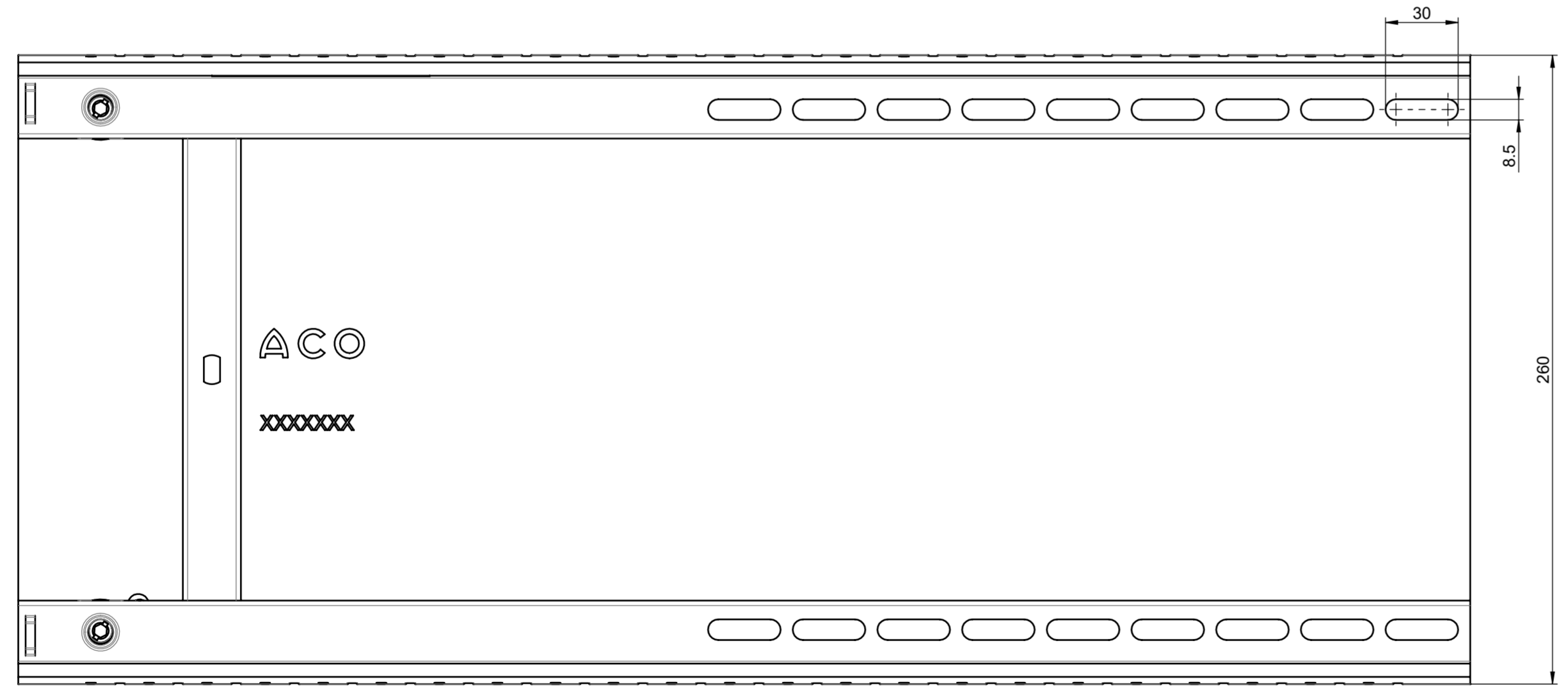
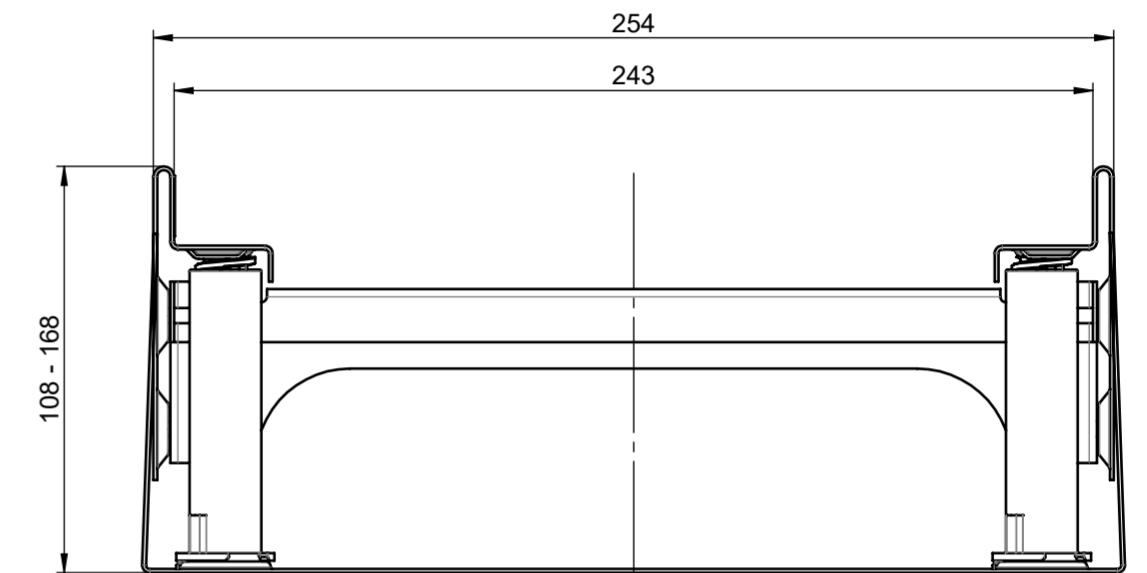
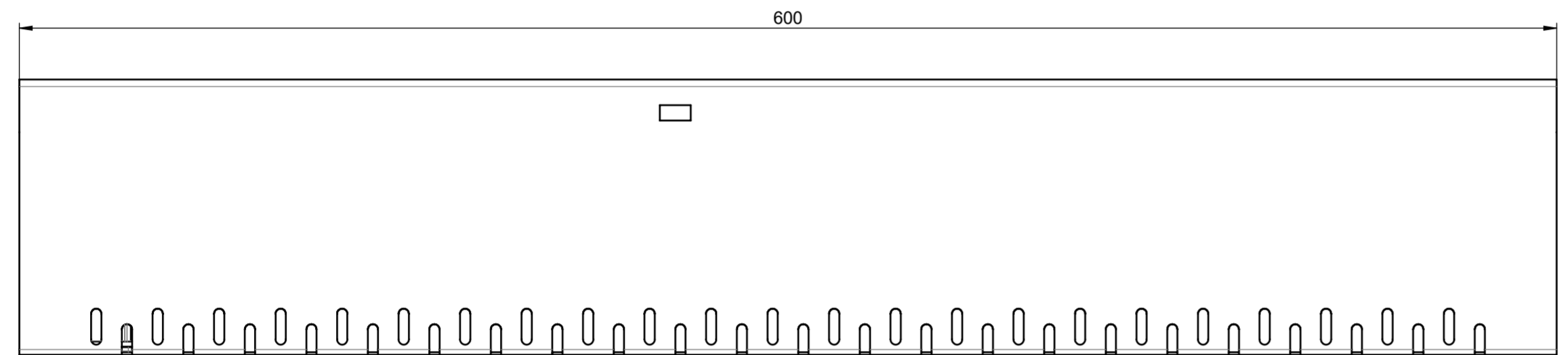
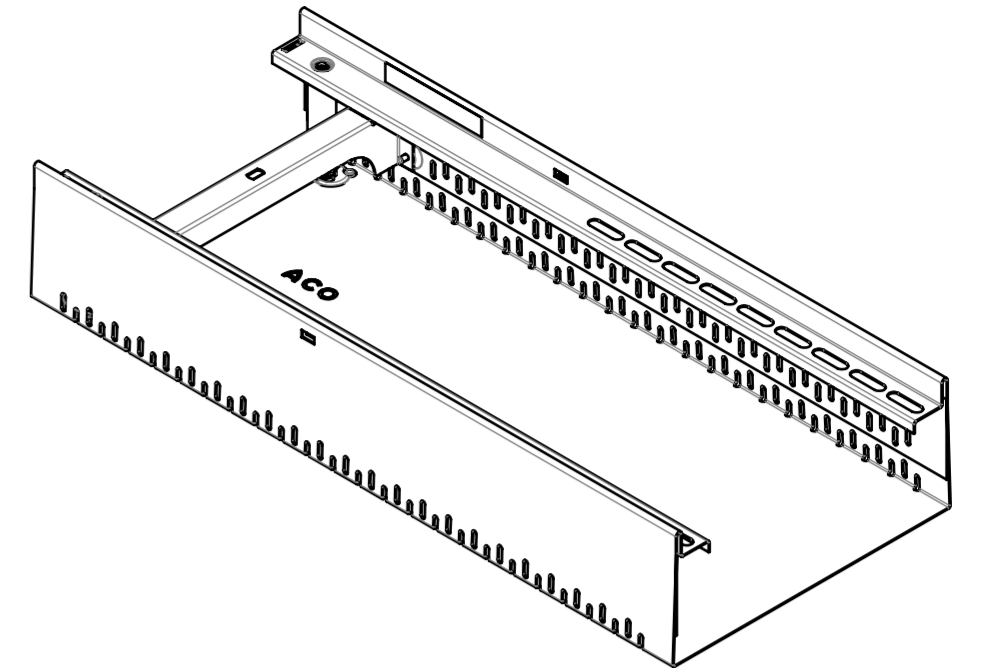
The reproduction, distribution and utilization of this document as well as the communication of its contents to others without express authorization is prohibited. Offenders will be held liable for the payment of damages. All rights reserved in the event of the grant of a patent, utility model or design. Observe copyright by ISO 16016

| | |
|-----------------------------|---------------|
| release date: 20.12.2023 | sheet: 1/1 |
|-----------------------------|---------------|



1 2 3 4 5 6 7 8 9 10 11 12

A
B
C
D
E
F
G
H

SCALE 1 : 5



material number: 3009182

| | | | |
|--|--------------------------------|----------------------|--|
|  ACO GmbH Am Ahlmannkai 24782 Büdelsdorf www.aco.com | drawing-no.: 1256571 | index: 002 | documenttype: marketing drw. |
| | created by: | reviewed by: | projection: ISO-E  |

title:
 ACO Profiline
 End compensation element height adjustable 2.0, 250x600, Type 3, Galvanized steel
 Ausgleichelement Ende verstellbare Höhe 2.0, 250x600, Typ 3, Verzinkter Stahl

serial-released

The reproduction, distribution and utilization of this document as well as the communication of its contents to others without express authorization is prohibited. Offenders will be held liable for the payment of damages. All rights reserved in the event of the grant of a patent, utility model or design. Observe copyright by ISO 16016

release date:
 20.12.2023

sheet:
 1/1

1 2 3 4 5 6 7 8 9 10 11 12