
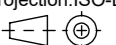
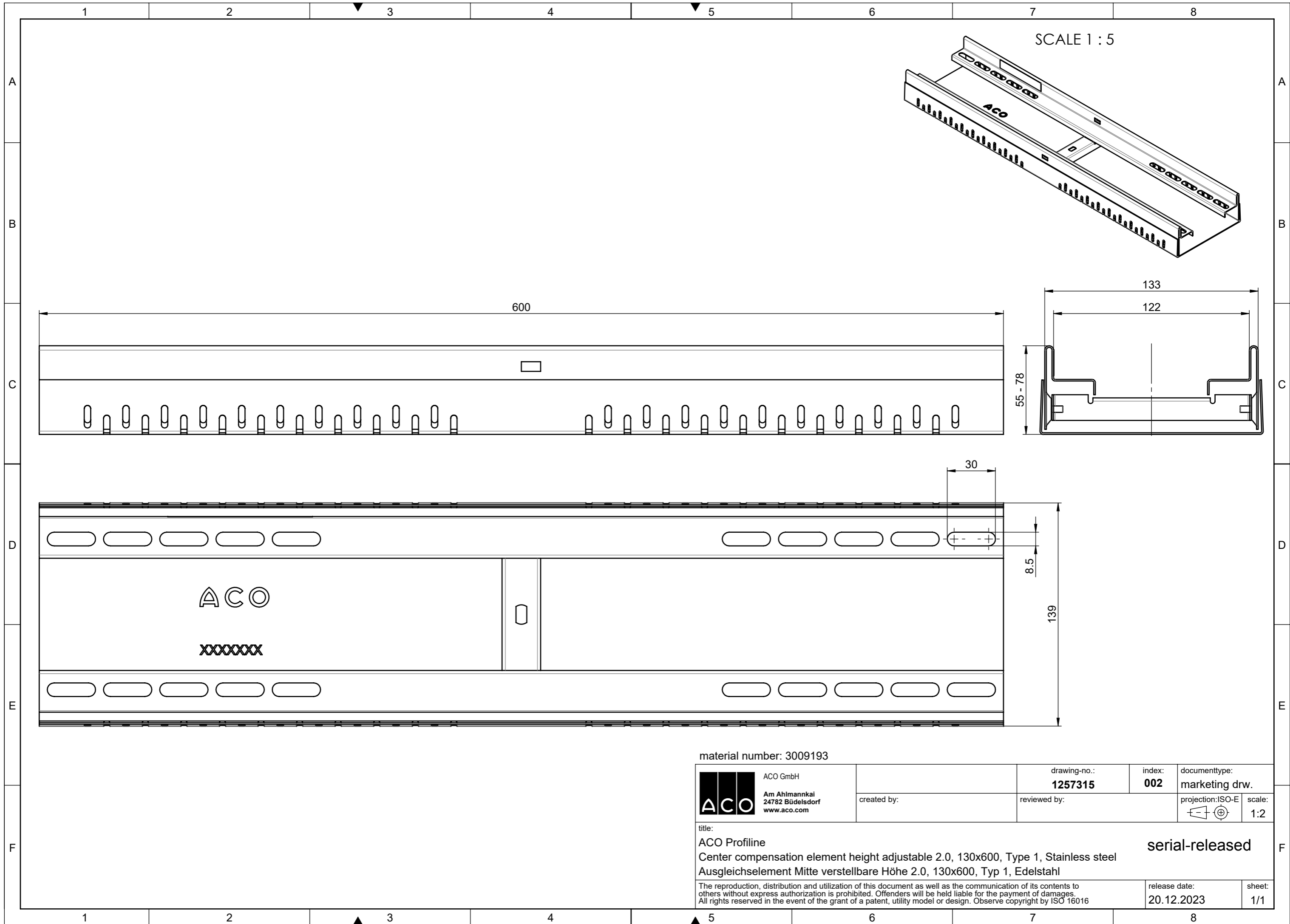

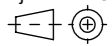


material number: 3009184

 ACO GmbH Am Ahlmannkai 24782 Büdelsdorf www.aco.com	created by:	drawing-no.: <b>1261419</b>	index: <b>002</b>	documenttype: marketing drw.
	reviewed by:	 scale: 1:2		
title: <b>ACO Proflin</b> Center compensation element height adjustable 2.0, 100x600, Type 1, Stainless steel Ausgleichselement Mitte verstellbare Höhe 2.0, 100x600, Typ 1, Edelstahl				<b>serial-released</b>
The reproduction, distribution and utilization of this document as well as the communication of its contents to others without express authorization is prohibited. Offenders will be held liable for the payment of damages. All rights reserved in the event of the grant of a patent, utility model or design. Observe copyright by ISO 16016			release date: 20.12.2023	sheet: 1/1

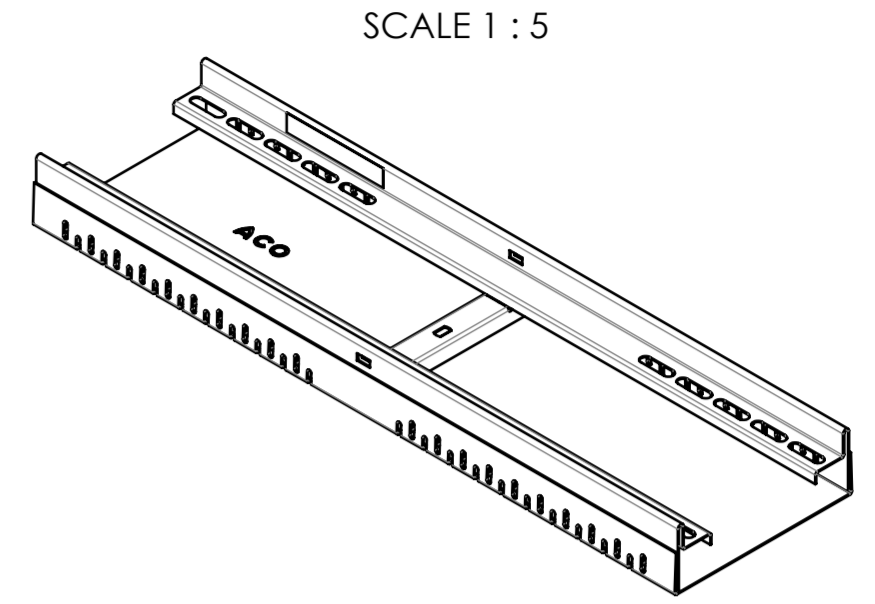


material number: 3009193

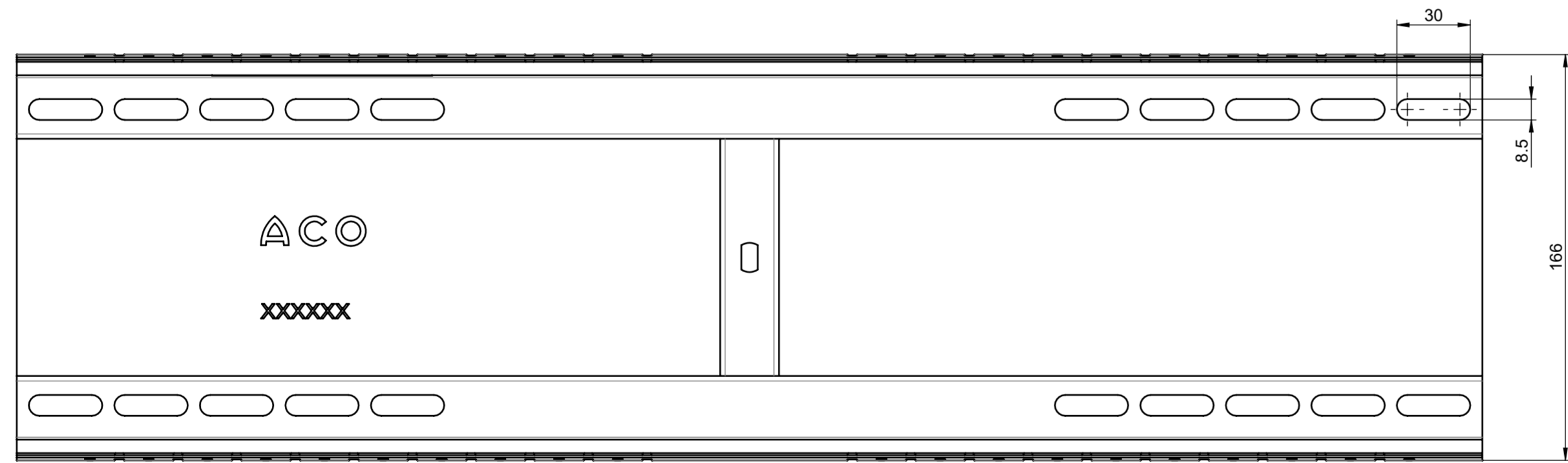
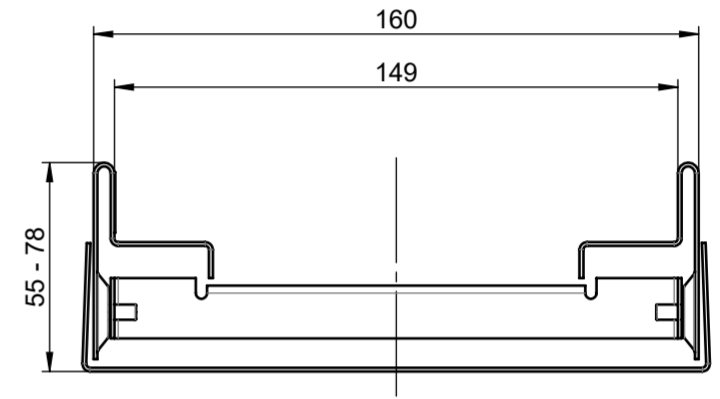
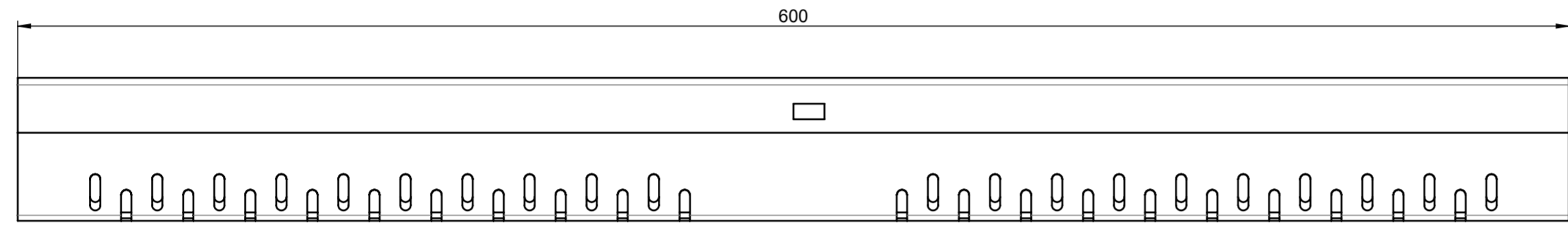
 ACO GmbH Am Ahlmannkai 24782 Büdelsdorf www.aco.com	drawing-no.: <b>1257315</b>	index: <b>002</b>	documenttype: marketing drw.
	created by:	reviewed by:	projection: ISO-E 
title: <b>ACO Proffline</b> Center compensation element height adjustable 2.0, 130x600, Type 1, Stainless steel Ausgleichselement Mitte verstellbare Höhe 2.0, 130x600, Typ 1, Edelstahl			<b>serial-released</b>
<small>The reproduction, distribution and utilization of this document as well as the communication of its contents to others without express authorization is prohibited. Offenders will be held liable for the payment of damages. All rights reserved in the event of the grant of a patent, utility model or design. Observe copyright by ISO 16016</small>			release date: 20.12.2023
			sheet: 1/1

1 2 3 4 5 6 7 8 9 10 11 12


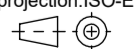
A  
B  
C  
D  
E  
F  
G  
H



SCALE 1 : 5



material number: 3009202

 ACO GmbH Am Ahlmannkai 24782 Büdelsdorf www.aco.com	drawing-no.: <b>1252764</b>	index: <b>002</b>	documenttype: marketing drw.
	created by:	reviewed by:	projection: ISO-E 

title:  
**ACO Profiline**  
 Center compensation element height adjustable 2.0, 155x600, Type 1, Stainless steel  
 Ausgleichselement Mitte verstellbare Höhe 2.0, 155x600, Typ 1, Edelstahl

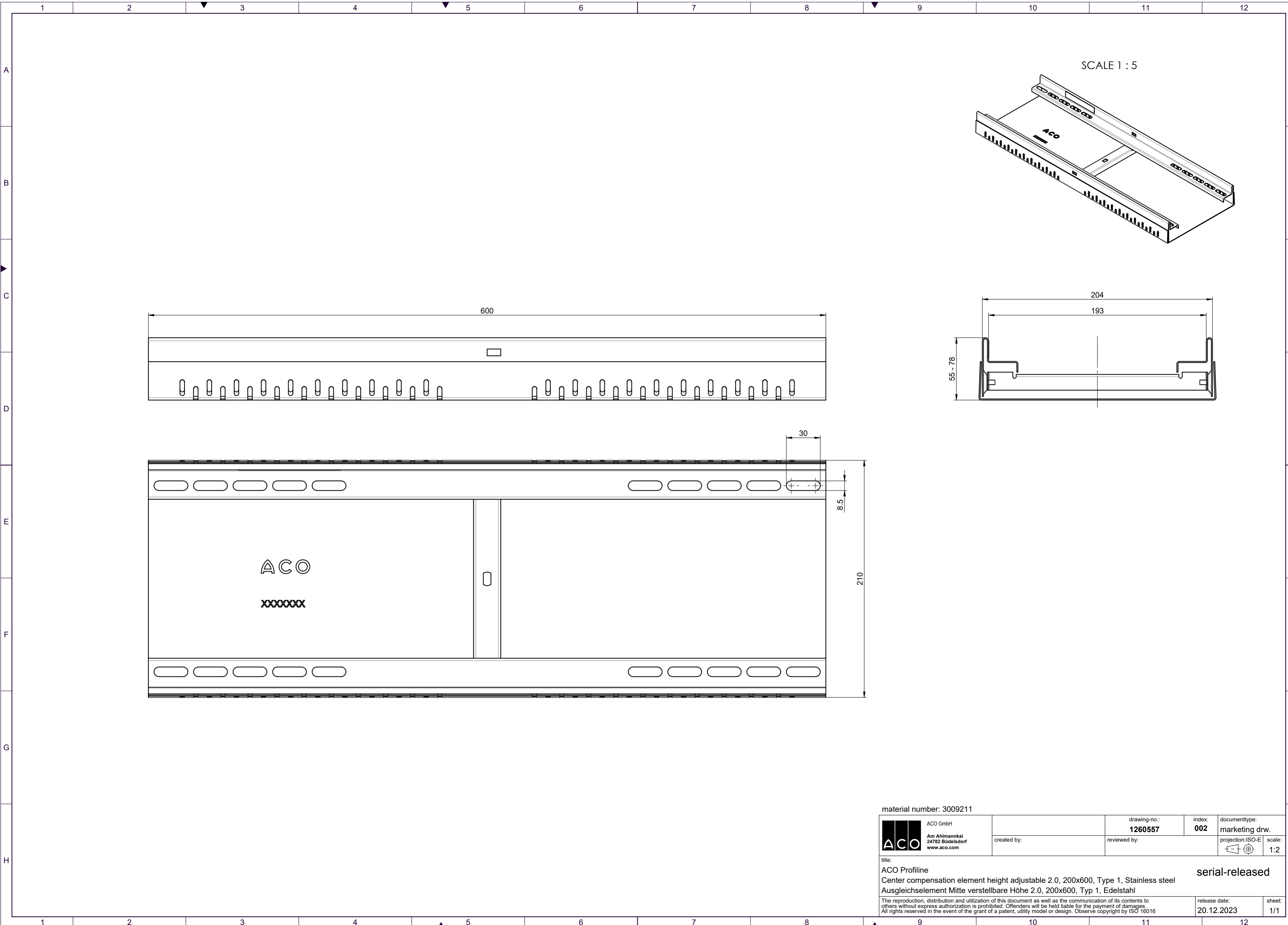
serial-released

The reproduction, distribution and utilization of this document as well as the communication of its contents to others without express authorization is prohibited. Offenders will be held liable for the payment of damages. All rights reserved in the event of the grant of a patent, utility model or design. Observe copyright by ISO 16016

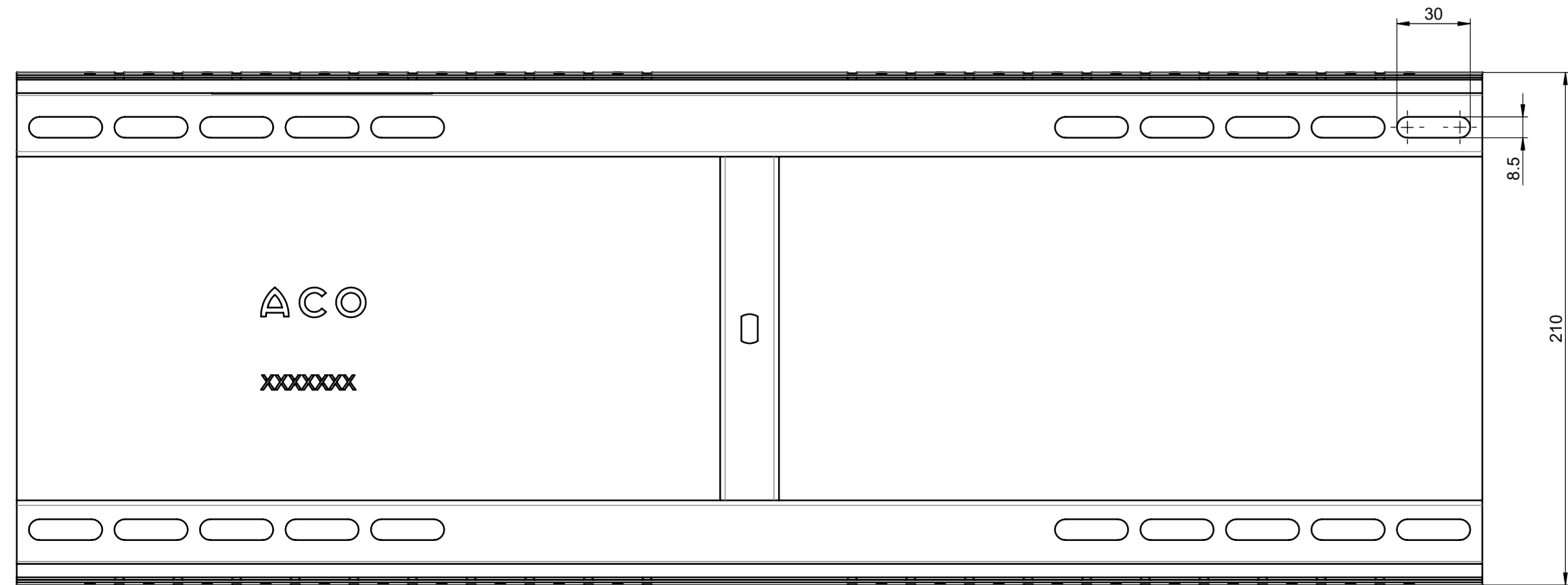
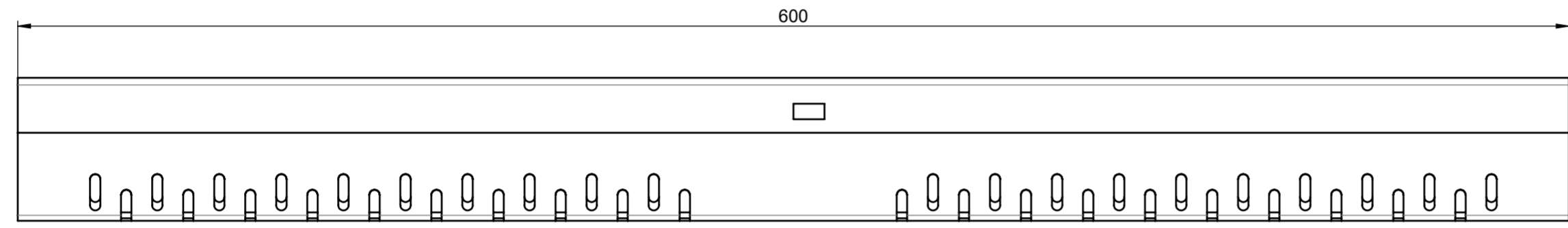
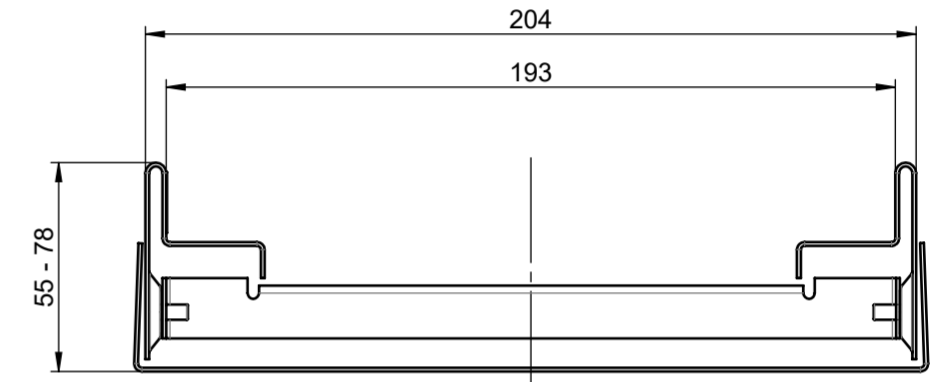
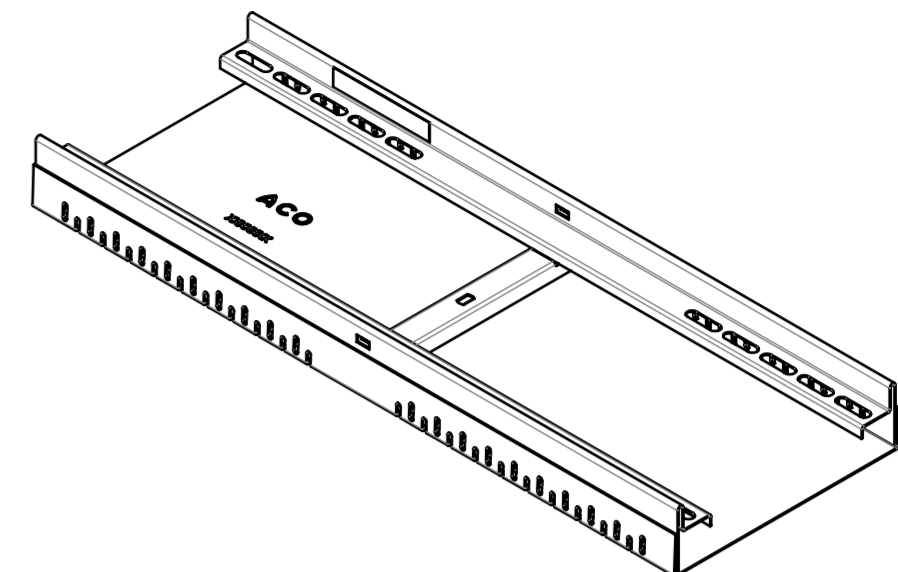
release date:  
**20.12.2023**

sheet:  
**1/1**


1 2 3 4 5 6 7 8 9 10 11 12



SCALE 1 : 5



material number: 3009211

 ACO GmbH Am Ahlmannkai 24782 Büdelsdorf www.aco.com	drawing-no.: <b>1260557</b>	index: <b>002</b>	documenttype: marketing drw.
	created by:	reviewed by:	projection: ISO-E scale: 1:2

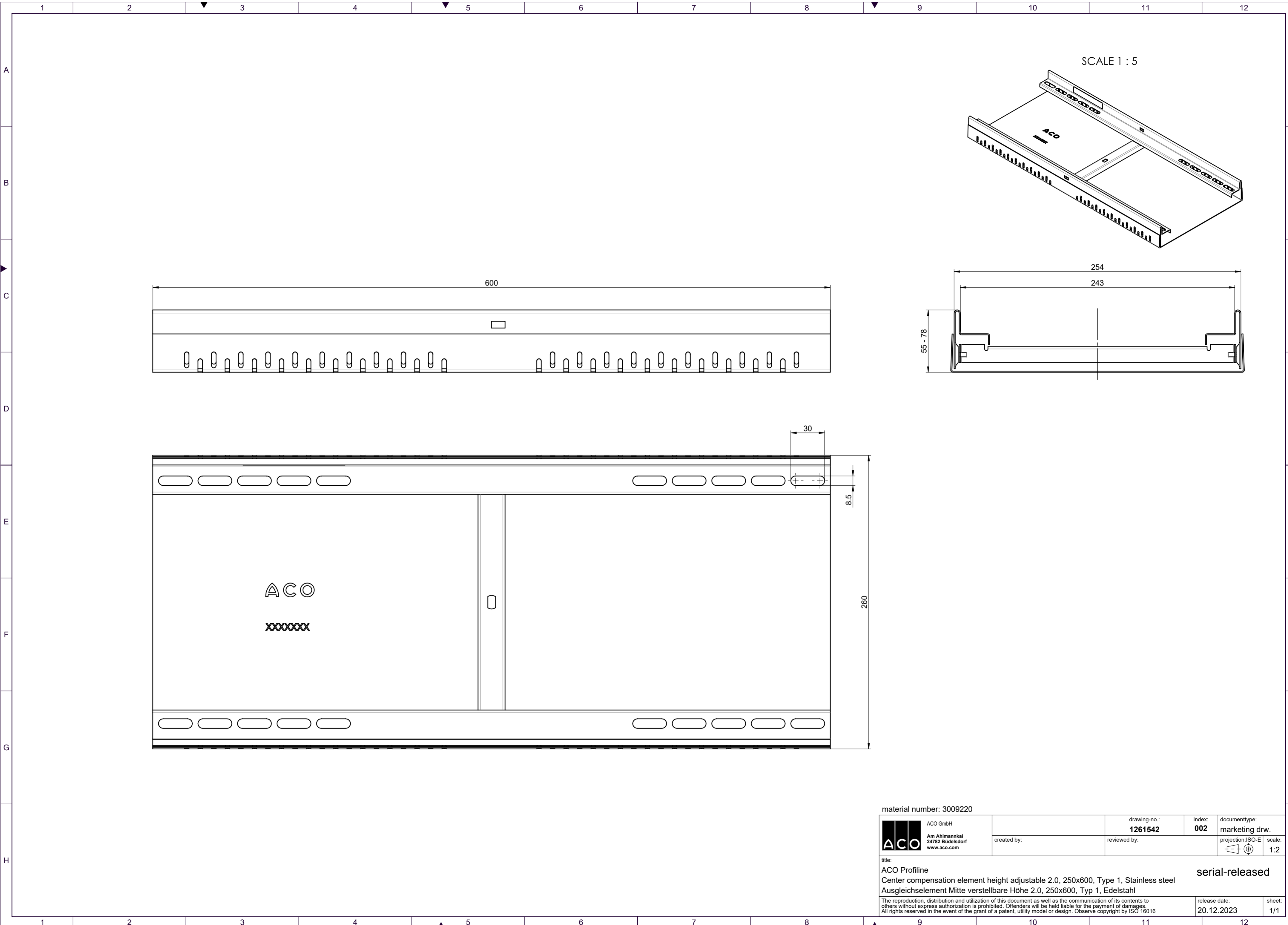
title:  
**ACO Profiline**  
 Center compensation element height adjustable 2.0, 200x600, Type 1, Stainless steel  
 Ausgleichselement Mitte verstellbare Höhe 2.0, 200x600, Typ 1, Edelstahl

serial-released


The reproduction, distribution and utilization of this document as well as the communication of its contents to others without express authorization is prohibited. Offenders will be held liable for the payment of damages. All rights reserved in the event of the grant of a patent, utility model or design. Observe copyright by ISO 16016

release date:  
20.12.2023

sheet:  
1/1



material number: 3009220

 ACO GmbH Am Ahlmannkai 24782 Büdelsdorf www.aco.com	created by:	drawing-no.: <b>1261542</b>	index: <b>002</b>	documenttype: marketing drw.
	reviewed by:	projection: ISO-E	scale: 1:2	

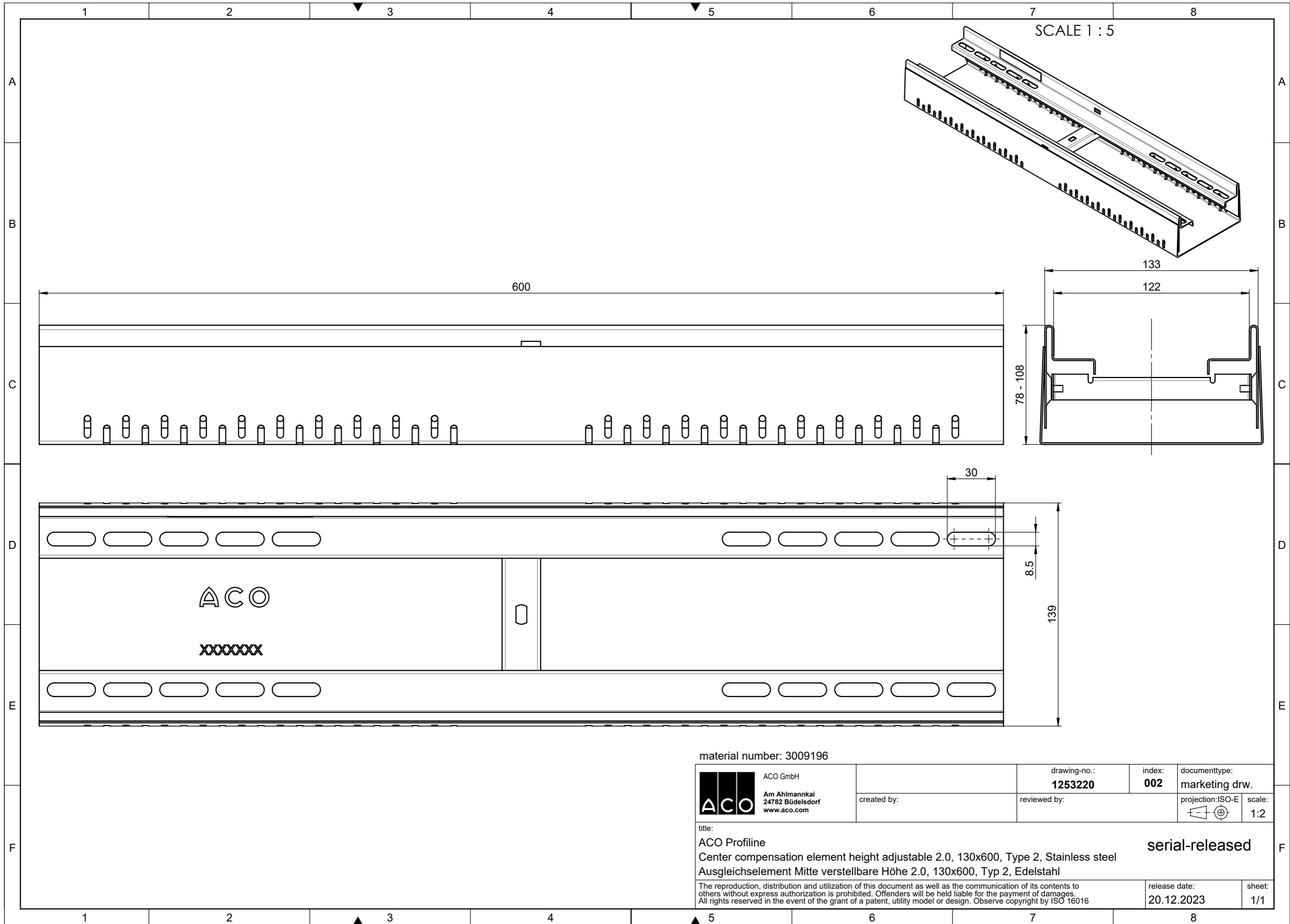
title:  
**ACO Profiline**  
 Center compensation element height adjustable 2.0, 250x600, Type 1, Stainless steel  
 Ausgleichselement Mitte verstellbare Höhe 2.0, 250x600, Typ 1, Edelstahl

serial-released


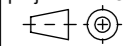
The reproduction, distribution and utilization of this document as well as the communication of its contents to others without express authorization is prohibited. Offenders will be held liable for the payment of damages. All rights reserved in the event of the grant of a patent, utility model or design. Observe copyright by ISO 16016

release date: 20.12.2023	sheet: 1/1
-----------------------------	---------------





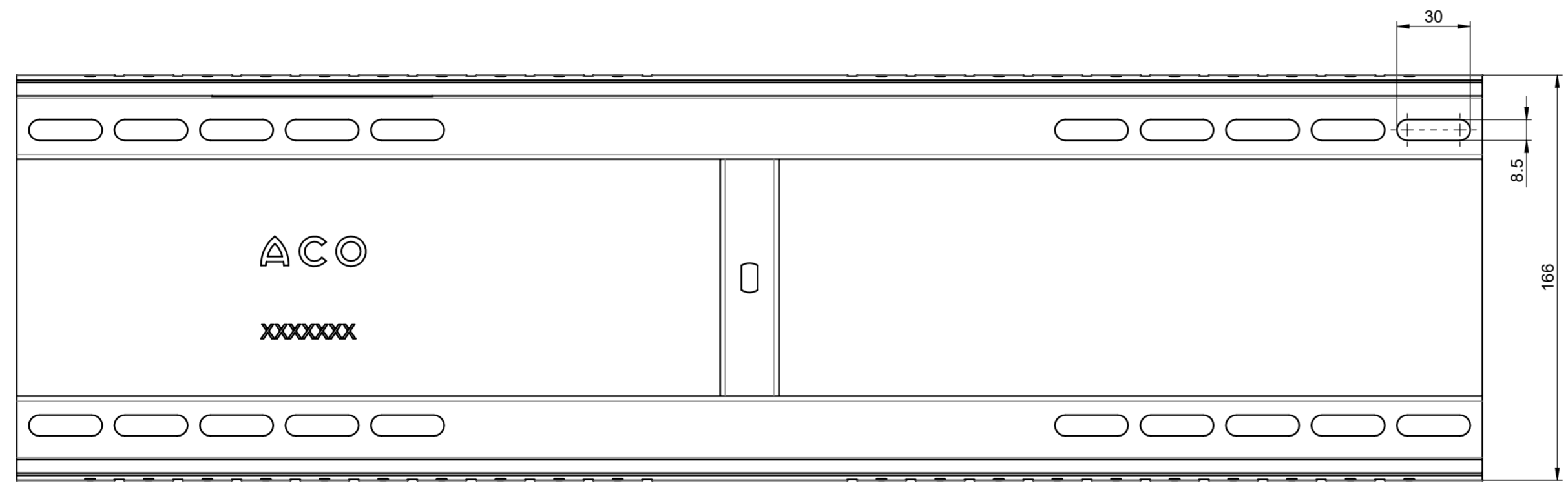
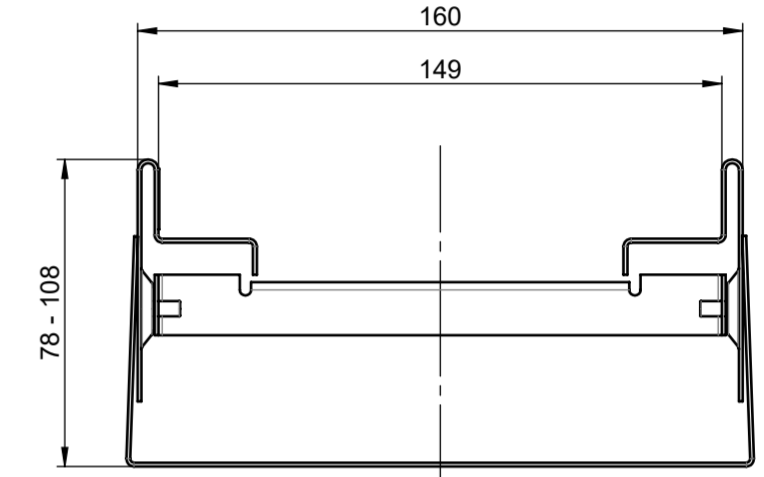
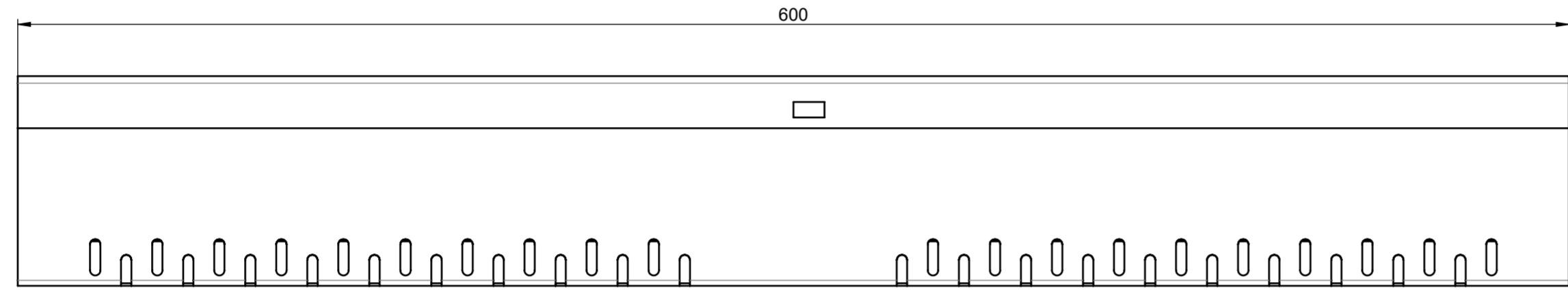
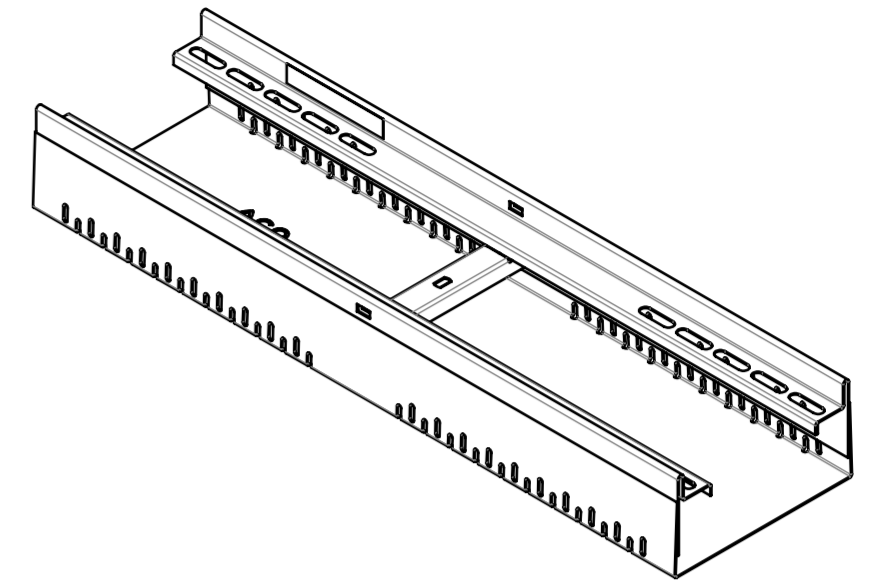
material number: 3009196

 ACO GmbH Am Ahlmannkai 24782 Büdelsdorf www.aco.com	created by:	drawing-no.: <b>1253220</b>	index: <b>002</b>	documenttype: marketing drw.
	reviewed by:	 scale: 1:2		
title: <b>ACO Proffline</b> Center compensation element height adjustable 2.0, 130x600, Type 2, Stainless steel Ausgleichselement Mitte verstellbare Höhe 2.0, 130x600, Typ 2, Edelstahl				<b>serial-released</b>
<small>The reproduction, distribution and utilization of this document as well as the communication of its contents to others without express authorization is prohibited. Offenders will be held liable for the payment of damages. All rights reserved in the event of the grant of a patent, utility model or design. Observe copyright by ISO 16016</small>			release date: 20.12.2023	sheet: 1/1

1 2 3 4 5 6 7 8 9 10 11 12

A  
B  
C  
D  
E  
F  
G  
H

SCALE 1 : 5



material number: 3009205



drawing-no.: <b>1258528</b>	index: <b>002</b>	documenttype: marketing drw.
created by:	reviewed by:	projection: ISO-E scale: 1:2

title:  
ACO Profiline  
Center compensation element height adjustable 2.0, 155x600, Type 2, Stainless steel  
Ausgleichselement Mitte verstellbare Höhe 2.0, 155x600, Typ 2, Edelstahl

serial-released

The reproduction, distribution and utilization of this document as well as the communication of its contents to others without express authorization is prohibited. Offenders will be held liable for the payment of damages. All rights reserved in the event of the grant of a patent, utility model or design. Observe copyright by ISO 16016

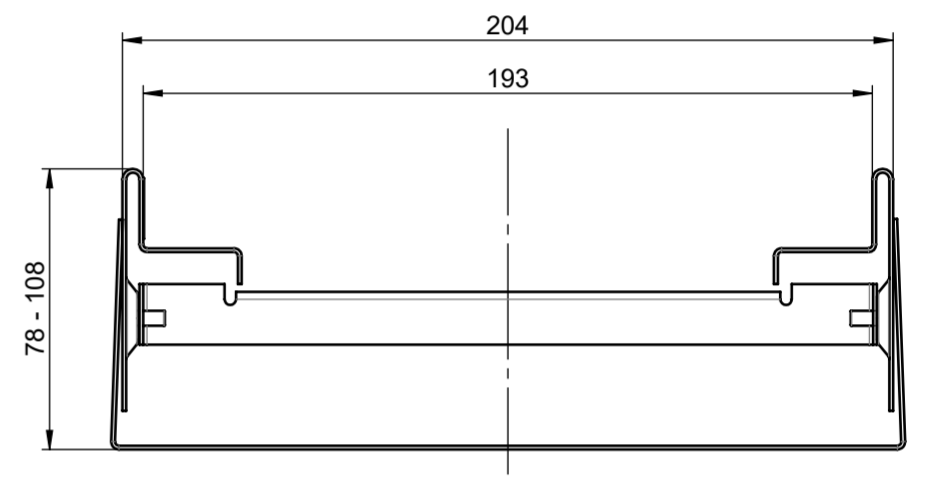
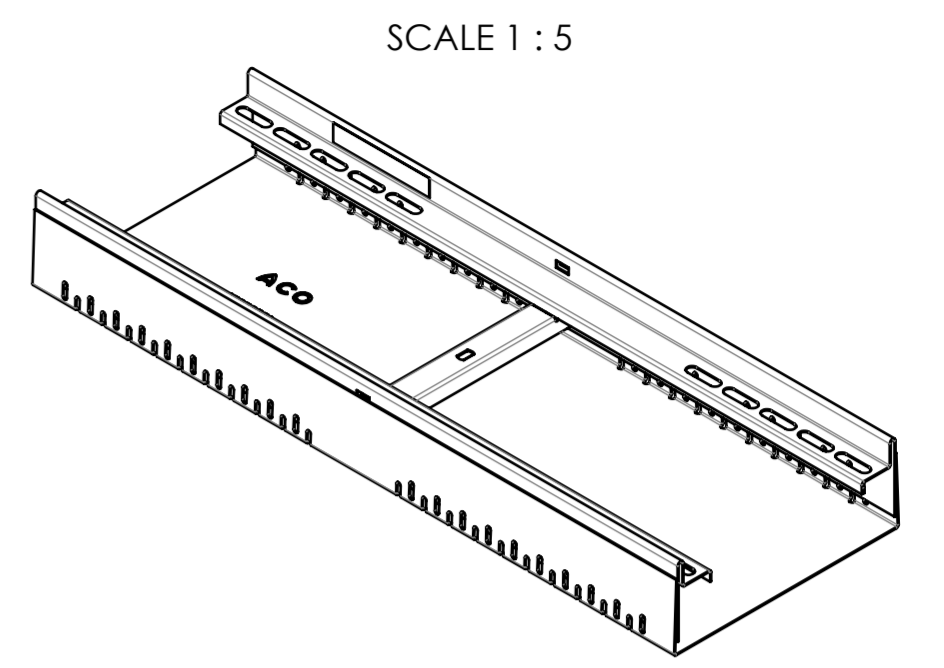
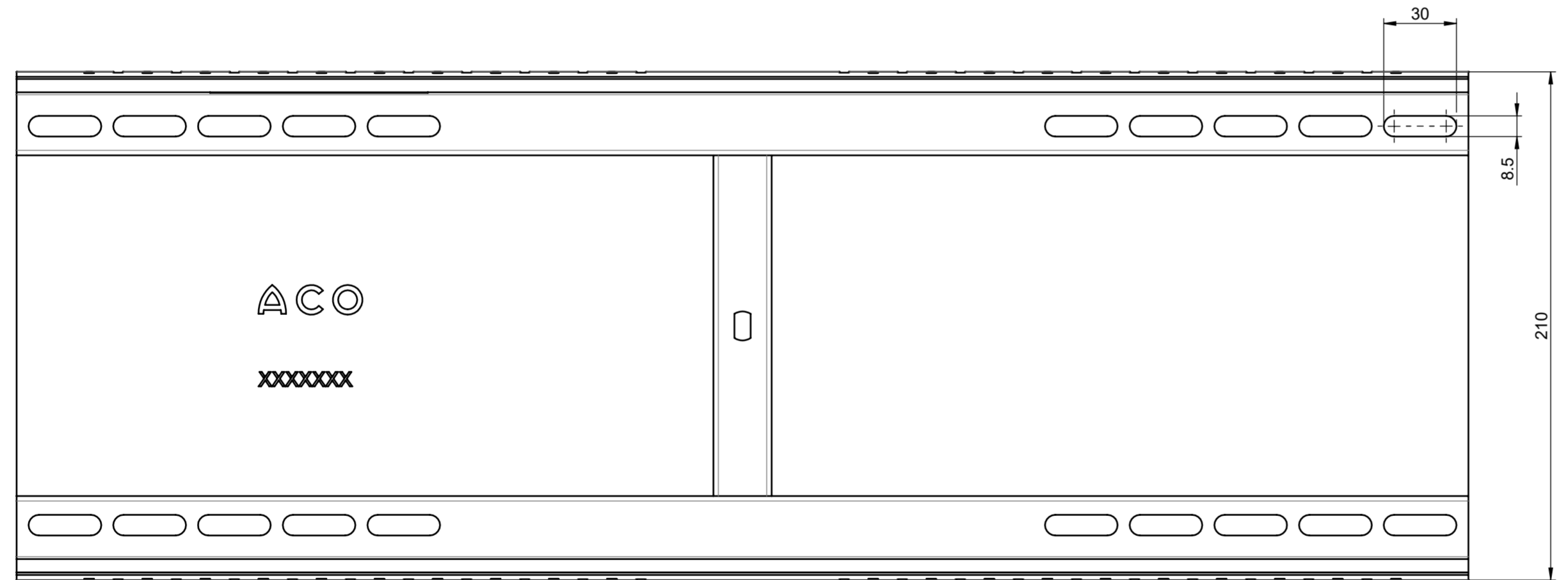
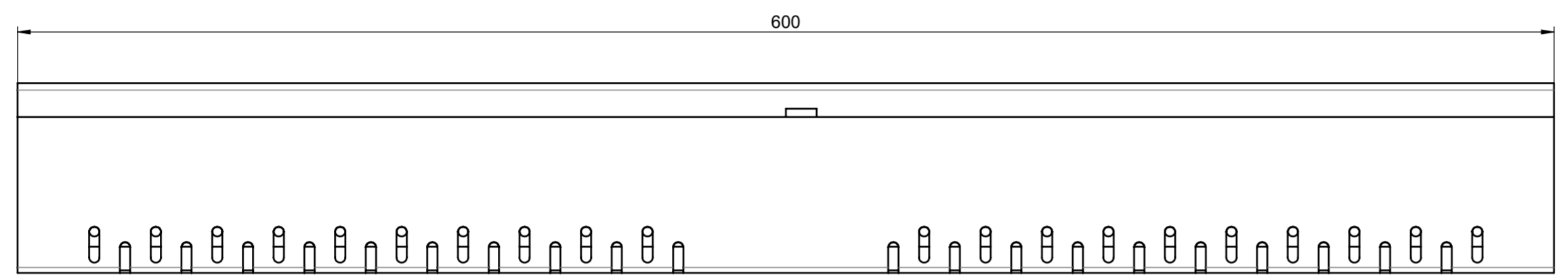
release date: 20.12.2023  
sheet: 1/1

1 2 3 4 5 6 7 8 9 10 11 12


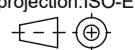


1 2 3 4 5 6 7 8 9 10 11 12

A  
B  
C  
D  
E  
F  
G  
H



material number: 3009214

 ACO GmbH Am Ahlmannkai 24782 Büdelsdorf www.aco.com	drawing-no.: <b>1258913</b>	index: <b>002</b>	documenttype: marketing drw.
	created by:	reviewed by:	projection: ISO-E 

title:  
**ACO Profiline**  
 Center compensation element height adjustable 2.0, 200x600, Type 2, Stainless steel  
 Ausgleichselement Mitte verstellbare Höhe 2.0, 200x600, Typ 2, Edelstahl

serial-released

The reproduction, distribution and utilization of this document as well as the communication of its contents to others without express authorization is prohibited. Offenders will be held liable for the payment of damages. All rights reserved in the event of the grant of a patent, utility model or design. Observe copyright by ISO 16016

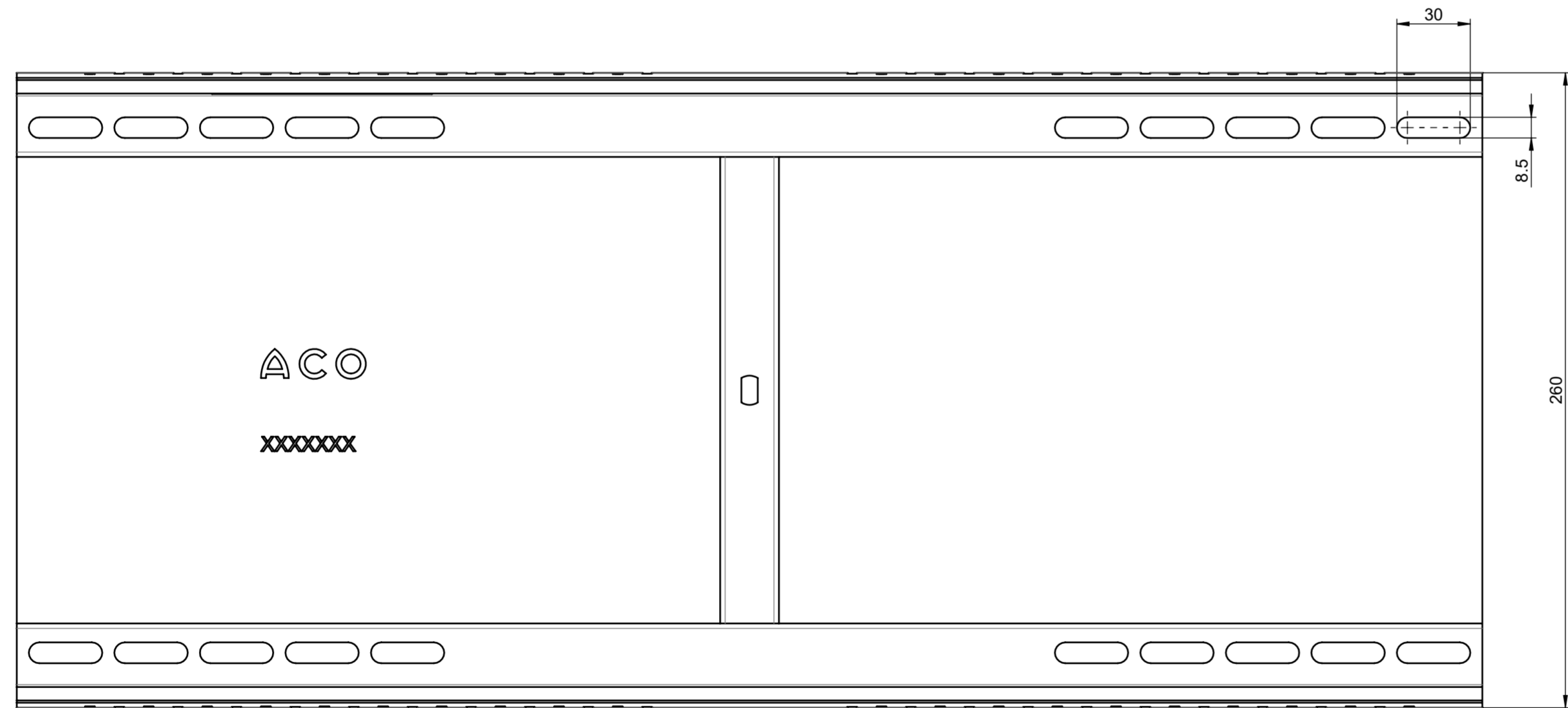
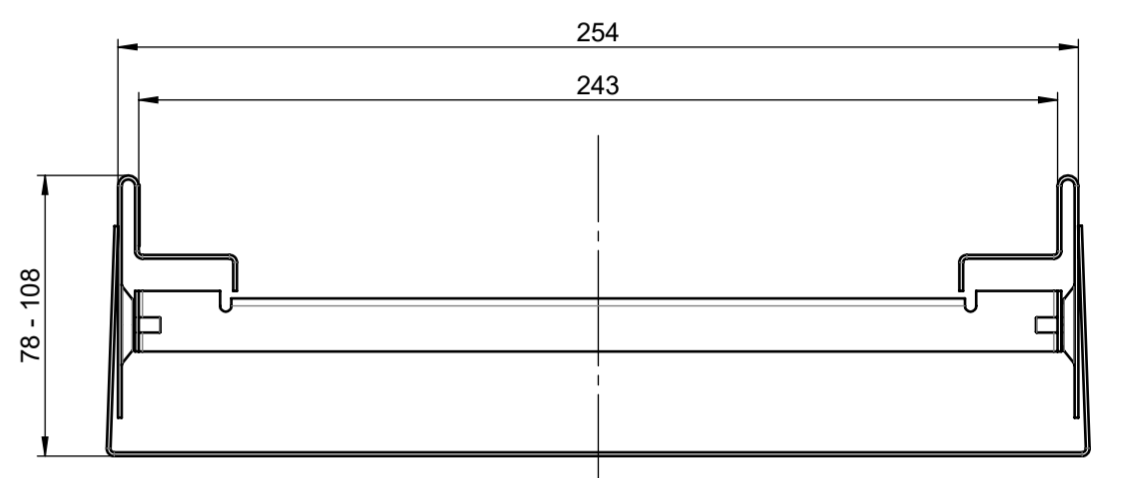
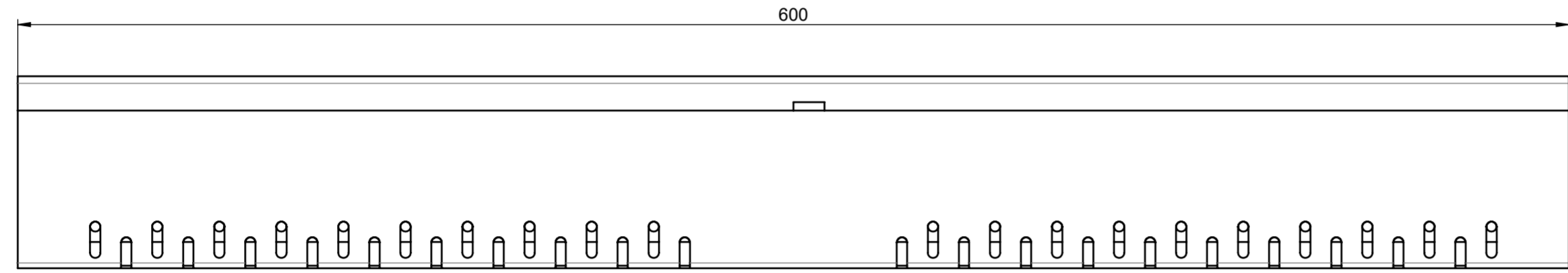
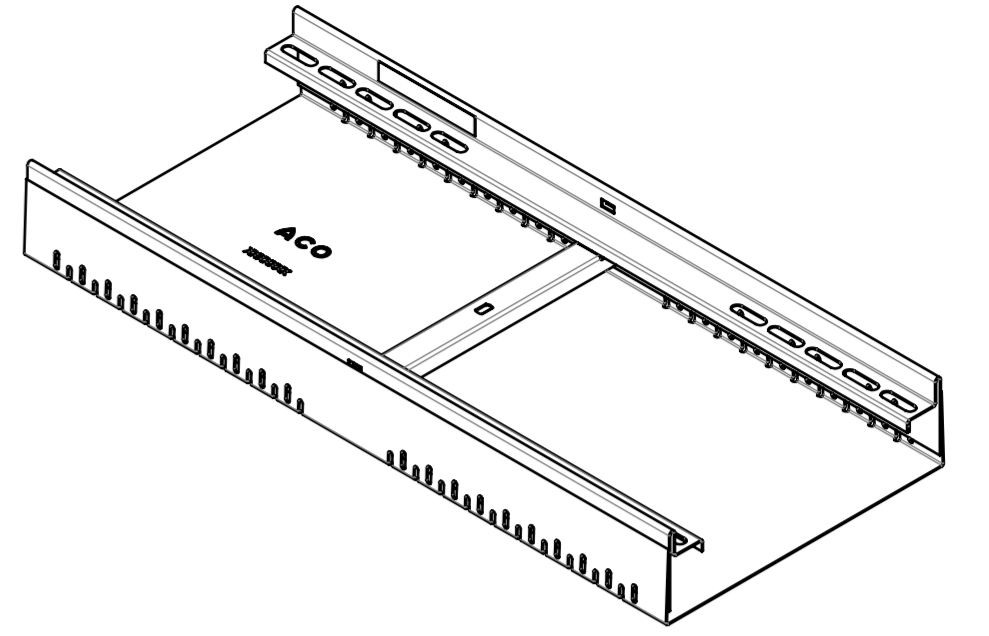
release date: 20.12.2023	sheet: 1/1
-----------------------------	---------------

1 2 3 4 5 6 7 8 9 10 11 12



1 2 3 4 5 6 7 8 9 10 11 12

A  
B  
C  
D  
E  
F  
G  
H

SCALE 1 : 5



material number: 3009223

 ACO GmbH Am Ahlmannkai 24782 Büdelsdorf www.aco.com	drawing-no.: <b>1253638</b>	index: <b>002</b>	documenttype: marketing drw.
	created by:	reviewed by:	projection: ISO-E 

title:  
**ACO Profiline**  
 Center compensation element height adjustable 2.0, 250x600, Type 2, Stainless steel  
 Ausgleichselement Mitte verstellbare Höhe 2.0, 250x600, Typ 2, Edelstahl

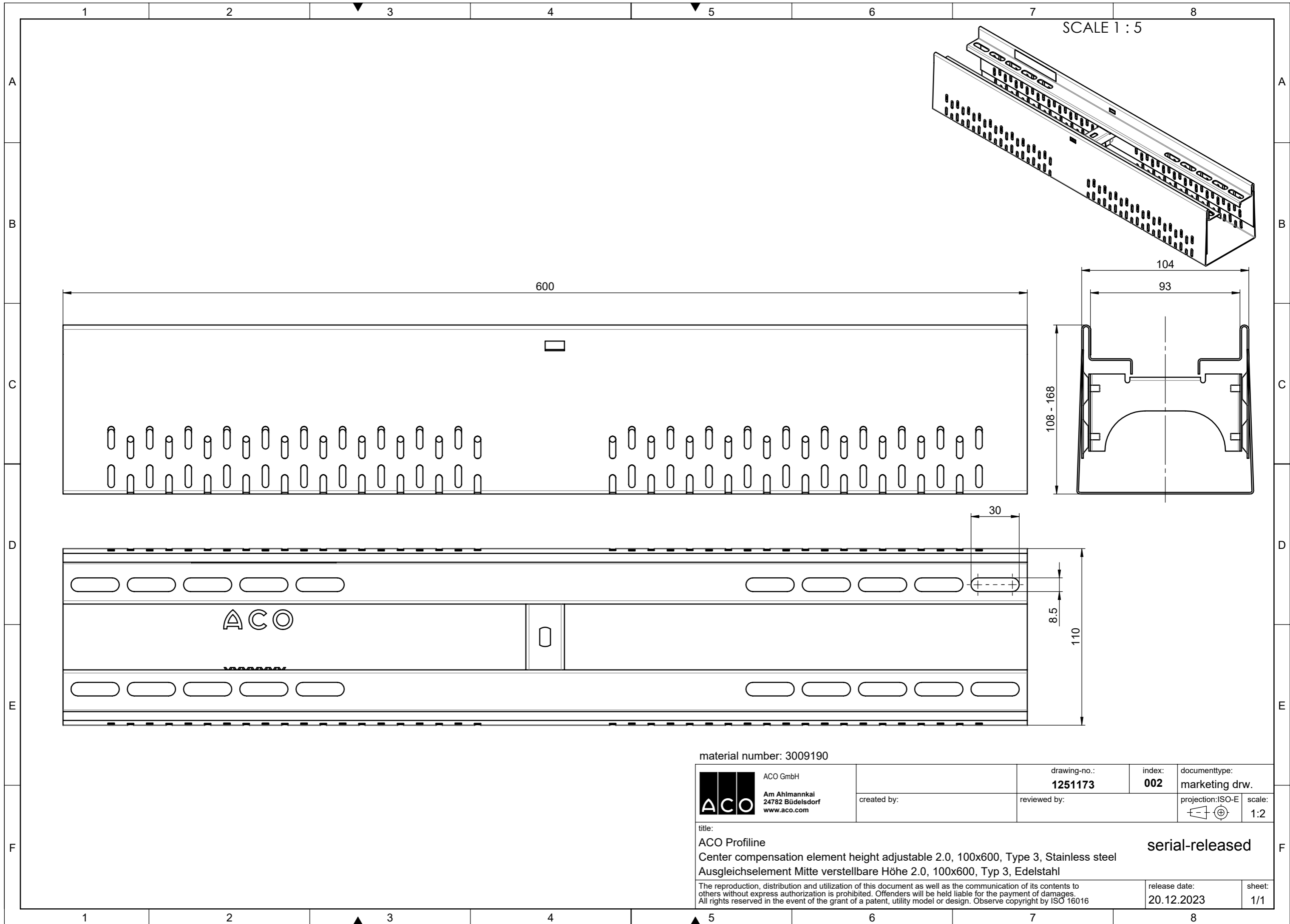
serial-released

The reproduction, distribution and utilization of this document as well as the communication of its contents to others without express authorization is prohibited. Offenders will be held liable for the payment of damages. All rights reserved in the event of the grant of a patent, utility model or design. Observe copyright by ISO 16016


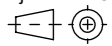
release date:  
 20.12.2023

sheet:  
 1/1

1 2 3 4 5 6 7 8 9 10 11 12



material number: 3009190

 ACO GmbH Am Ahlmannkai 24782 Büdelsdorf www.aco.com	drawing-no.: <b>1251173</b>	index: <b>002</b>	documenttype: marketing drw.
	created by:	reviewed by:	projection: ISO-E 
title: ACO Proflin Center compensation element height adjustable 2.0, 100x600, Type 3, Stainless steel Ausgleichselement Mitte verstellbare Höhe 2.0, 100x600, Typ 3, Edelstahl			serial-released
<small>The reproduction, distribution and utilization of this document as well as the communication of its contents to others without express authorization is prohibited. Offenders will be held liable for the payment of damages. All rights reserved in the event of the grant of a patent, utility model or design. Observe copyright by ISO 16016</small>			release date: 20.12.2023
			sheet: 1/1

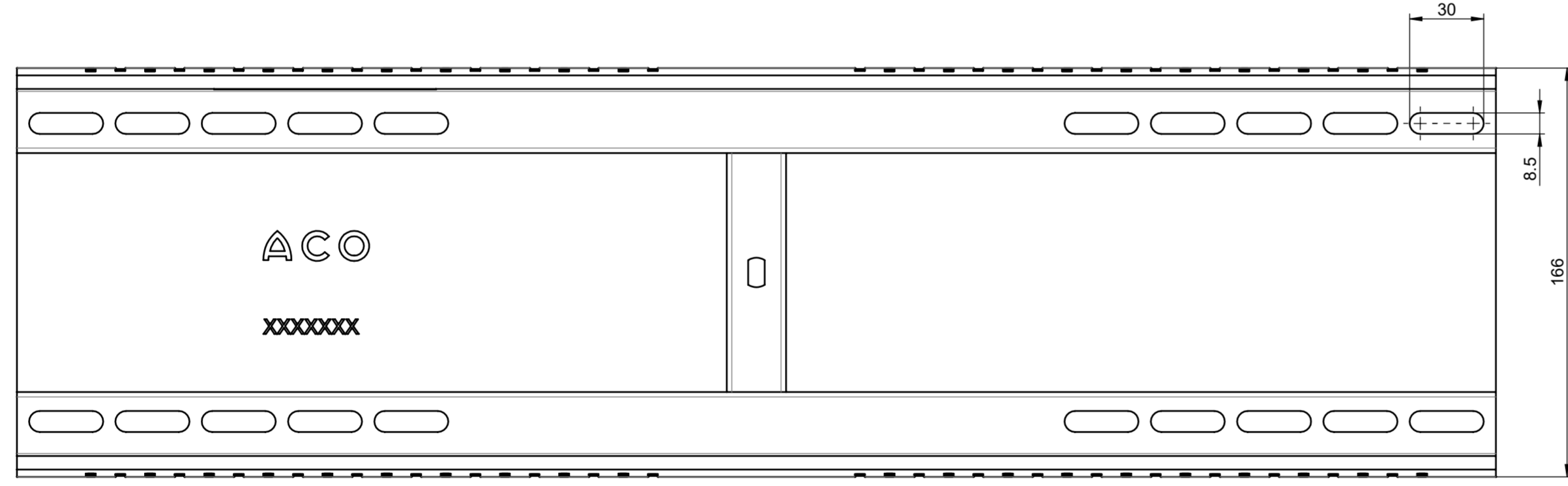
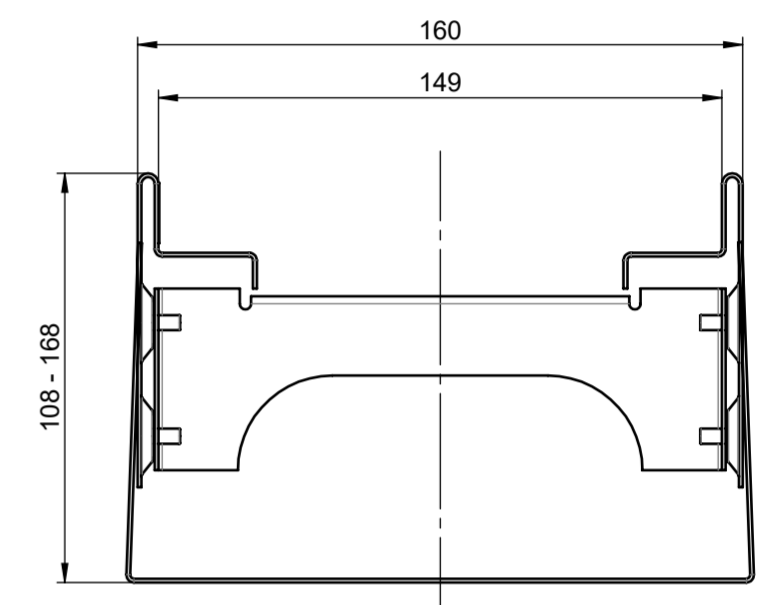
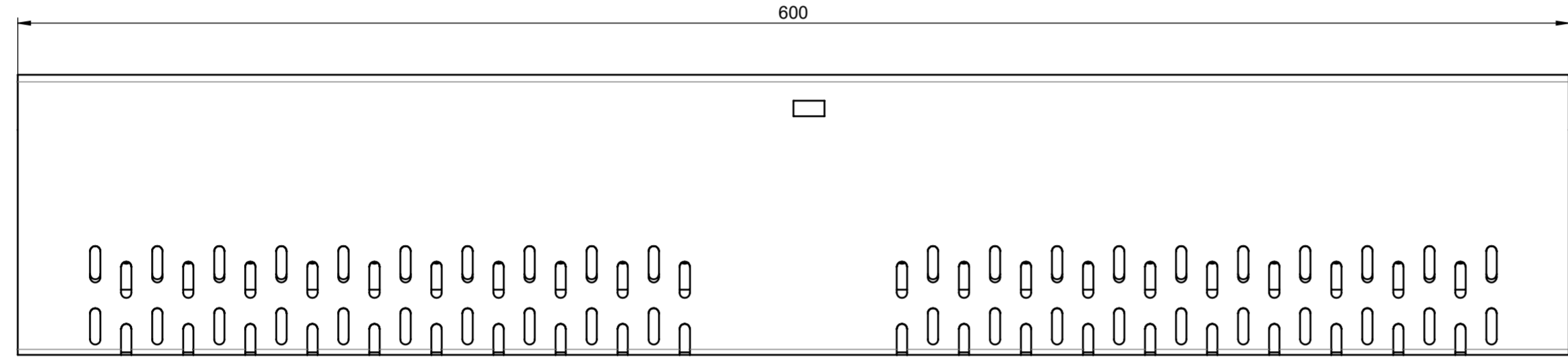
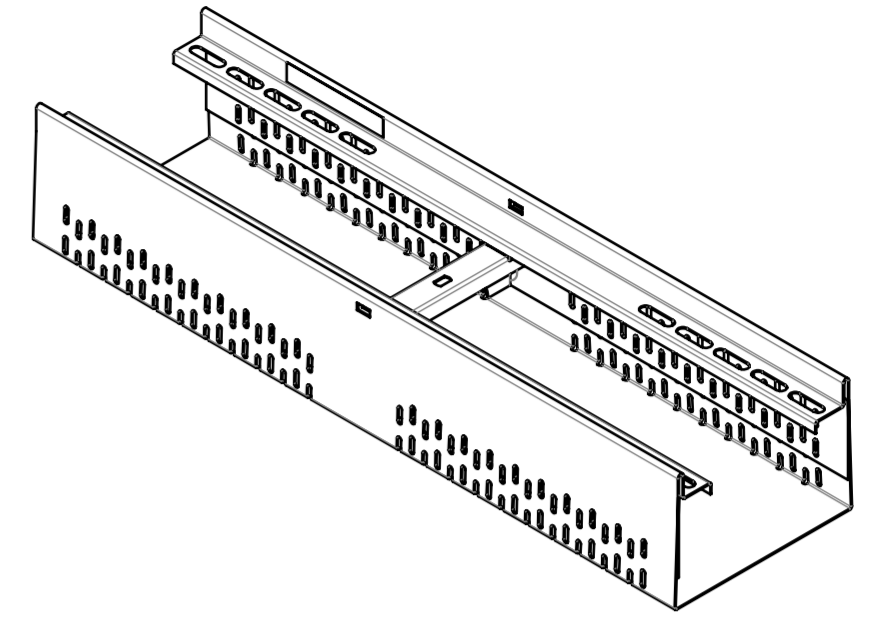
S:\projekte\2019\001\_A3\_Vertrieb\22





1 2 3 4 5 6 7 8 9 10 11 12

A  
B  
C  
D  
E  
F  
G  
H

SCALE 1 : 5



material number: 3009208

 ACO GmbH Am Ahlmannkai 24782 Büdelsdorf www.aco.com	drawing-no.: <b>1262554</b>	index: <b>002</b>	documenttype: marketing drw.
	created by:	reviewed by:	projection: ISO-E  scale: 1:2

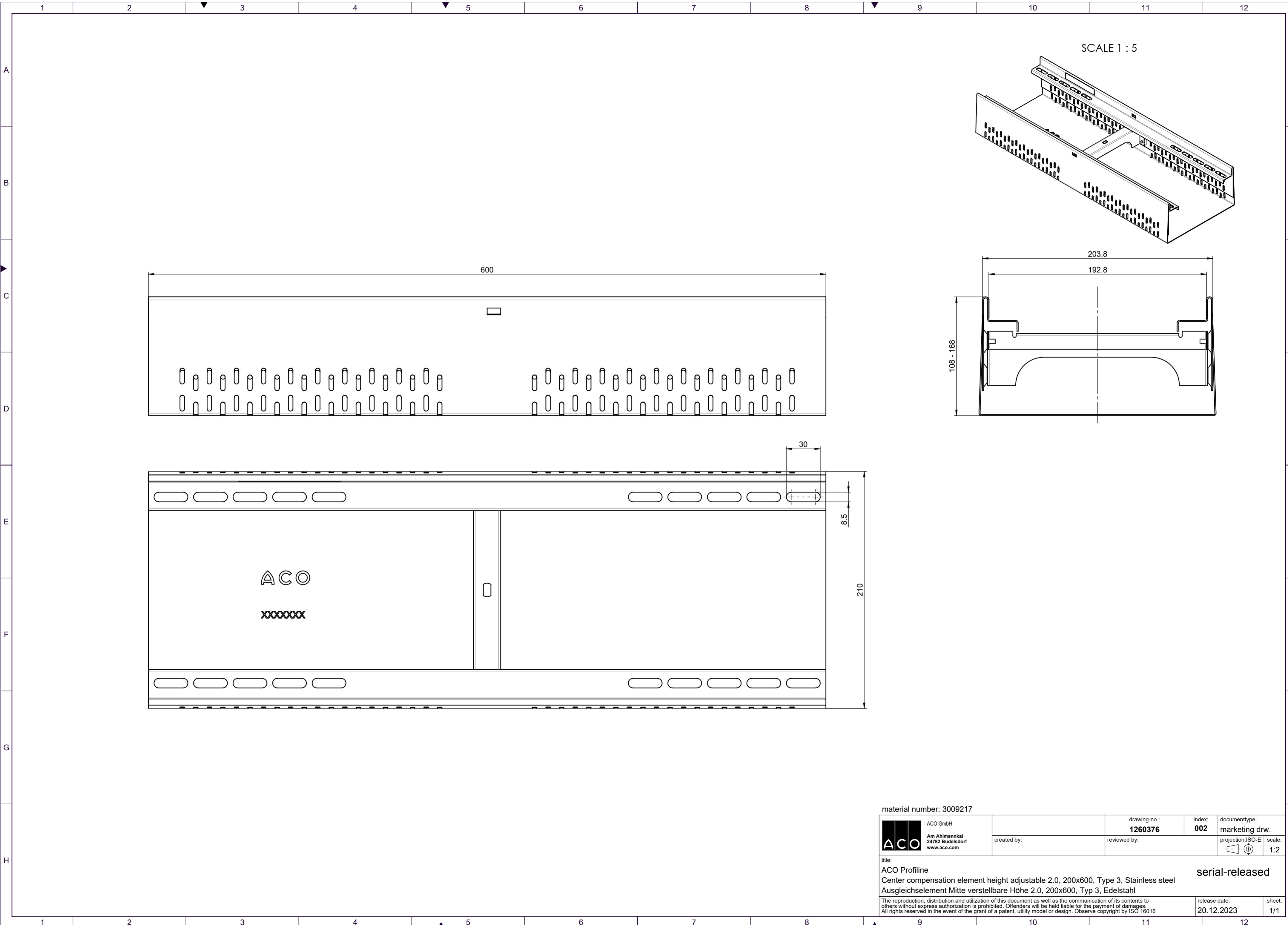
title:  
**ACO Profiline**  
 Center compensation element height adjustable 2.0, 155x600, Type 3, Stainless steel  
 Ausgleichselement Mitte verstellbare Höhe 2.0, 155x600, Typ 3, Edelstahl

serial-released

The reproduction, distribution and utilization of this document as well as the communication of its contents to others without express authorization is prohibited. Offenders will be held liable for the payment of damages. All rights reserved in the event of the grant of a patent, utility model or design. Observe copyright by ISO 16016

release date: 20.12.2023	sheet: 1/1
-----------------------------	---------------

1 2 3 4 5 6 7 8 9 10 11 12



SCALE 1 : 5

600

203.8

192.8

108 - 168

30

8.5

210

ACO

XXXXXX

material number: 3009217



drawing-no.:  
**1260376**

index:  
**002**

documenttype:  
**marketing drw.**

projection: ISO-E

scale:  
**1:2**

title:  
**ACO Profiline**  
**Center compensation element height adjustable 2.0, 200x600, Type 3, Stainless steel**  
**Ausgleichselement Mitte verstellbare Höhe 2.0, 200x600, Typ 3, Edelstahl**

serial-released

The reproduction, distribution and utilization of this document as well as the communication of its contents to others without express authorization is prohibited. Offenders will be held liable for the payment of damages. All rights reserved in the event of the grant of a patent, utility model or design. Observe copyright by ISO 16016

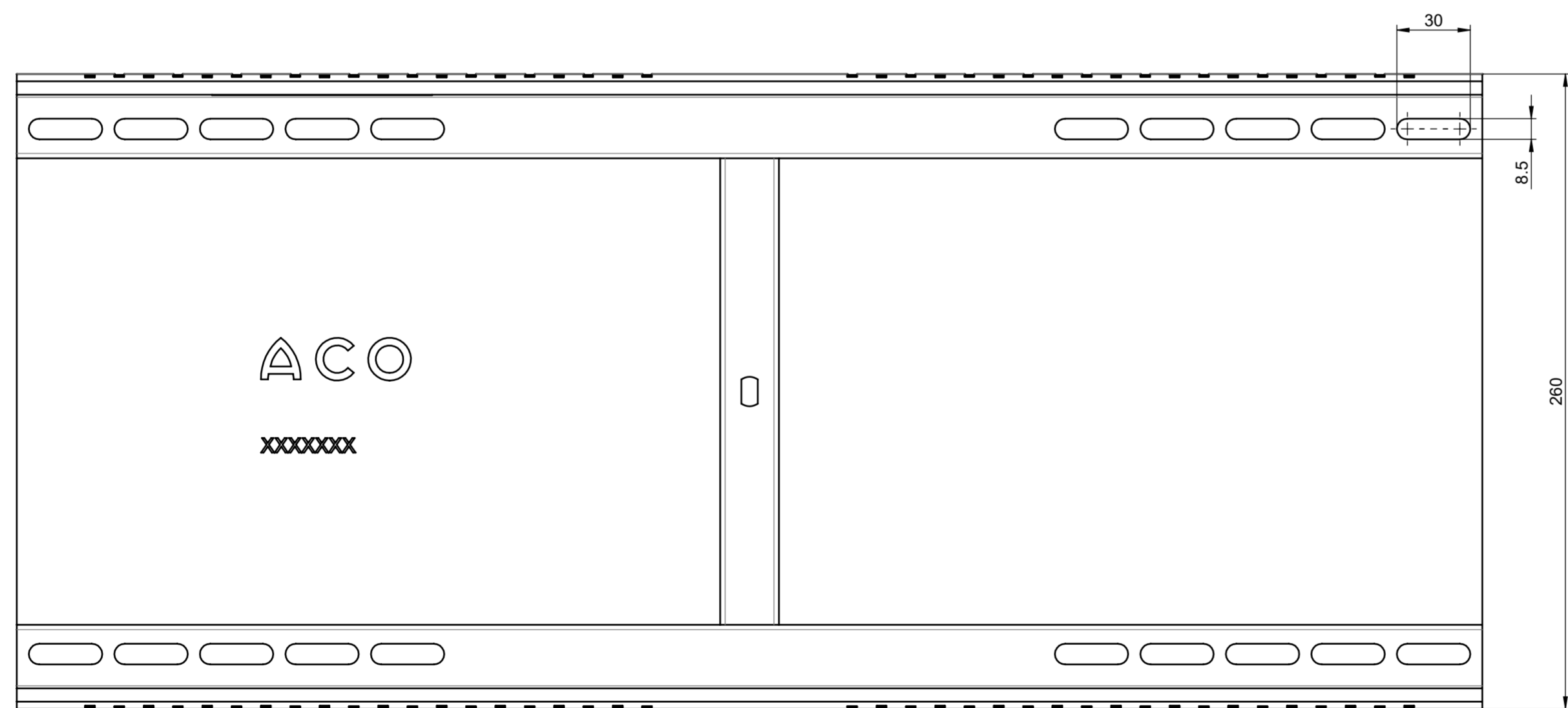
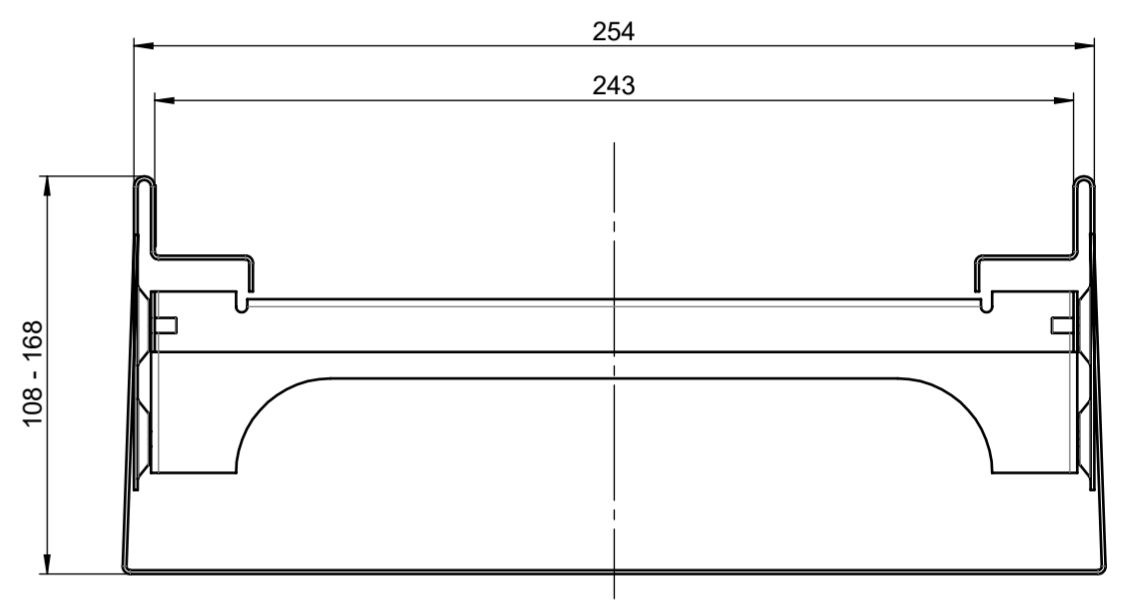
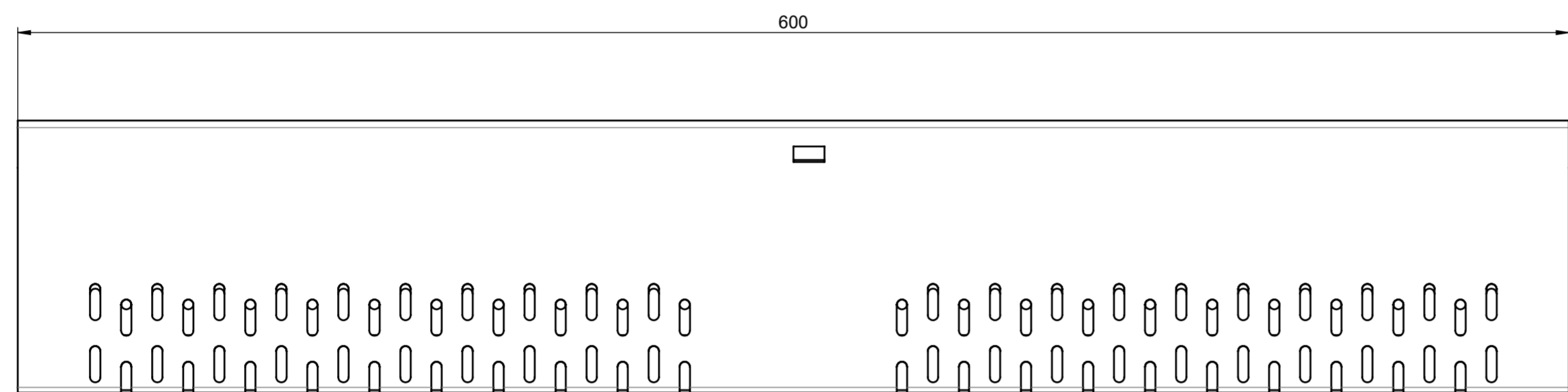
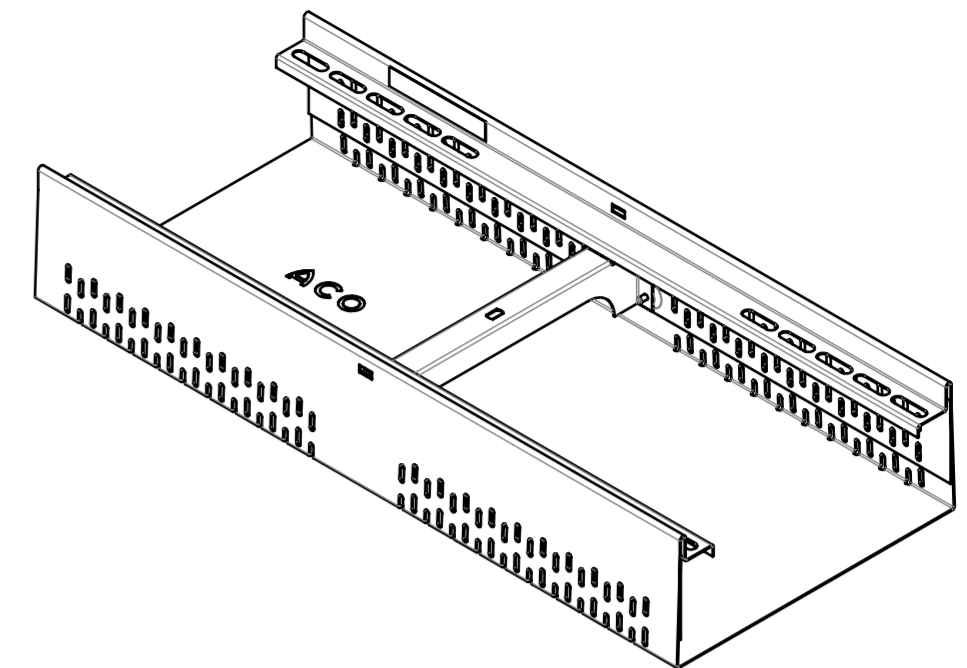
release date:  
**20.12.2023**

sheet:  
**1/1**


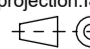
1 2 3 4 5 6 7 8 9 10 11 12

A  
B  
C  
D  
E  
F  
G  
H

SCALE 1 : 5



material number: 3009226

 ACO GmbH Am Ahlmannkai 24782 Büdelsdorf www.aco.com	drawing-no.: <b>1256258</b>	index: <b>002</b>	documenttype: marketing drw.
	created by:	reviewed by:	projection: ISO-E  scale: 1:2

title:  
**ACO Profiline**  
 Center compensation element height adjustable 2.0, 250x600, Type 3, Stainless steel  
 Ausgleichselement Mitte verstellbare Höhe 2.0, 250x600, Typ 3, Edelstahl

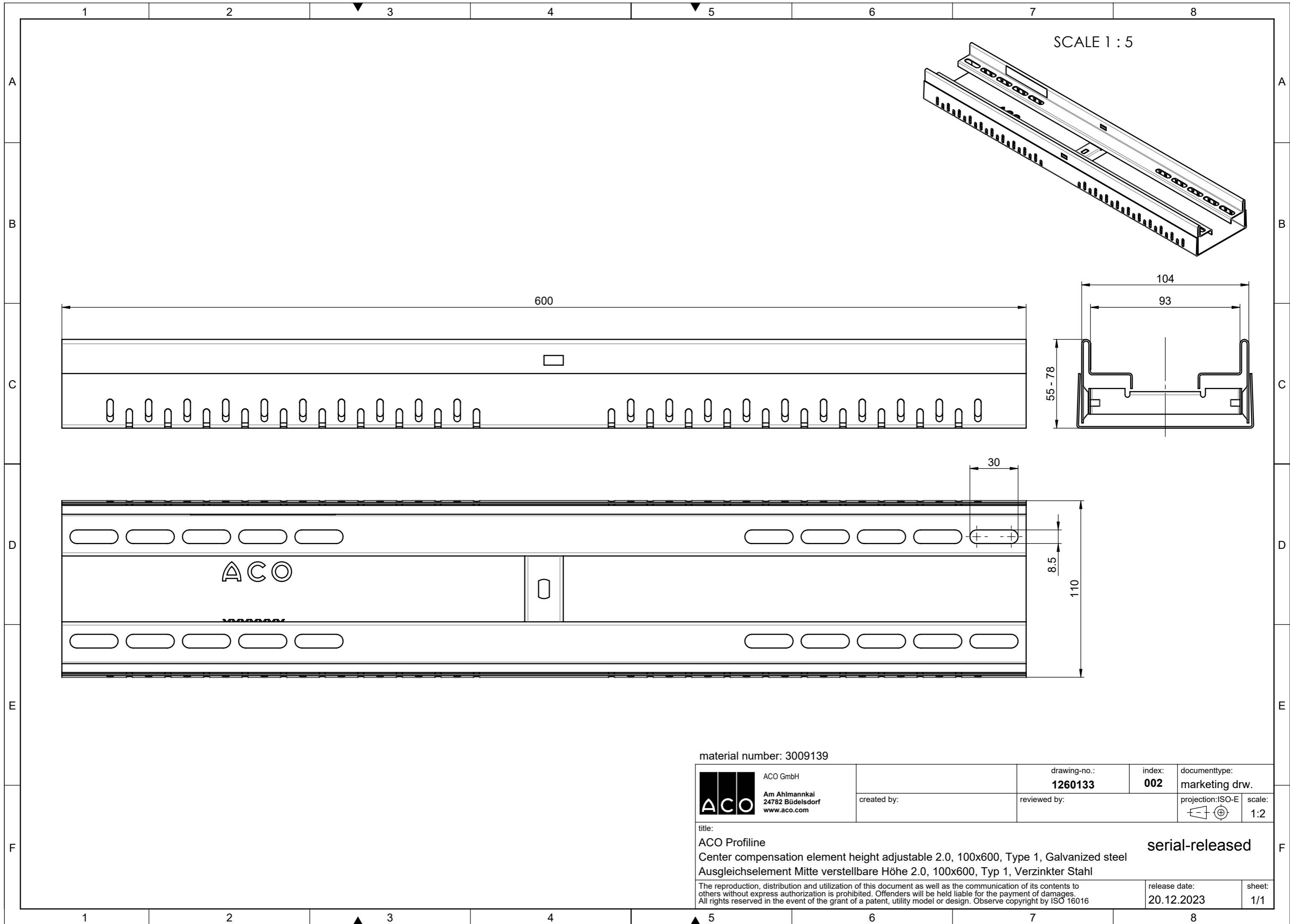
serial-released

The reproduction, distribution and utilization of this document as well as the communication of its contents to others without express authorization is prohibited. Offenders will be held liable for the payment of damages. All rights reserved in the event of the grant of a patent, utility model or design. Observe copyright by ISO 16016

release date:  
**20.12.2023**

sheet:  
**1/1**

1 2 3 4 5 6 7 8 9 10 11 12



SCALE 1 : 5

600

104

93

55 - 78


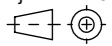
30

8.5

110

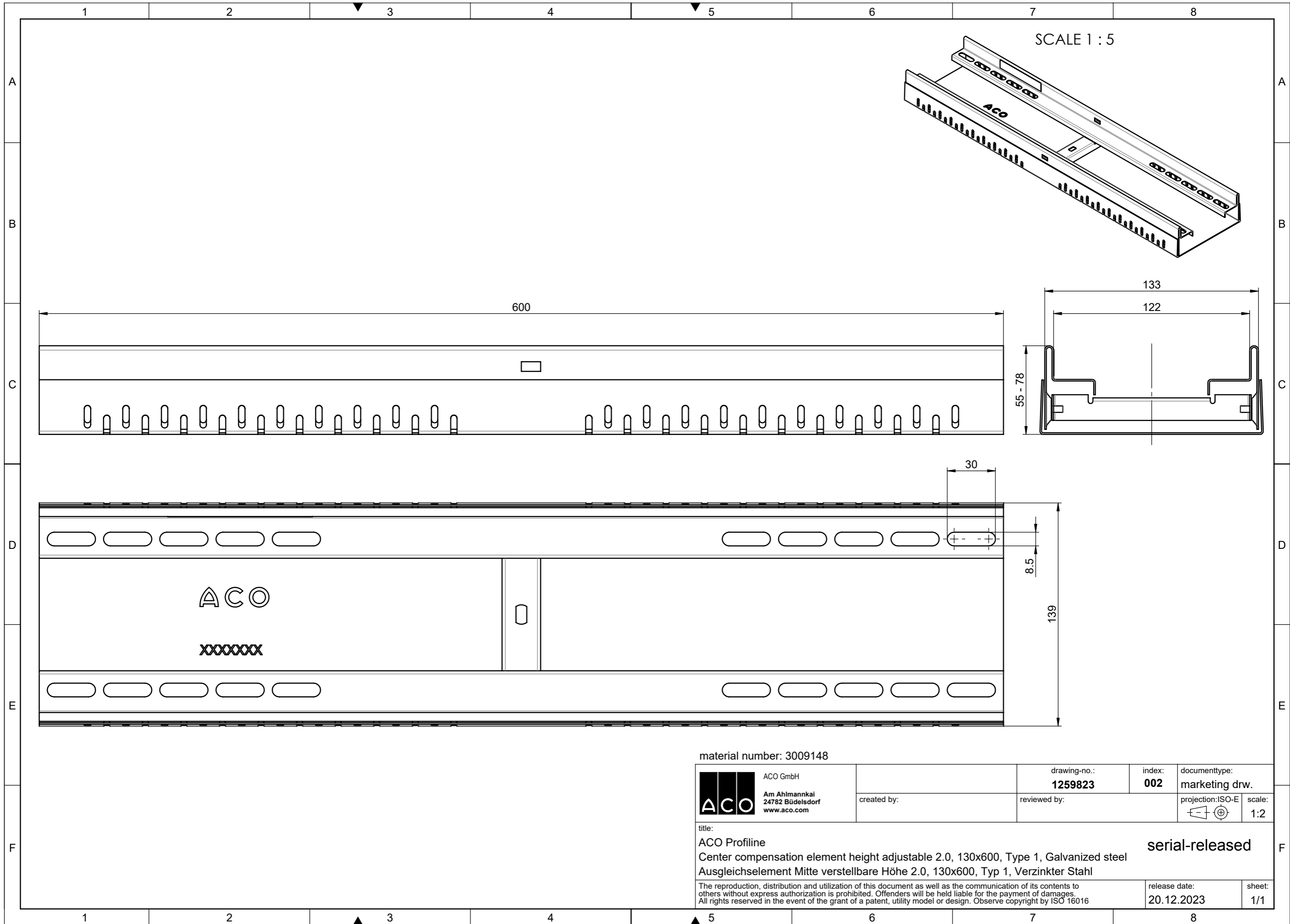
ACO

material number: 3009139

 ACO GmbH Am Ahlmannkai 24782 Büdelsdorf www.aco.com	drawing-no.: <b>1260133</b>	index: <b>002</b>	documenttype: marketing drw.
	created by:	reviewed by:	projection: ISO-E 
title: <b>ACO Proflin</b> Center compensation element height adjustable 2.0, 100x600, Type 1, Galvanized steel Ausgleichselement Mitte verstellbare Höhe 2.0, 100x600, Typ 1, Verzinkter Stahl			serial-released
<small>The reproduction, distribution and utilization of this document as well as the communication of its contents to others without express authorization is prohibited. Offenders will be held liable for the payment of damages. All rights reserved in the event of the grant of a patent, utility model or design. Observe copyright by ISO 16016</small>			release date: 20.12.2023
			sheet: 1/1

S:\projekte\2019\001\_A3\_Verstell\_22





SCALE 1 : 5

600

133

122

55 - 78

30


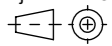
8.5

139

ACO

XXXXXXX

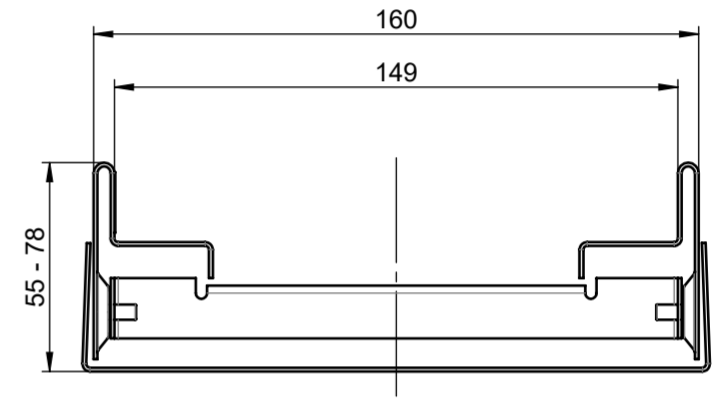
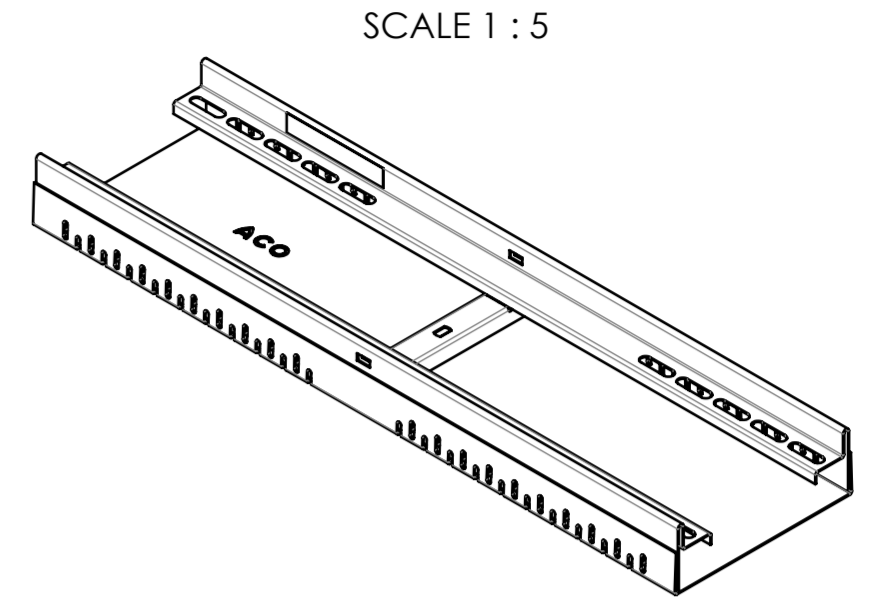
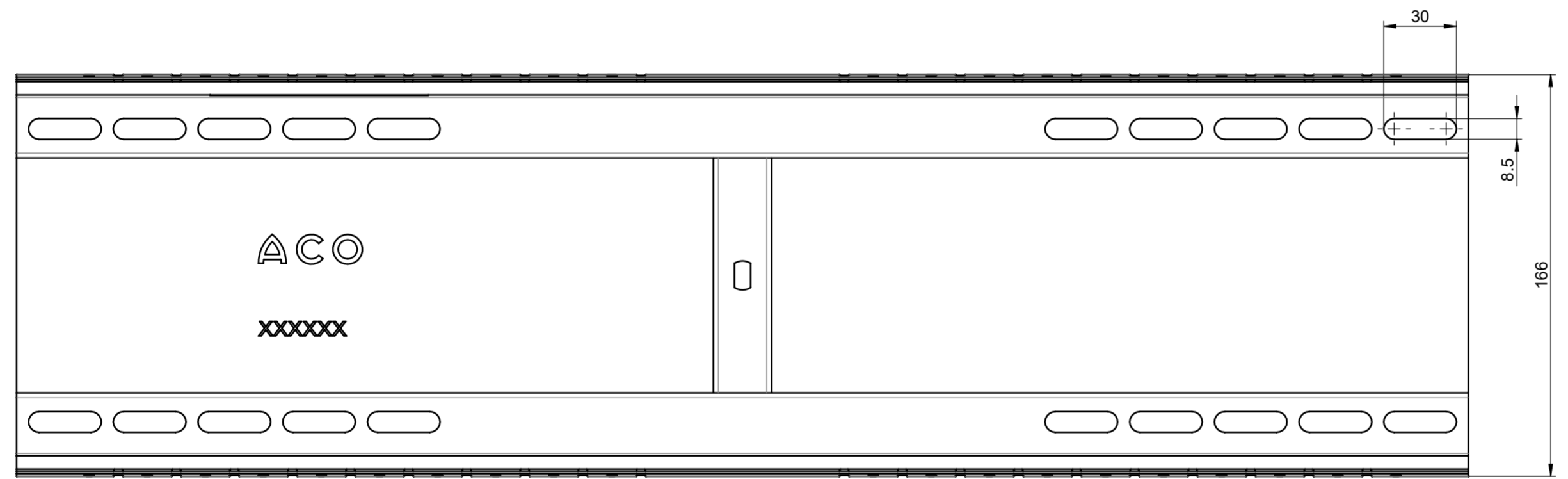
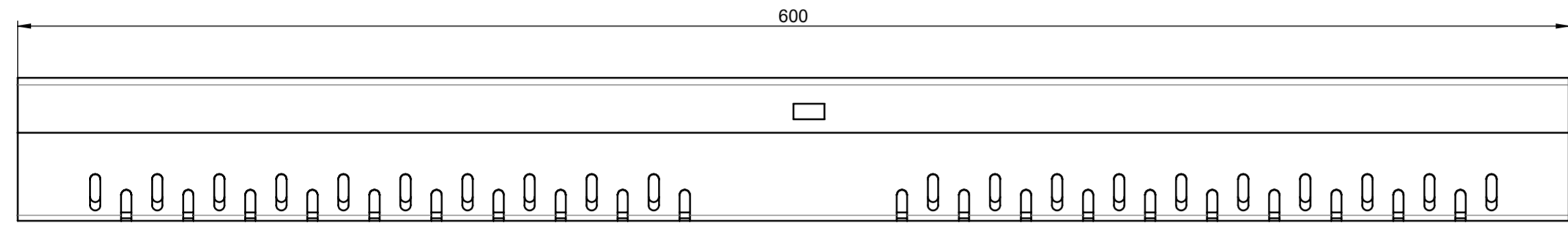
material number: 3009148

 ACO GmbH Am Ahlmannkai 24782 Büdelsdorf www.aco.com	drawing-no.: <b>1259823</b>	index: <b>002</b>	documenttype: marketing drw.
	created by:	reviewed by:	projection: ISO-E 
title: ACO Proffline Center compensation element height adjustable 2.0, 130x600, Type 1, Galvanized steel Ausgleichselement Mitte verstellbare Höhe 2.0, 130x600, Typ 1, Verzinkter Stahl			serial-released
<small>The reproduction, distribution and utilization of this document as well as the communication of its contents to others without express authorization is prohibited. Offenders will be held liable for the payment of damages. All rights reserved in the event of the grant of a patent, utility model or design. Observe copyright by ISO 16016</small>			release date: 20.12.2023
			sheet: 1/1


S:\projekte\2019\001\_A3\_Verstell22

1 2 3 4 5 6 7 8 9 10 11 12

A  
B  
C  
D  
E  
F  
G  
H



material number: 3009157

 ACO GmbH Am Ahlmannkai 24782 Büdelsdorf www.aco.com	created by:	drawing-no.: <b>1263117</b>	index: <b>002</b>	documenttype: marketing drw.
	reviewed by:	projection: ISO-E	scale: 1:2	

title:  
ACO Profiline  
Center compensation element height adjustable 2.0, 155x600, Type 1, Galvanized steel  
Ausgleichselement Mitte verstellbare Höhe 2.0, 155x600, Typ 1, Verzinkter Stahl

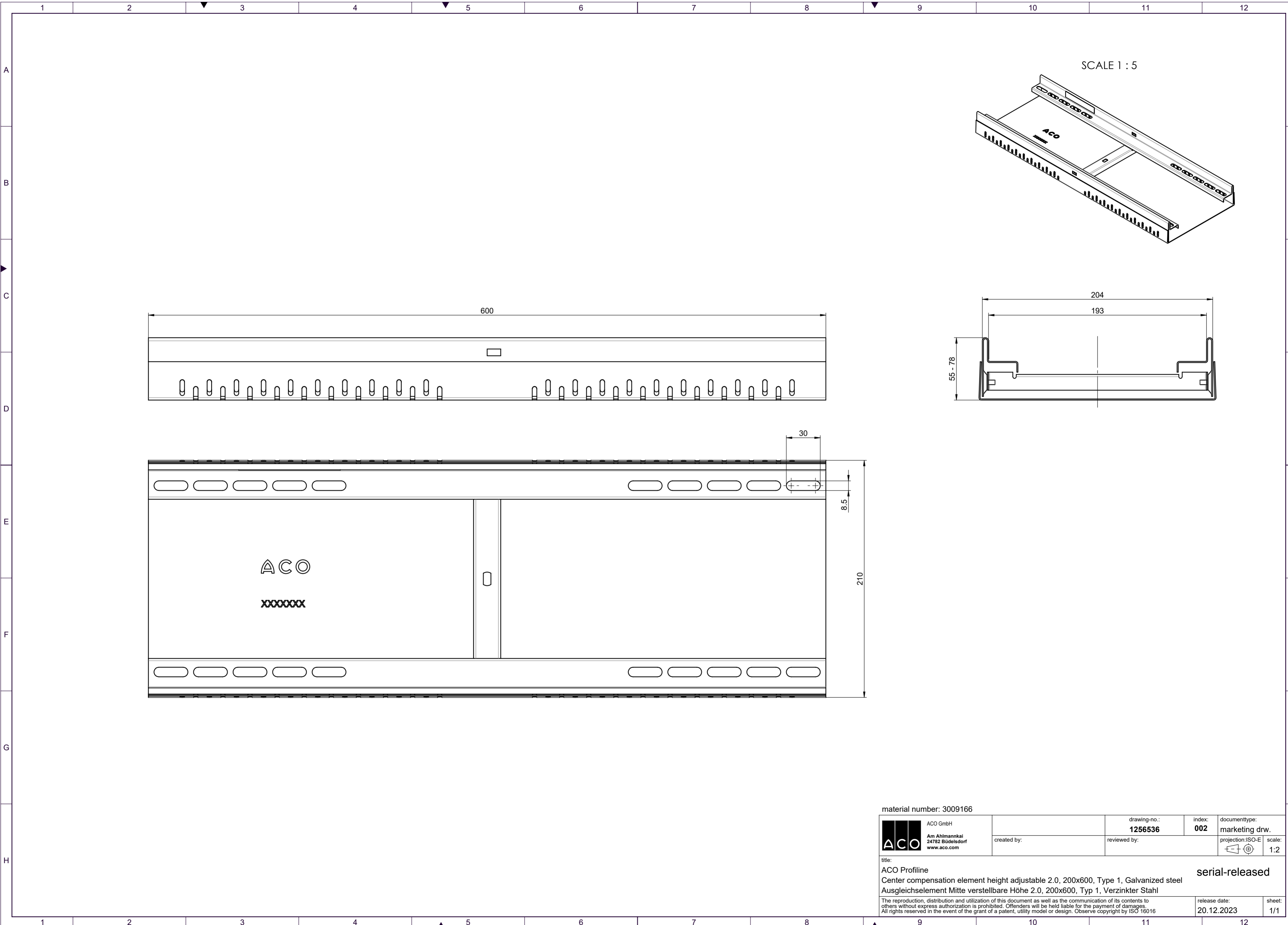
serial-released

The reproduction, distribution and utilization of this document as well as the communication of its contents to others without express authorization is prohibited. Offenders will be held liable for the payment of damages. All rights reserved in the event of the grant of a patent, utility model or design. Observe copyright by ISO 16016


release date: 20.12.2023

sheet: 1/1

1 2 3 4 5 6 7 8 9 10 11 12



material number: 3009166

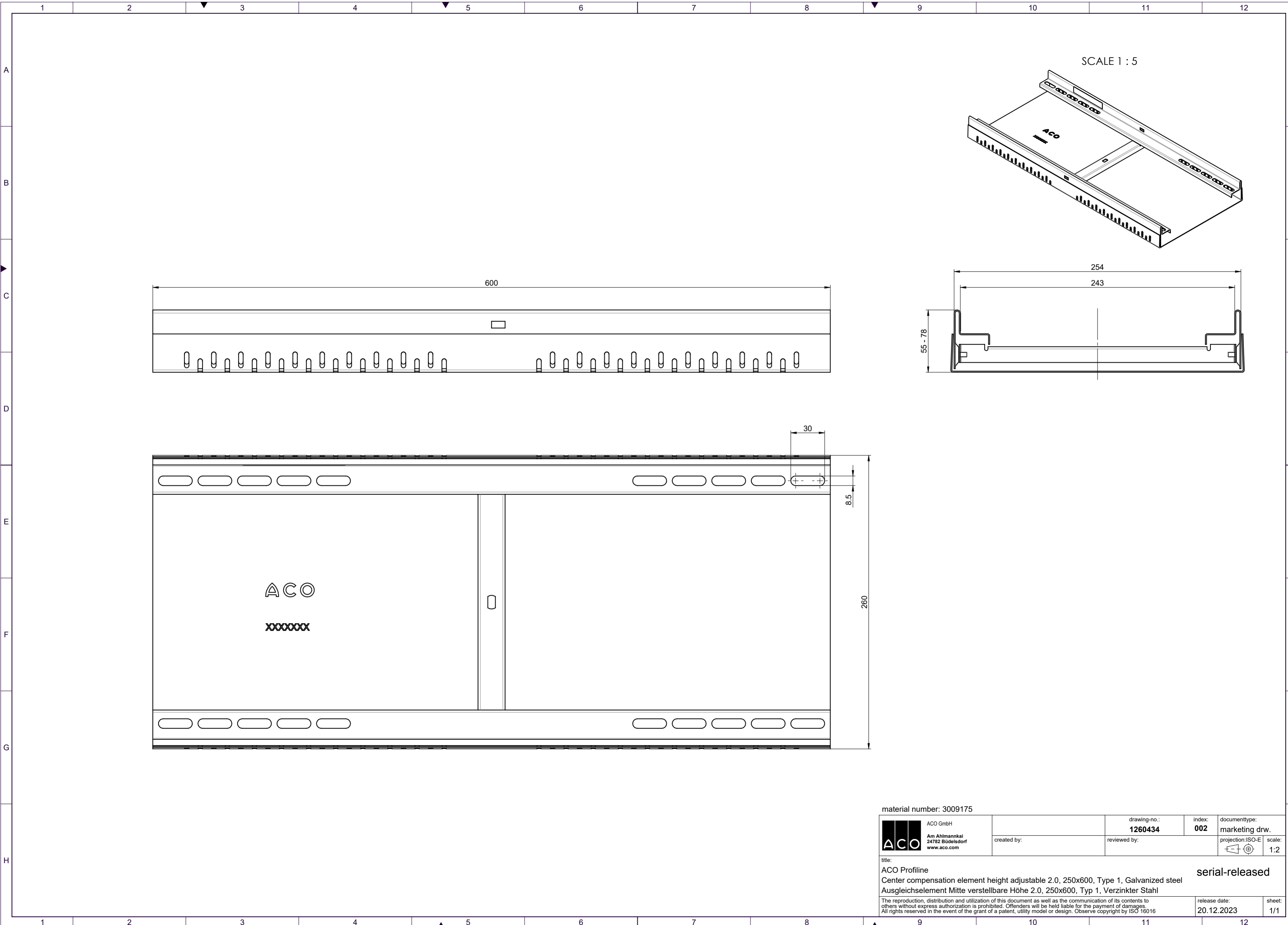
 ACO GmbH Am Ahlmannkai 24782 Büdelsdorf www.aco.com	drawing-no.: <b>1256536</b>	index: <b>002</b>	documenttype: marketing drw.
	created by:	reviewed by:	projection: ISO-E scale: 1:2

title:  
**ACO Profiline**  
 Center compensation element height adjustable 2.0, 200x600, Type 1, Galvanized steel  
 Ausgleichselement Mitte verstellbare Höhe 2.0, 200x600, Typ 1, Verzinkter Stahl

serial-released

The reproduction, distribution and utilization of this document as well as the communication of its contents to others without express authorization is prohibited. Offenders will be held liable for the payment of damages. All rights reserved in the event of the grant of a patent, utility model or design. Observe copyright by ISO 16016

release date:  
20.12.2023  
sheet:  
1/1



SCALE 1 : 5

600

254

243

55 - 78

30

8.5

260

ACO

XXXXXXX

material number: 3009175

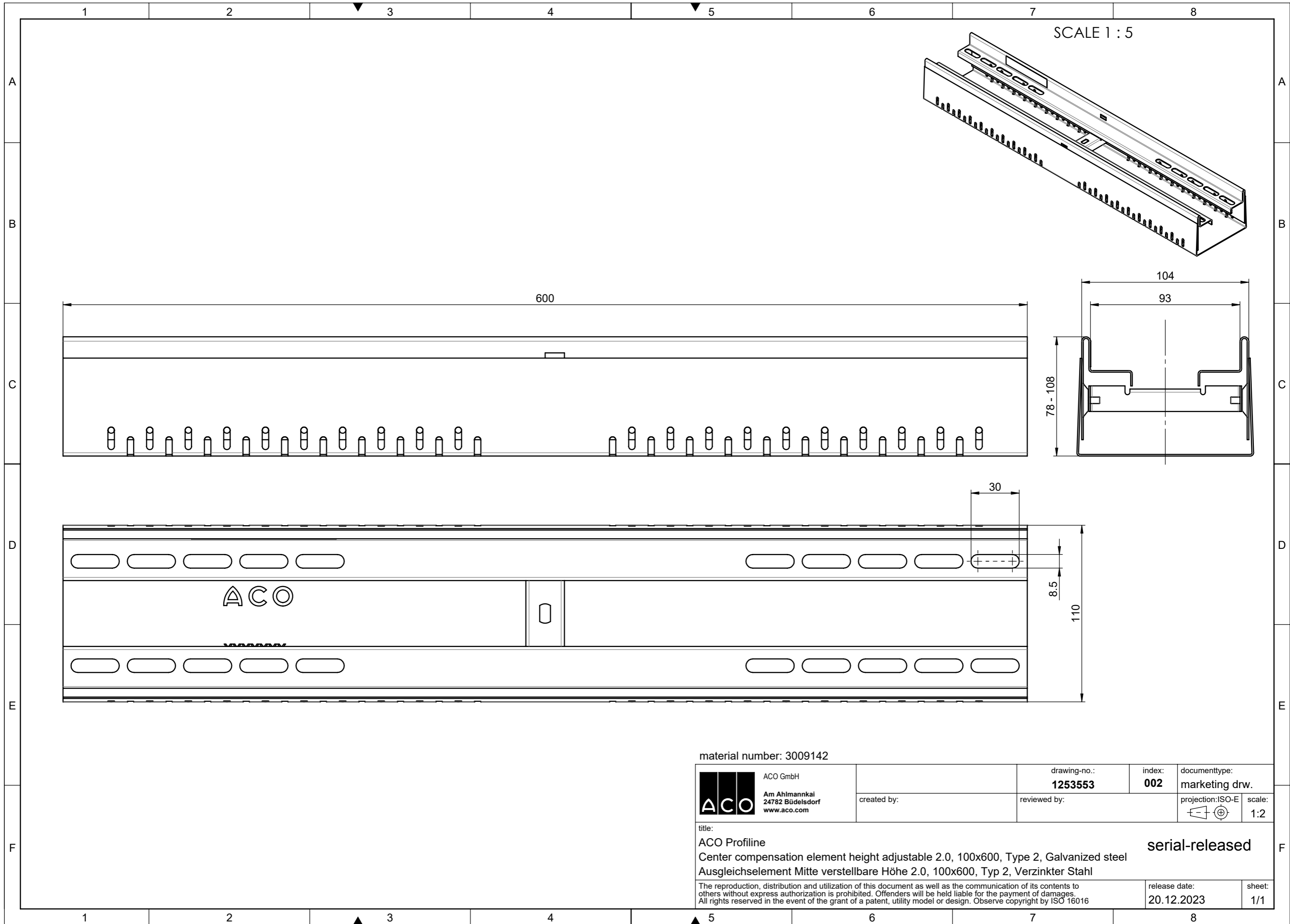
ACO GmbH  
Am Ahlmannkai  
24782 Büdelsdorf  
www.aco.com

drawing-no.:  
**1260434**  
index:  
**002**  
documenttype:  
marketing drw.  
projection: ISO-E  
scale:  
1:2


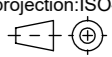
created by:  
reviewed by:  
title:  
ACO Profiline  
Center compensation element height adjustable 2.0, 250x600, Type 1, Galvanized steel  
Ausgleichselement Mitte verstellbare Höhe 2.0, 250x600, Typ 1, Verzinkter Stahl  
serial-released

The reproduction, distribution and utilization of this document as well as the communication of its contents to others without express authorization is prohibited. Offenders will be held liable for the payment of damages. All rights reserved in the event of the grant of a patent, utility model or design. Observe copyright by ISO 16016

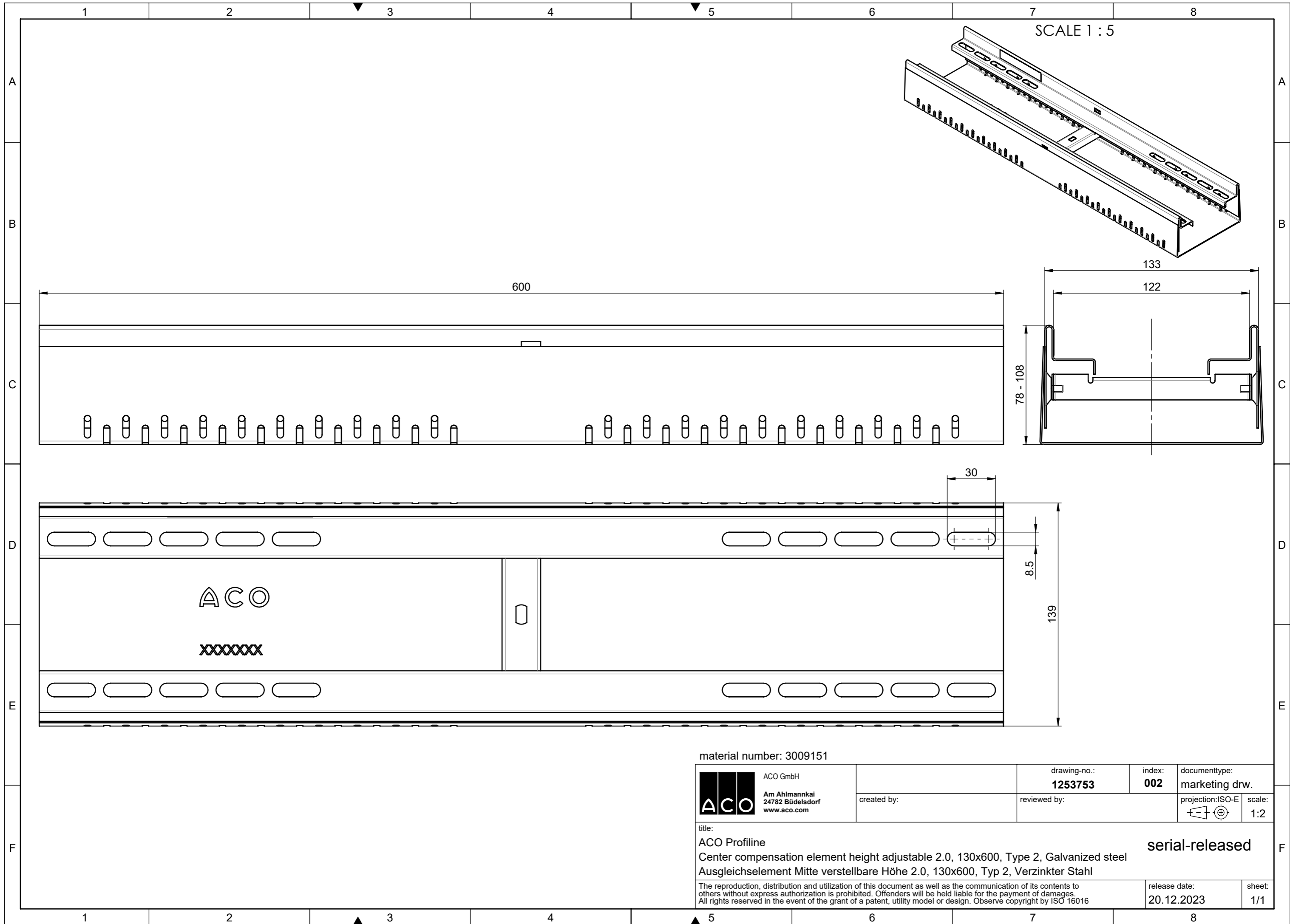
release date:  
20.12.2023  
sheet:  
1/1




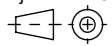
material number: 3009142

 ACO GmbH Am Ahlmannkai 24782 Büdelsdorf www.aco.com	drawing-no.: <b>1253553</b>	index: <b>002</b>	documenttype: marketing drw.
	created by:	reviewed by:	projection: ISO-E 
title: <b>ACO Proflin</b> Center compensation element height adjustable 2.0, 100x600, Type 2, Galvanized steel Ausgleichselement Mitte verstellbare Höhe 2.0, 100x600, Typ 2, Verzinkter Stahl			serial-released release date: <b>20.12.2023</b>
<small>The reproduction, distribution and utilization of this document as well as the communication of its contents to others without express authorization is prohibited. Offenders will be held liable for the payment of damages. All rights reserved in the event of the grant of a patent, utility model or design. Observe copyright by ISO 16016</small>			sheet: <b>1/1</b>

S:\projekte\2019\001\_A3\_Verstell22



material number: 3009151

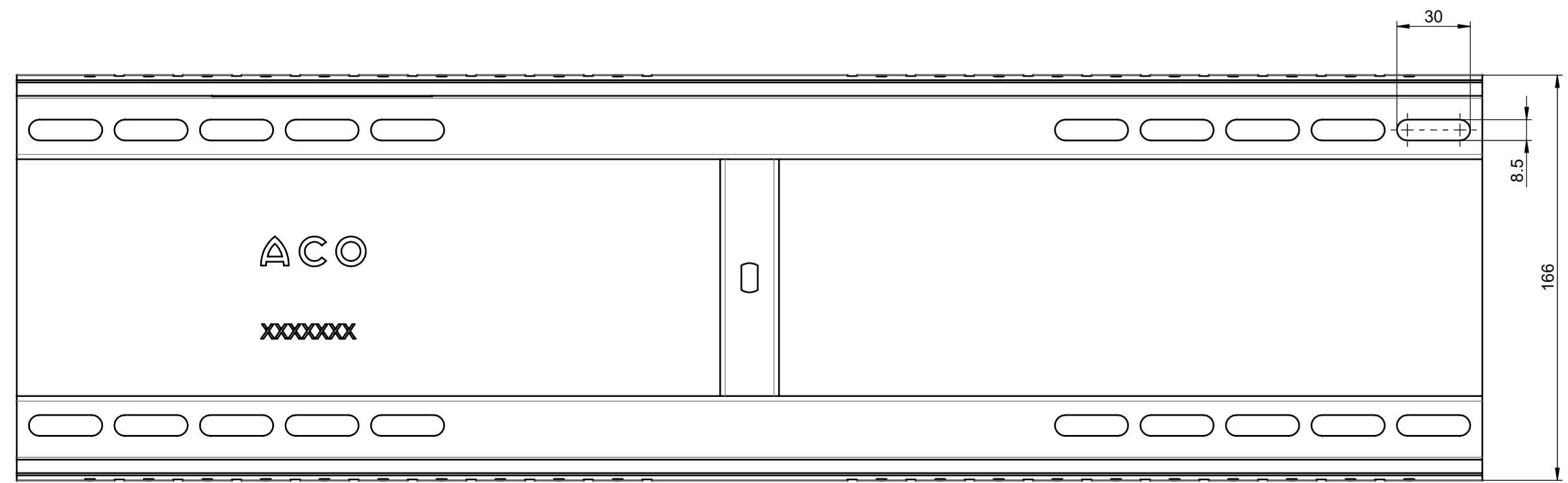
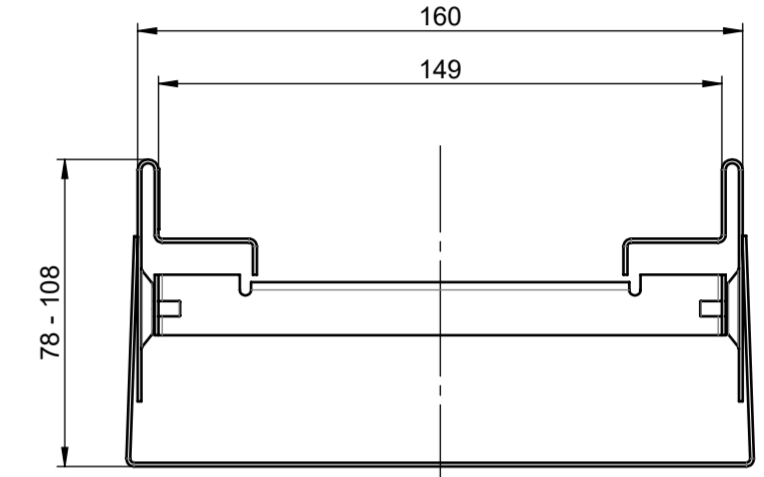
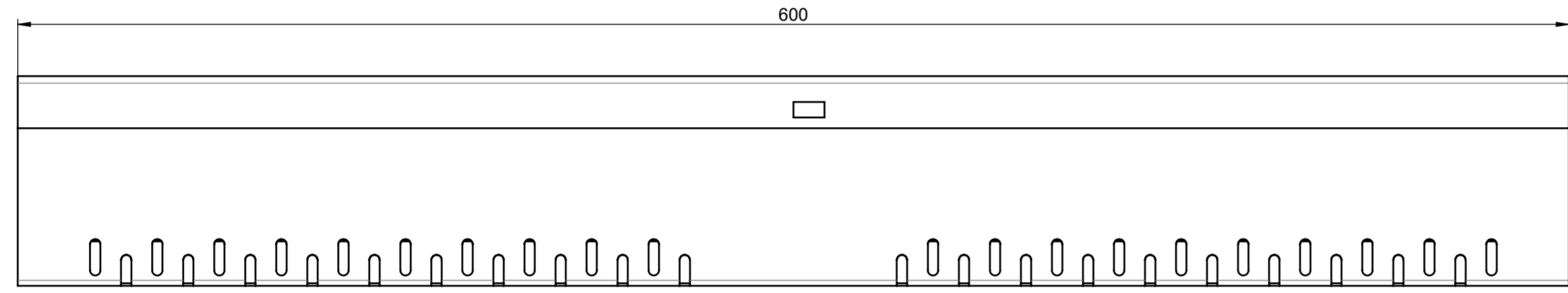
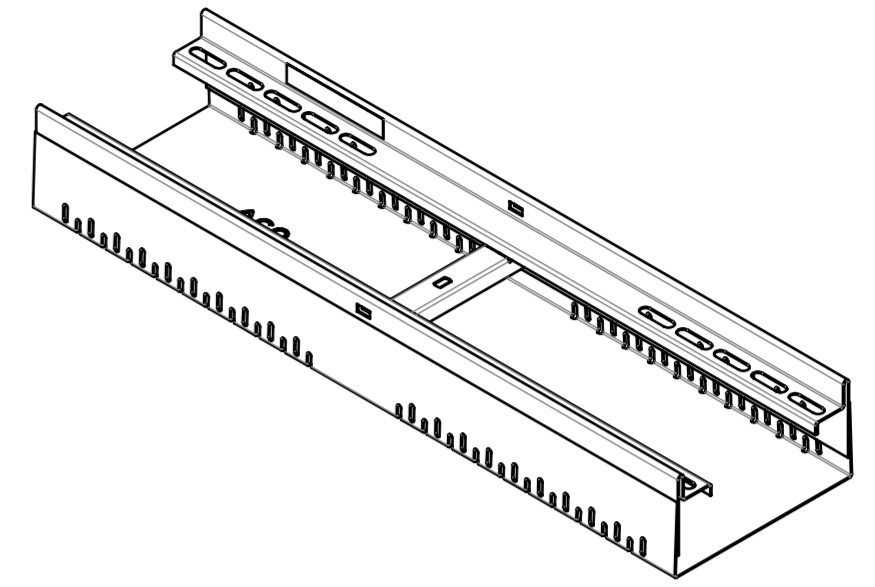
 ACO GmbH Am Ahlmannkai 24782 Büdelsdorf www.aco.com	created by:	drawing-no.: <b>1253753</b>	index: <b>002</b>	documenttype: marketing drw.
	reviewed by:	 scale: 1:2		
title: <b>ACO Proflin</b> Center compensation element height adjustable 2.0, 130x600, Type 2, Galvanized steel Ausgleichselement Mitte verstellbare Höhe 2.0, 130x600, Typ 2, Verzinkter Stahl				<b>serial-released</b>
<small>The reproduction, distribution and utilization of this document as well as the communication of its contents to others without express authorization is prohibited. Offenders will be held liable for the payment of damages. All rights reserved in the event of the grant of a patent, utility model or design. Observe copyright by ISO 16016</small>			release date: 20.12.2023	sheet: 1/1

S:\projekte\2019\001\_A3\_Verstell2



1 2 3 4 5 6 7 8 9 10 11 12

A  
B  
C  
D  
E  
F  
G  
H

SCALE 1:5



material number: 3009160

 ACO GmbH Am Ahlmannkai 24782 Büdelsdorf www.aco.com	drawing-no.: <b>1250132</b>	index: <b>002</b>	documenttype: marketing drw.
	created by:	reviewed by:	projection: ISO-E  scale: 1:2

title:  
**ACO Profiline**  
 Center compensation element height adjustable 2.0, 155x600, Type 2, Galvanized steel  
 Ausgleichselement Mitte verstellbare Höhe 2.0, 155x600, Typ 2, Verzinkter Stahl

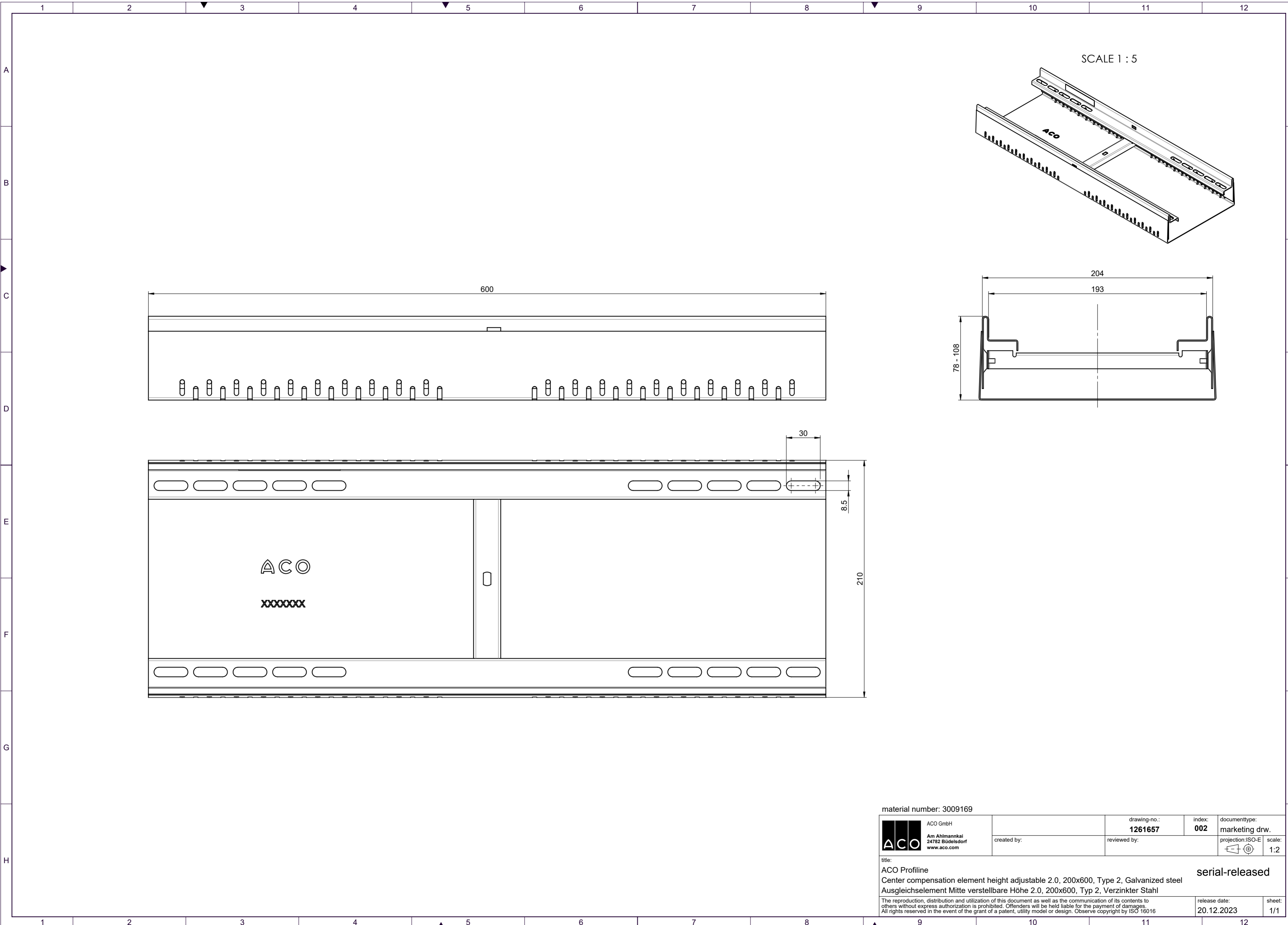
serial-released

The reproduction, distribution and utilization of this document as well as the communication of its contents to others without express authorization is prohibited. Offenders will be held liable for the payment of damages. All rights reserved in the event of the grant of a patent, utility model or design. Observe copyright by ISO 16016

release date:  
**20.12.2023**

sheet:  
**1/1**

1 2 3 4 5 6 7 8 9 10 11 12



SCALE 1 : 5

600

204

193

78 - 108

30

8.5

210

ACO

XXXXXXXX

material number: 3009169

ACO GmbH  
Am Ahlmannkai  
24782 Büdelsdorf  
www.aco.com

drawing-no.:  
**1261657**  
index:  
**002**  
documenttype:  
marketing drw.  
projection: ISO-E  
scale:  
1:2

title:  
ACO Profiline  
Center compensation element height adjustable 2.0, 200x600, Type 2, Galvanized steel  
Ausgleichselement Mitte verstellbare Höhe 2.0, 200x600, Typ 2, Verzinkter Stahl  
serial-released

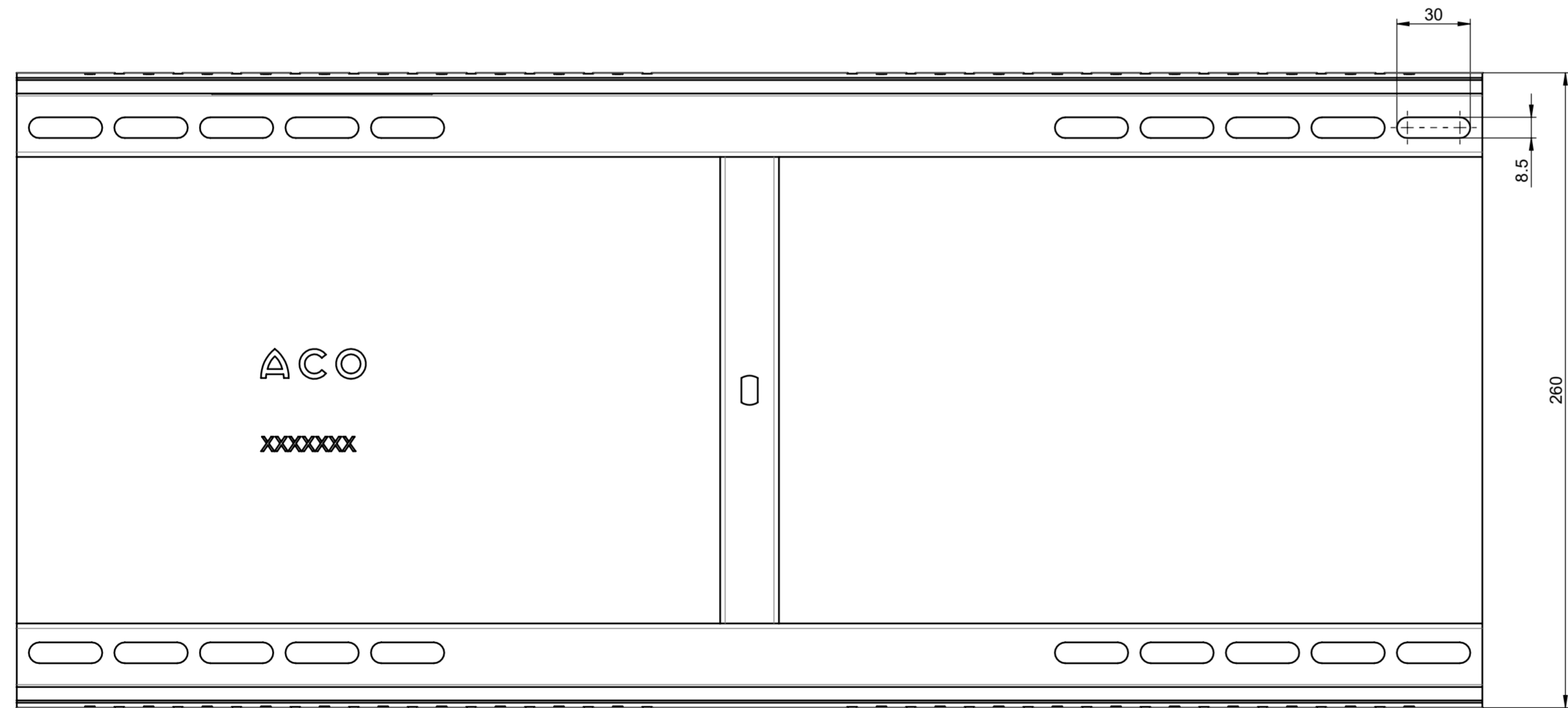
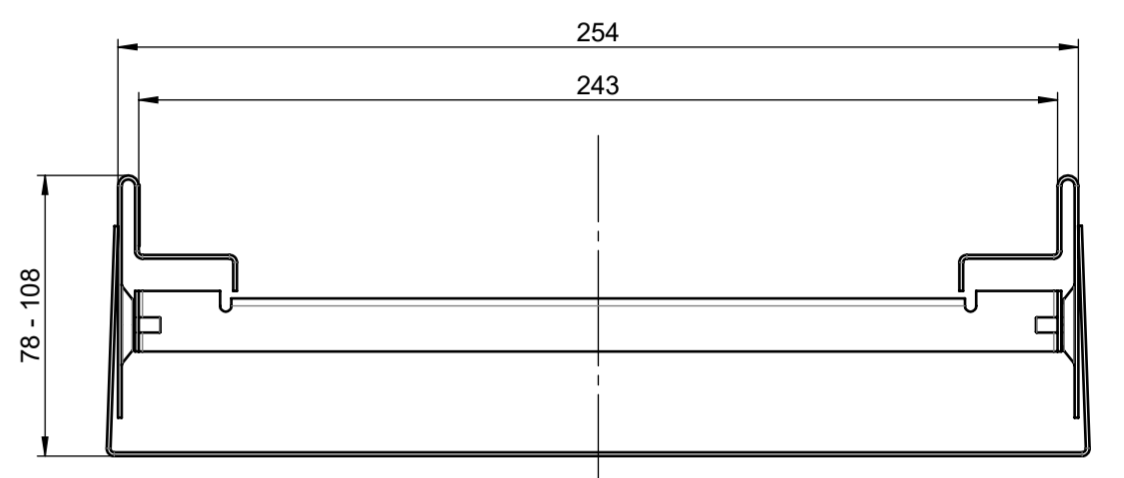
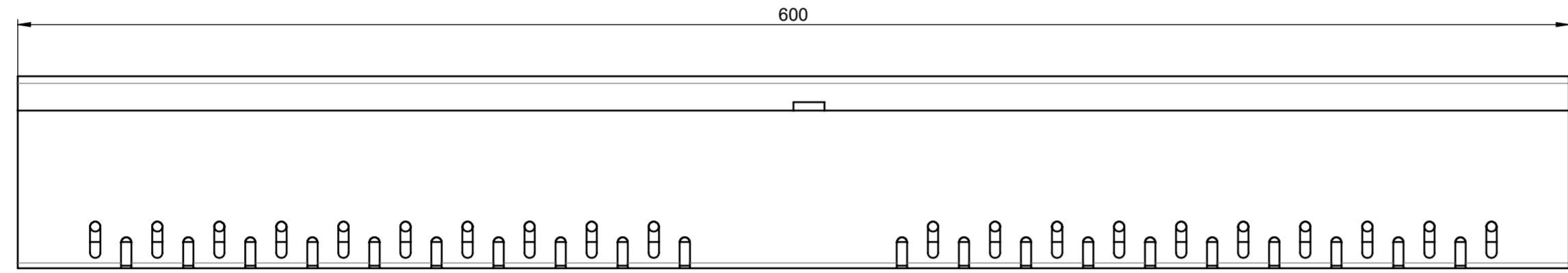
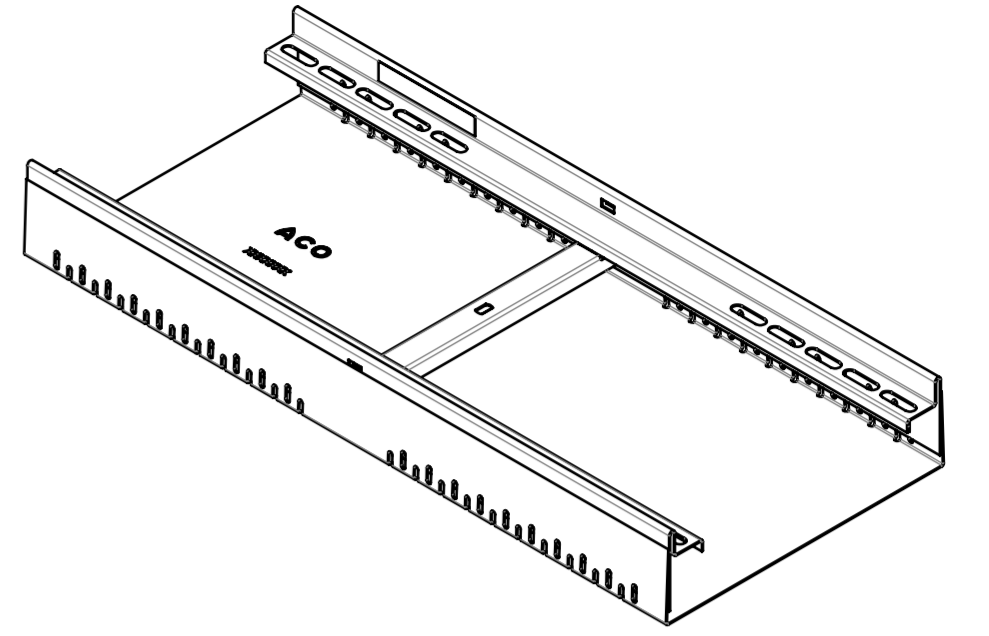
The reproduction, distribution and utilization of this document as well as the communication of its contents to others without express authorization is prohibited. Offenders will be held liable for the payment of damages. All rights reserved in the event of the grant of a patent, utility model or design. Observe copyright by ISO 16016  
release date:  
20.12.2023  
sheet:  
1/1





1 2 3 4 5 6 7 8 9 10 11 12

A  
B  
C  
D  
E  
F  
G  
H

SCALE 1 : 5



material number: 3009178

 ACO GmbH Am Ahlmannkai 24782 Büdelsdorf www.aco.com	drawing-no.: <b>1253615</b>	index: <b>002</b>	documenttype: marketing drw.
	created by:	reviewed by:	projection: ISO-E 

title:  
**ACO Profiline**  
 Center compensation element height adjustable 2.0, 250x600, Type 2, Galvanized steel  
 Ausgleichselement Mitte verstellbare Höhe 2.0, 250x600, Typ 2, Verzinkter Stahl

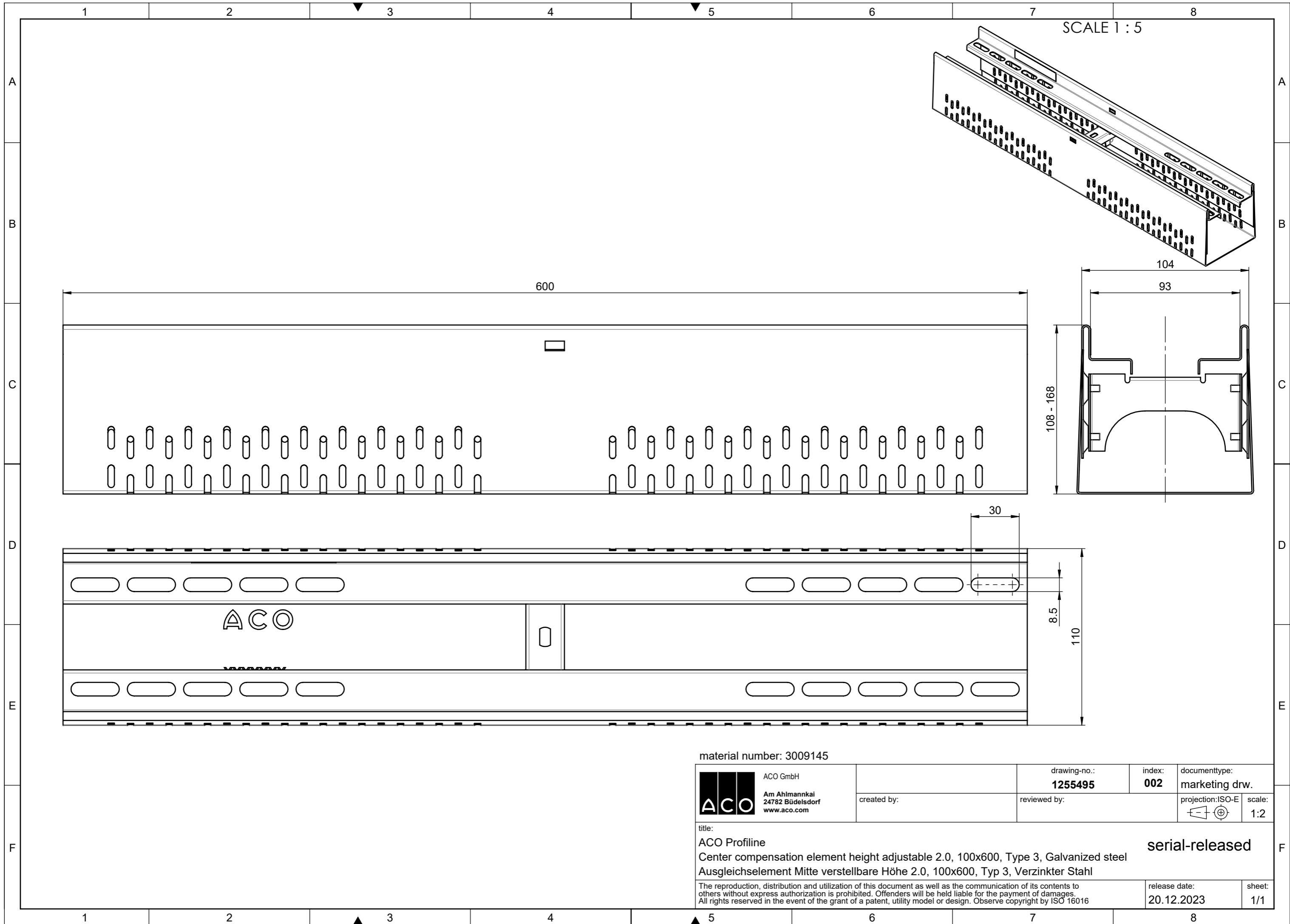
serial-released

The reproduction, distribution and utilization of this document as well as the communication of its contents to others without express authorization is prohibited. Offenders will be held liable for the payment of damages. All rights reserved in the event of the grant of a patent, utility model or design. Observe copyright by ISO 16016


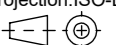
release date:  
 20.12.2023

sheet:  
 1/1

1 2 3 4 5 6 7 8 9 10 11 12



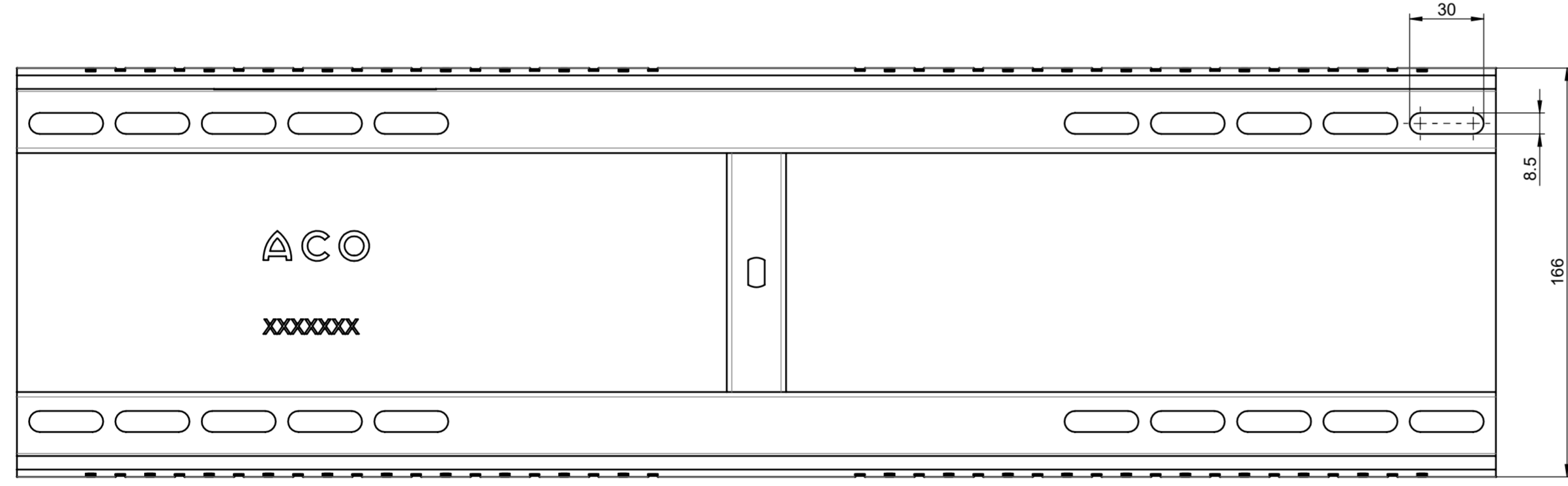
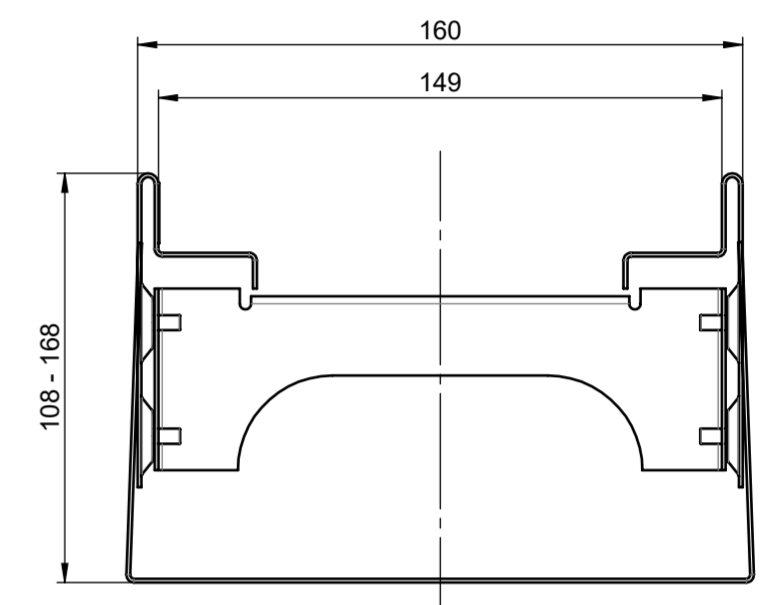
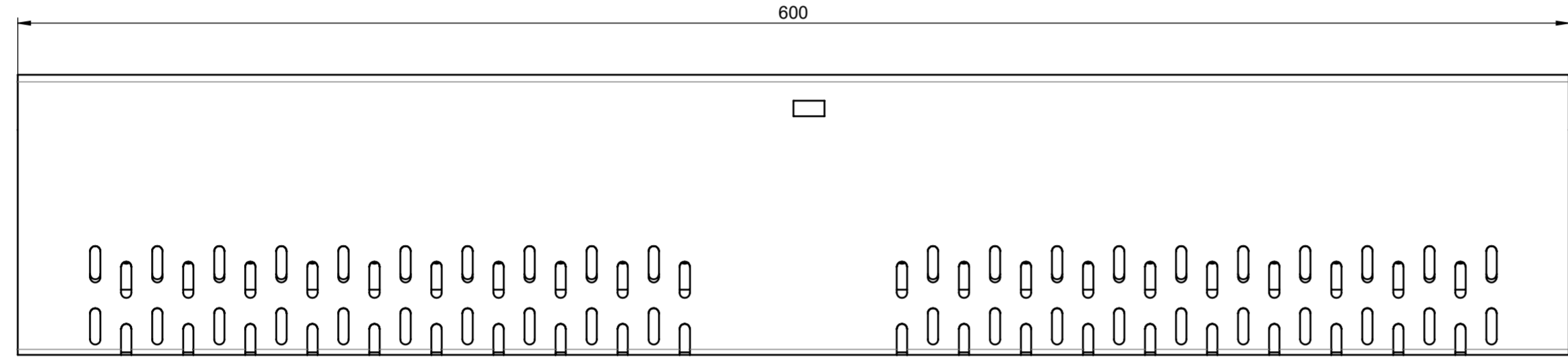
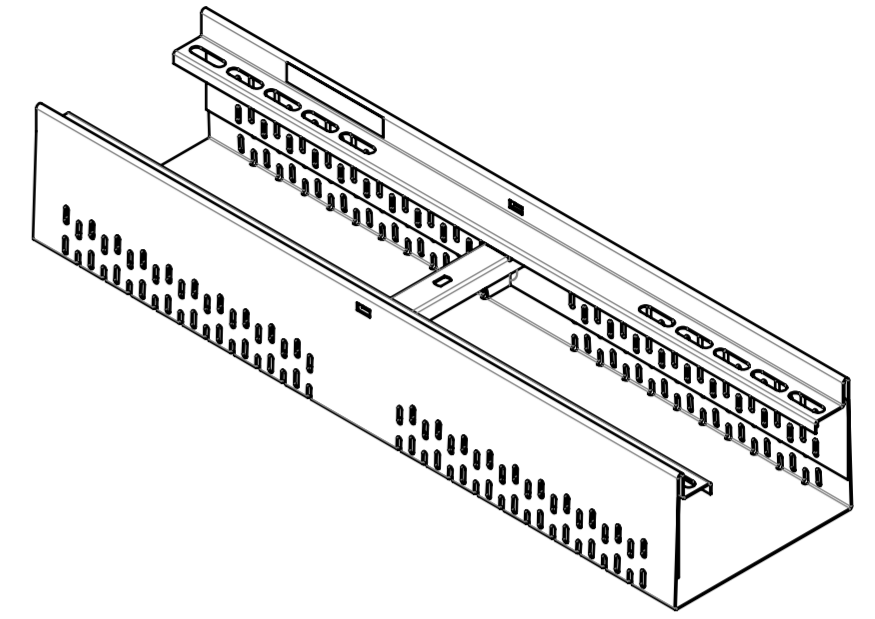
material number: 3009145

 ACO GmbH Am Ahlmannkai 24782 Büdelsdorf www.aco.com	drawing-no.: <b>1255495</b>	index: <b>002</b>	documenttype: marketing drw.
	created by:	reviewed by:	projection:ISO-E 
title: <b>ACO Proflin</b> Center compensation element height adjustable 2.0, 100x600, Type 3, Galvanized steel Ausgleichselement Mitte verstellbare Höhe 2.0, 100x600, Typ 3, Verzinkter Stahl			serial-released release date: <b>20.12.2023</b>
<small>The reproduction, distribution and utilization of this document as well as the communication of its contents to others without express authorization is prohibited. Offenders will be held liable for the payment of damages. All rights reserved in the event of the grant of a patent, utility model or design. Observe copyright by ISO 16016</small>			sheet: <b>1/1</b>



1 2 3 4 5 6 7 8 9 10 11 12

A  
B  
C  
D  
E  
F  
G  
H

SCALE 1 : 5



material number: 3009163

 ACO GmbH Am Ahlmannkai 24782 Büdelsdorf www.aco.com	drawing-no.: <b>1250065</b>	index: <b>002</b>	documenttype: marketing drw.
	created by:	reviewed by:	projection: ISO-E 

title:  
**ACO Profiline**  
 Center compensation element height adjustable 2.0, 155x600, Type 3, Galvanized steel  
 Ausgleichselement Mitte verstellbare Höhe 2.0, 155x600, Typ 3, Verzinkter Stahl

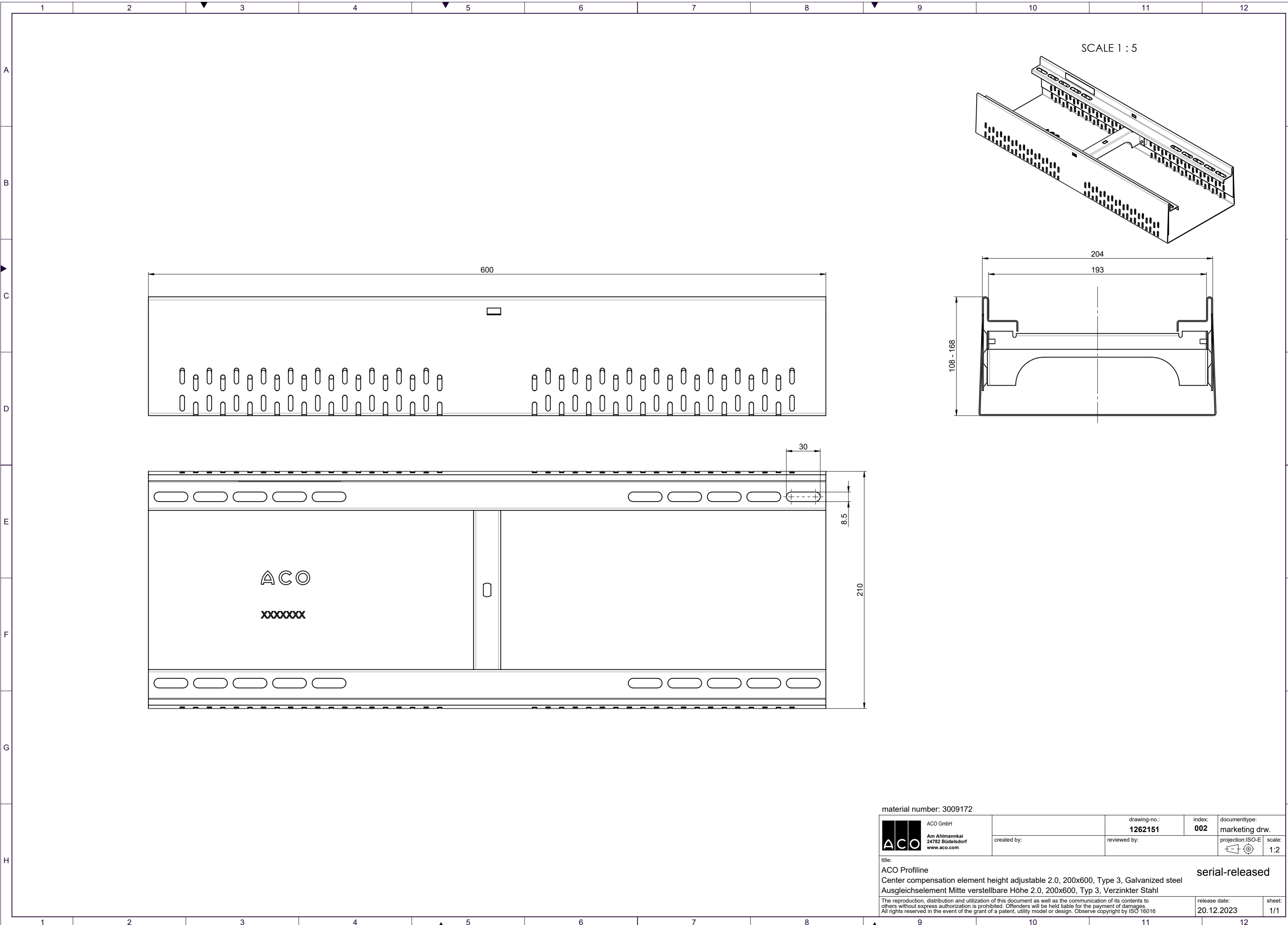
serial-released

The reproduction, distribution and utilization of this document as well as the communication of its contents to others without express authorization is prohibited. Offenders will be held liable for the payment of damages. All rights reserved in the event of the grant of a patent, utility model or design. Observe copyright by ISO 16016

release date:  
**20.12.2023**

sheet:  
**1/1**

1 2 3 4 5 6 7 8 9 10 11 12



SCALE 1 : 5

600

204

193

108 - 168

30

8.5

210

ACO

XXXXXX

material number: 3009172



drawing-no.: 1262151  
index: 002  
created by:  
reviewed by:

documenttype: marketing drw.  
projection: ISO-E  
scale: 1:2

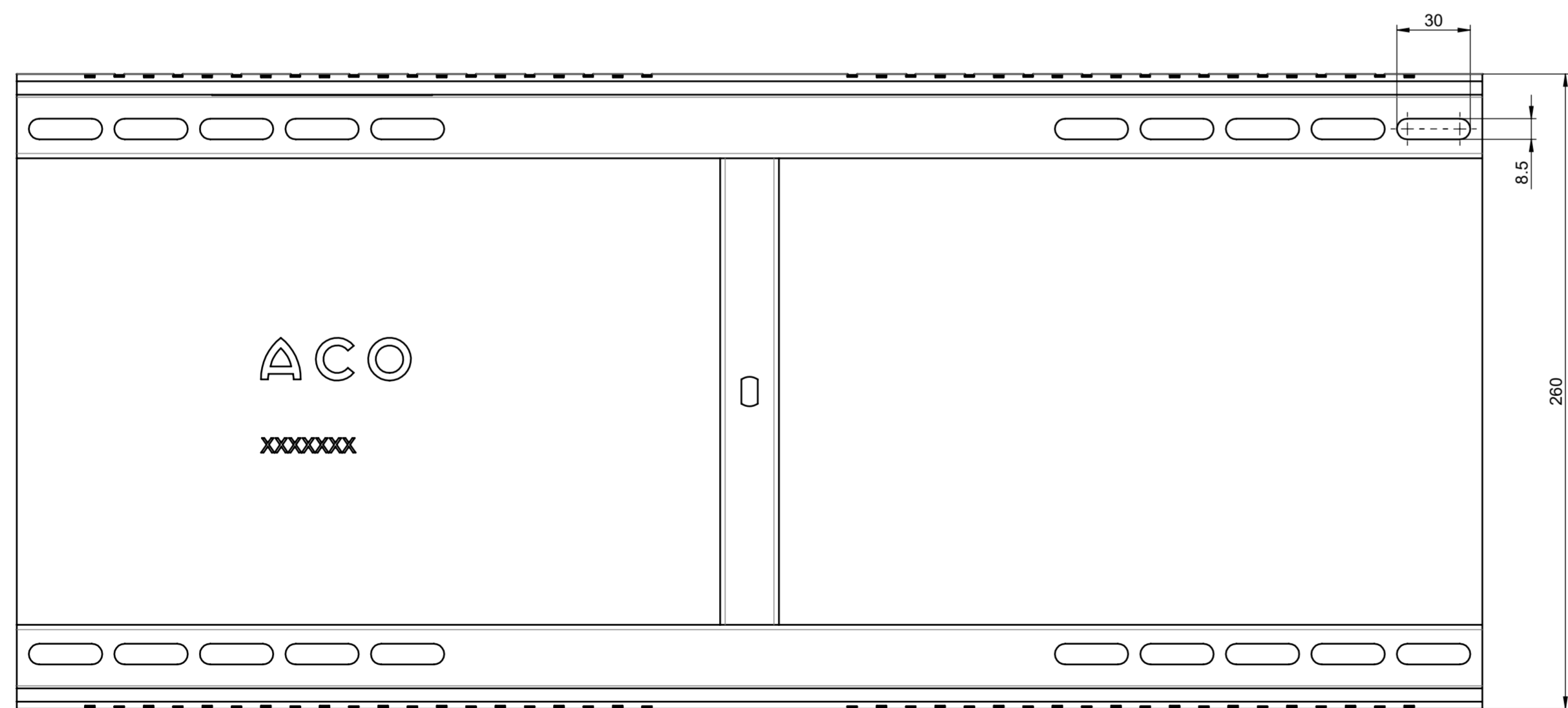
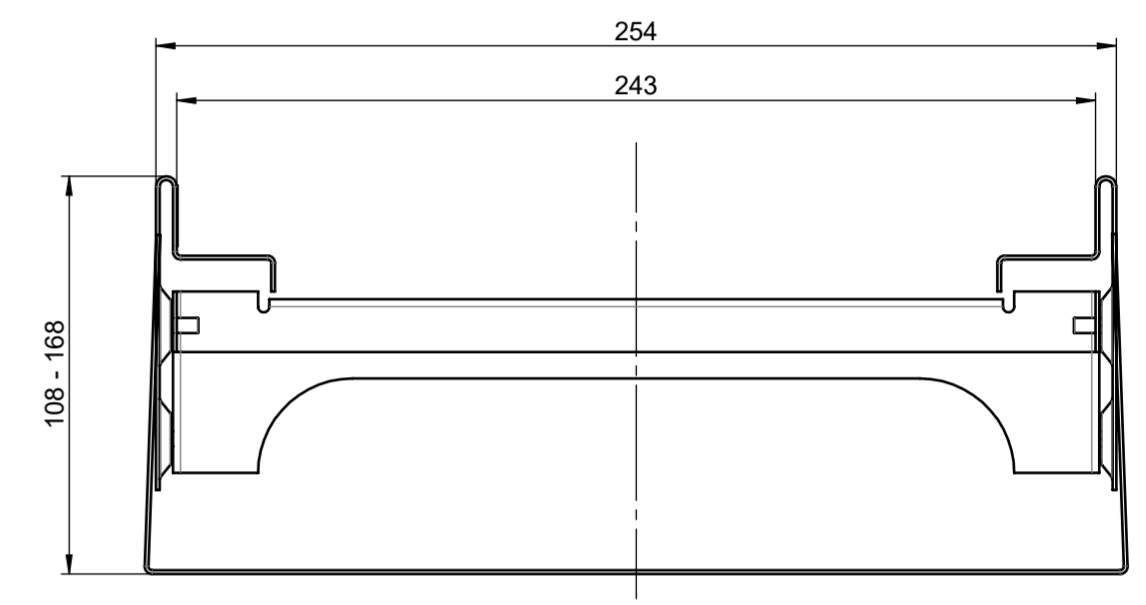
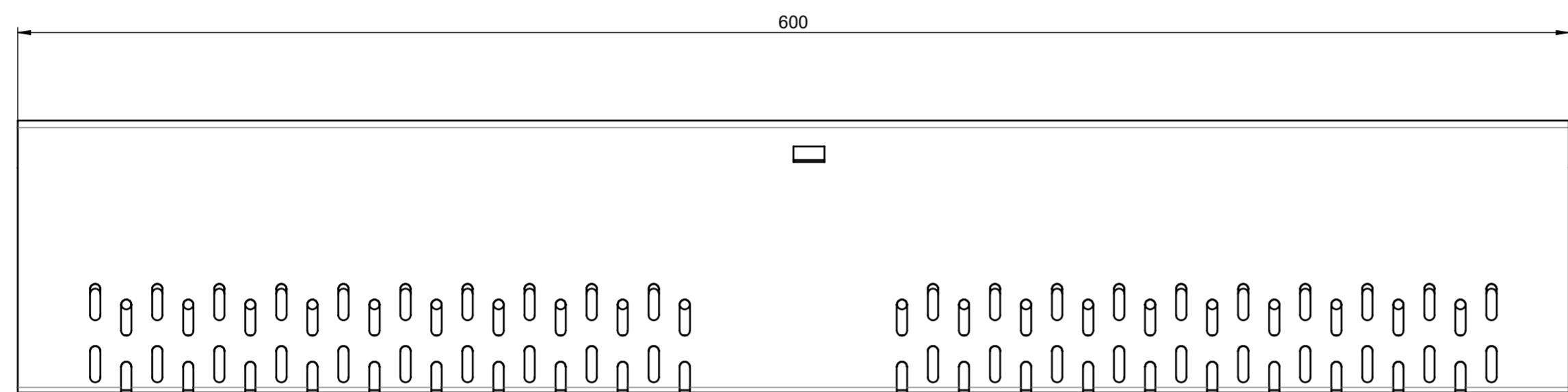
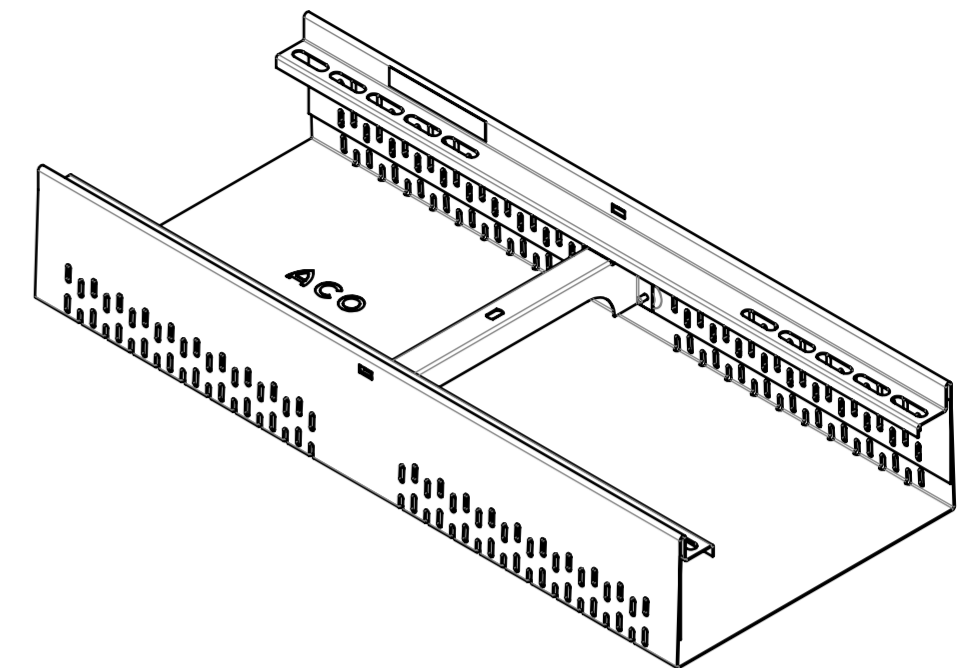
title: ACO Profiline  
Center compensation element height adjustable 2.0, 200x600, Type 3, Galvanized steel  
Ausgleichselement Mitte verstellbare Höhe 2.0, 200x600, Typ 3, Verzinkter Stahl  
serial-released

The reproduction, distribution and utilization of this document as well as the communication of its contents to others without express authorization is prohibited. Offenders will be held liable for the payment of damages. All rights reserved in the event of the grant of a patent, utility model or design. Observe copyright by ISO 16016  
release date: 20.12.2023  
sheet: 1/1


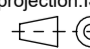
1 2 3 4 5 6 7 8 9 10 11 12

A  
B  
C  
D  
E  
F  
G  
H

SCALE 1 : 5



material number: 3009181

 ACO GmbH Am Ahlmannkai 24782 Büdelsdorf www.aco.com	drawing-no.: <b>1251157</b>	index: <b>002</b>	documenttype: marketing drw.
	created by:	reviewed by:	projection: ISO-E 

title:  
**ACO Profiline**  
 Center compensation element height adjustable 2.0, 250x600, Type 3, Galvanized steel  
 Ausgleichselement Mitte verstellbare Höhe 2.0, 250x600, Typ 3, Verzinkter Stahl

serial-released

The reproduction, distribution and utilization of this document as well as the communication of its contents to others without express authorization is prohibited. Offenders will be held liable for the payment of damages. All rights reserved in the event of the grant of a patent, utility model or design. Observe copyright by ISO 16016

release date: 20.12.2023	sheet: 1/1
-----------------------------	---------------

1 2 3 4 5 6 7 8 9 10 11 12

