
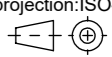
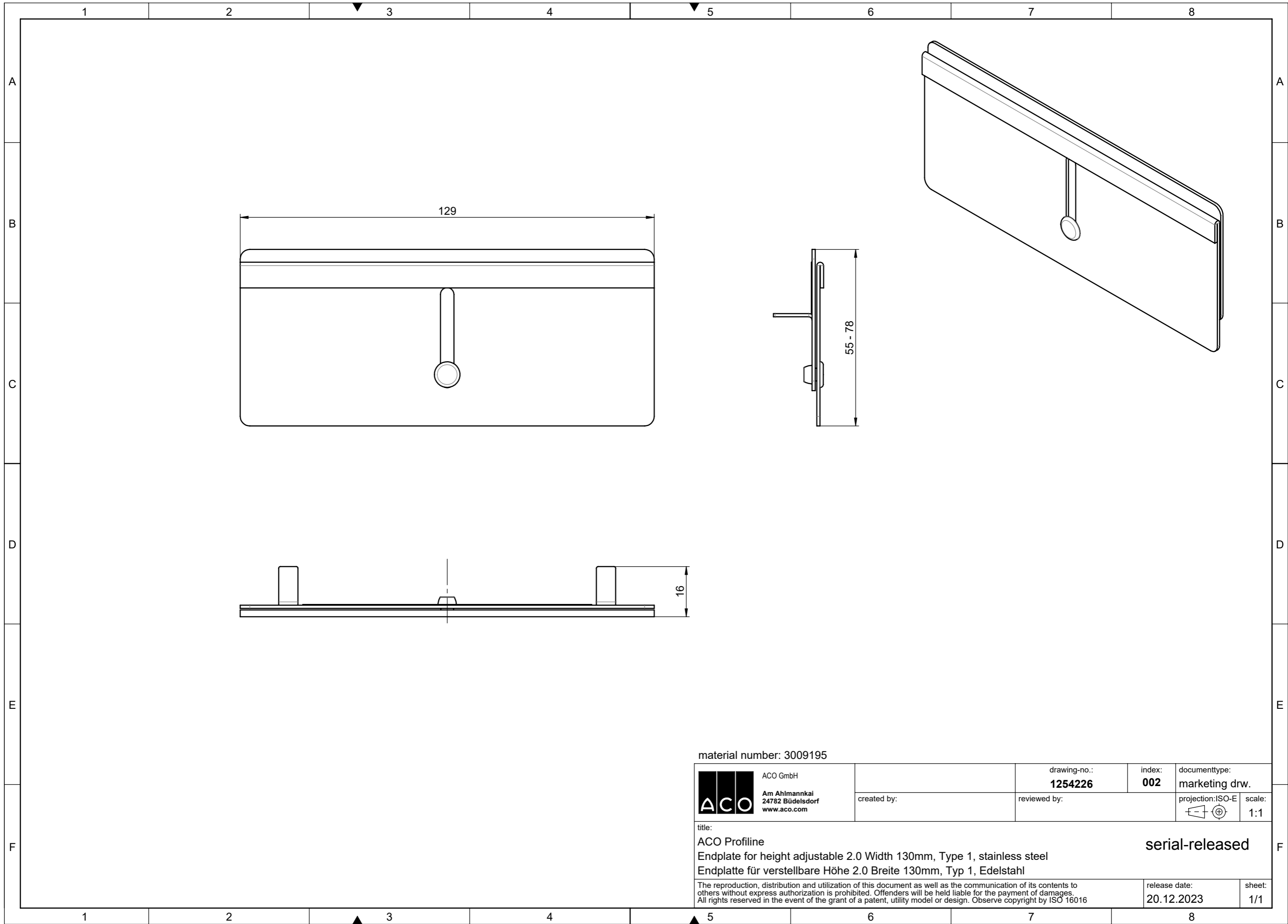



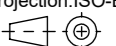
material number: 3009186

 ACO GmbH Am Ahlmannkai 24782 Büdelsdorf www.aco.com	drawing-no.: 1251347	index: 002	documenttype: marketing drw.
	created by:	reviewed by:	projection: ISO-E  scale: 1:1
title: ACO Proffline Endplate for height adjustable 2.0 Width 100mm, Type 1, stainless steel Endplatte für verstellbare Höhe 2.0 Breite 100mm, Typ 1, Edelstahl			serial-released
The reproduction, distribution and utilization of this document as well as the communication of its contents to others without express authorization is prohibited. Offenders will be held liable for the payment of damages. All rights reserved in the event of the grant of a patent, utility model or design. Observe copyright by ISO 16016		release date: 20.12.2023	sheet: 1/1

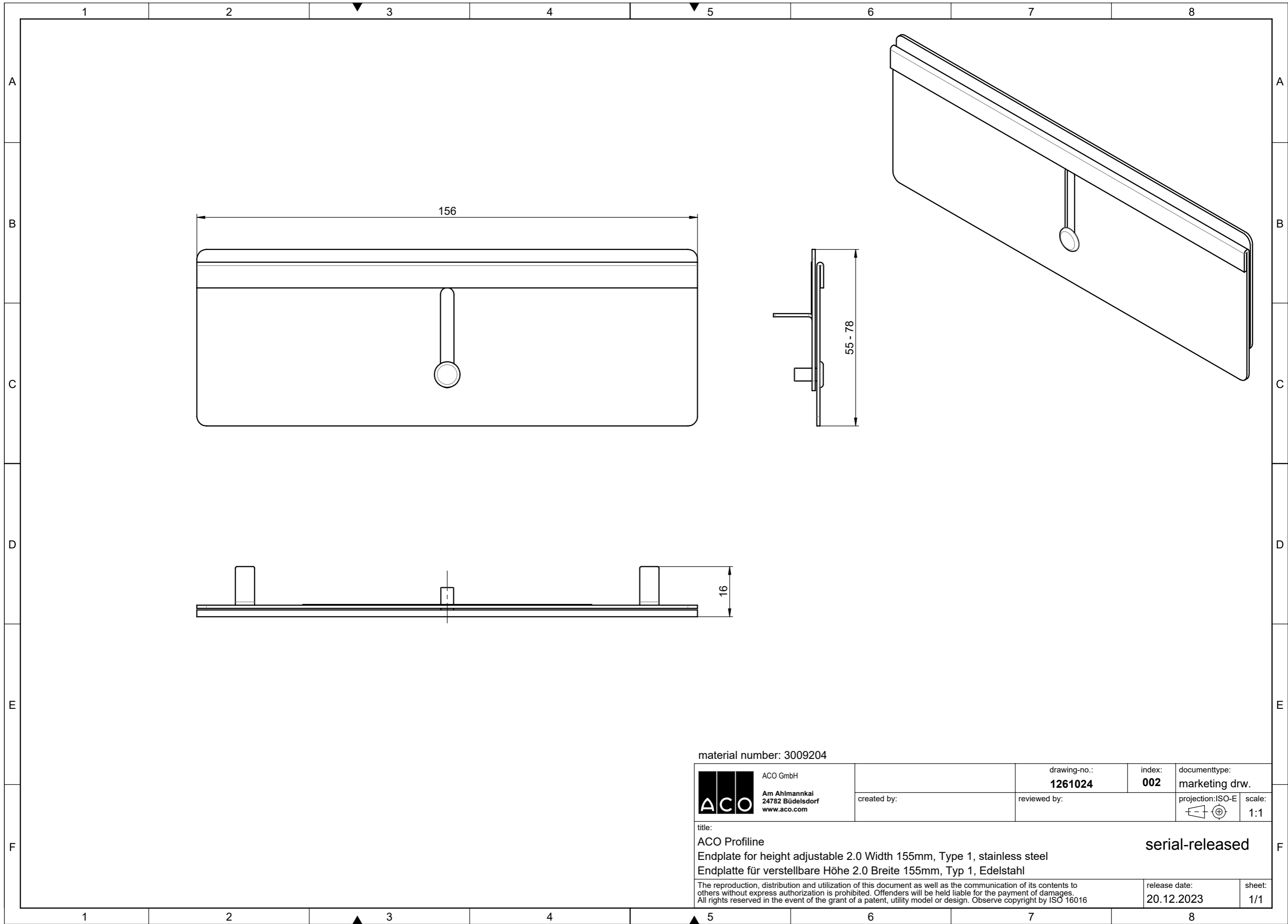
S:\projekte\2019\001_A3_Verstell22



material number: 3009195

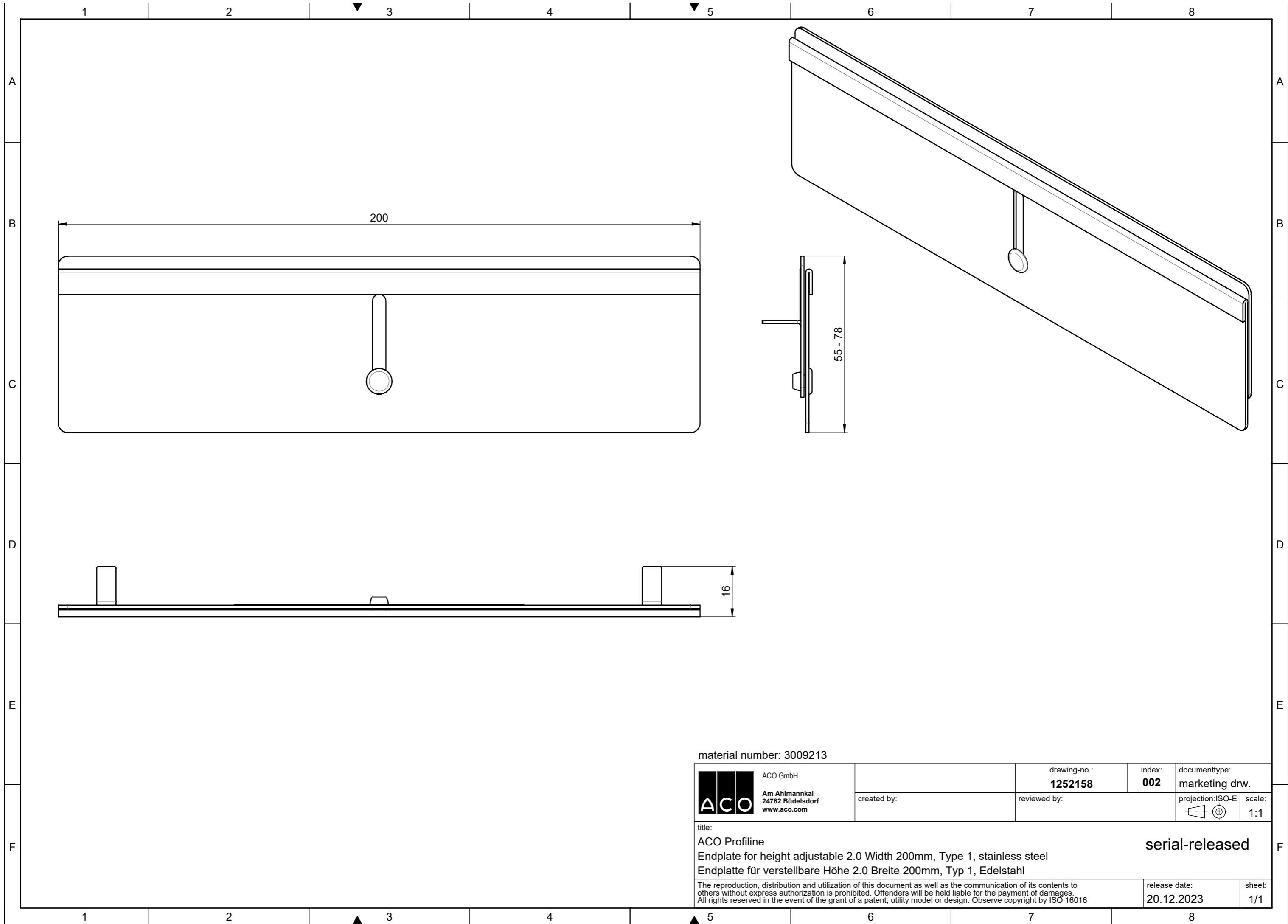
 ACO GmbH Am Ahlmannkai 24782 Büdelsdorf www.aco.com	drawing-no.: 1254226	index: 002	documenttype: marketing drw.	
	created by:	reviewed by:	projection: ISO-E 	scale: 1:1
title: ACO Proffline Endplate for height adjustable 2.0 Width 130mm, Type 1, stainless steel Endplatte für verstellbare Höhe 2.0 Breite 130mm, Typ 1, Edelstahl			serial-released	
<small>The reproduction, distribution and utilization of this document as well as the communication of its contents to others without express authorization is prohibited. Offenders will be held liable for the payment of damages. All rights reserved in the event of the grant of a patent, utility model or design. Observe copyright by ISO 16016</small>			release date: 20.12.2023	sheet: 1/1

S:\projekte\2019\001_A3_Vertrieb\22


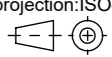


material number: 3009204

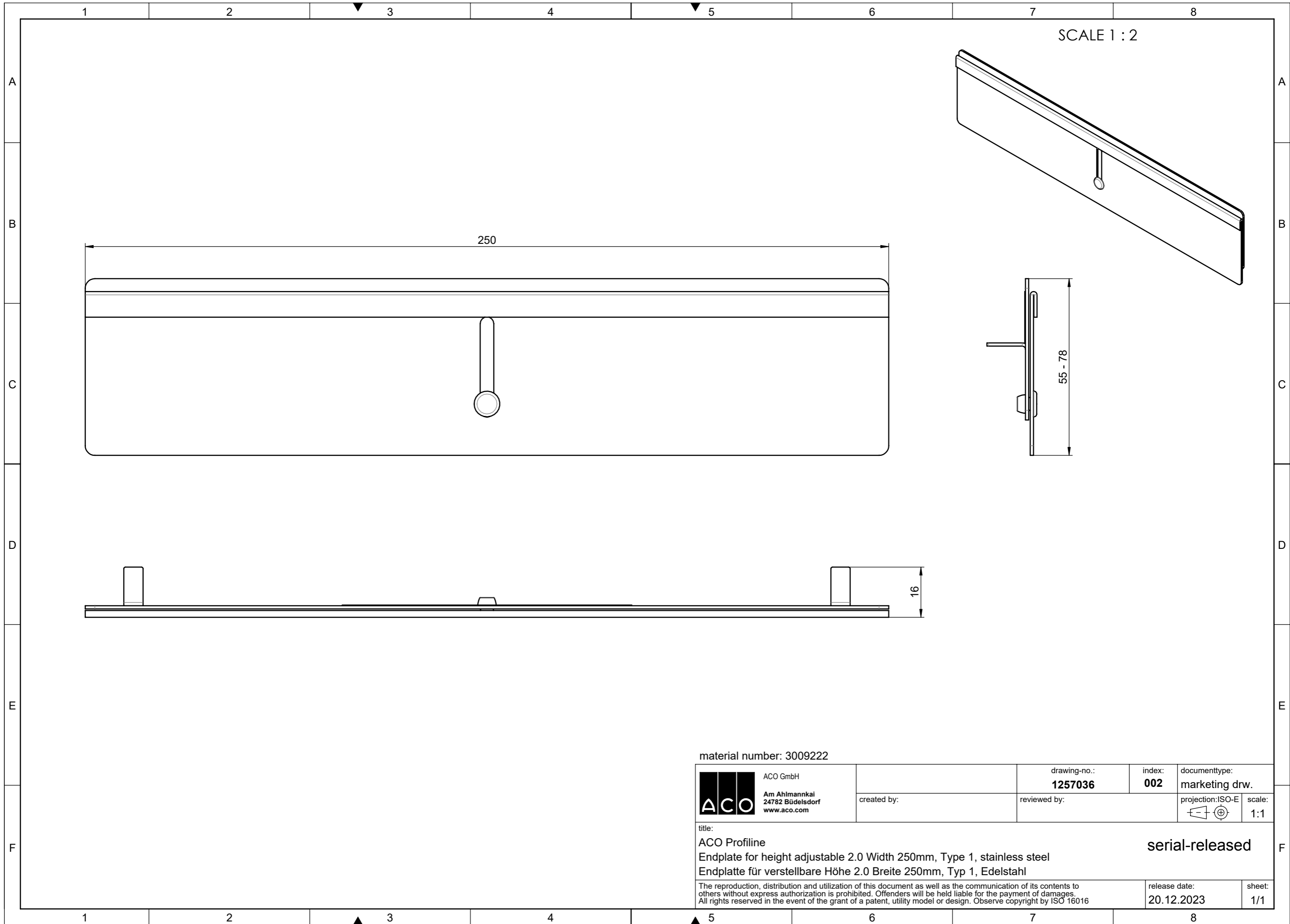
 ACO GmbH Am Ahlmannkai 24782 Büdelsdorf www.aco.com	drawing-no.: 1261024	index: 002	documenttype: marketing drw.
	created by:	reviewed by:	projection: ISO-E 
title: ACO Proffline Endplate for height adjustable 2.0 Width 155mm, Type 1, stainless steel Endplatte für verstellbare Höhe 2.0 Breite 155mm, Typ 1, Edelstahl			serial-released
<small>The reproduction, distribution and utilization of this document as well as the communication of its contents to others without express authorization is prohibited. Offenders will be held liable for the payment of damages. All rights reserved in the event of the grant of a patent, utility model or design. Observe copyright by ISO 16016</small>			release date: 20.12.2023
			sheet: 1/1



material number: 3009213

 ACO GmbH Am Ahlmannkai 24782 Büdelsdorf www.aco.com	drawing-no.: 1252158	index: 002	documenttype: marketing drw.	
	created by:	reviewed by:	projection: ISO-E 	scale: 1:1
title: ACO Proffline Endplate for height adjustable 2.0 Width 200mm, Type 1, stainless steel Endplatte für verstellbare Höhe 2.0 Breite 200mm, Typ 1, Edelstahl			serial-released	
<small>The reproduction, distribution and utilization of this document as well as the communication of its contents to others without express authorization is prohibited. Offenders will be held liable for the payment of damages. All rights reserved in the event of the grant of a patent, utility model or design. Observe copyright by ISO 16016</small>			release date: 20.12.2023	sheet: 1/1

S:\projekte\2019\001_A3_Verstell22




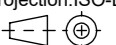
SCALE 1 : 2

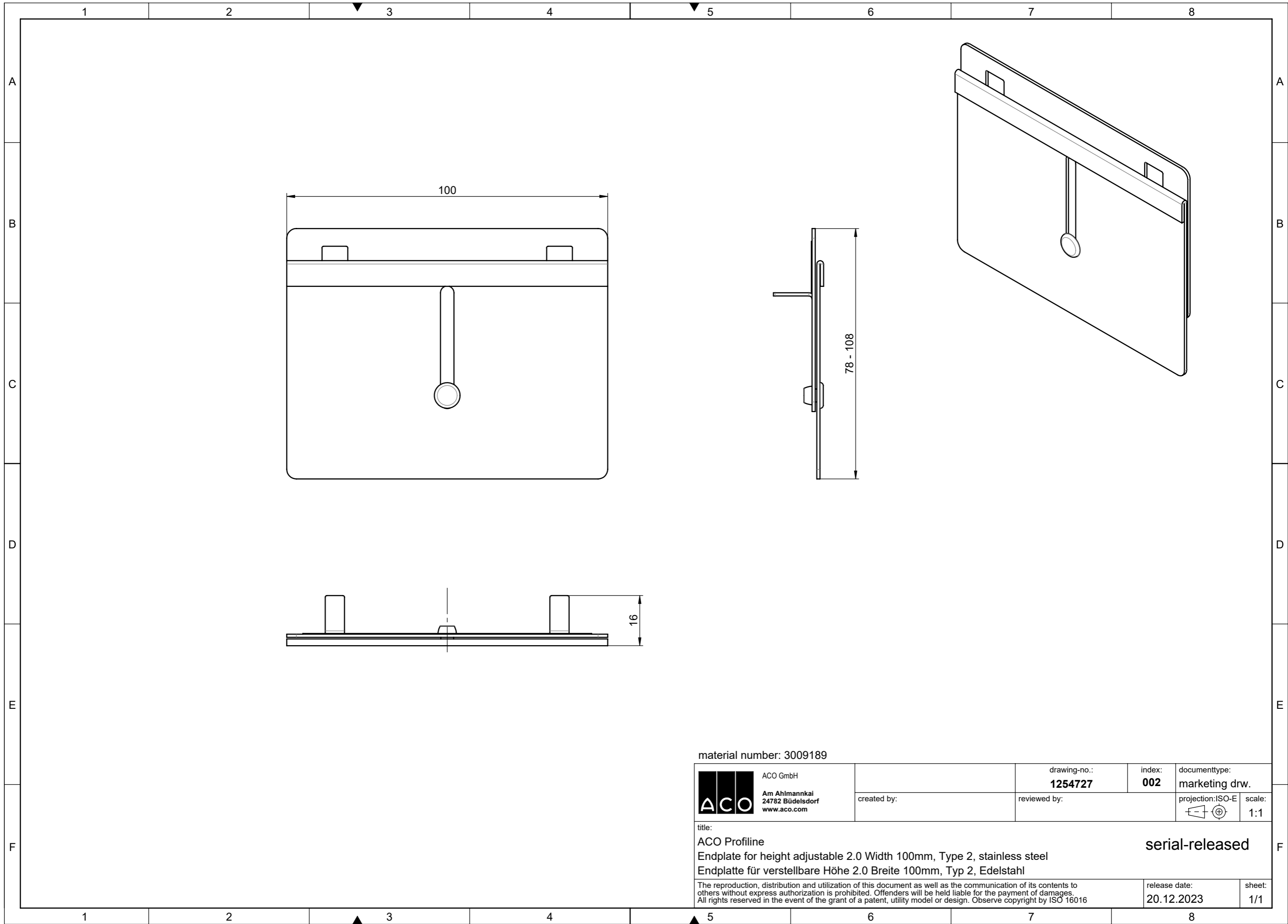
250

55 - 78


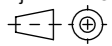
16

material number: 3009222

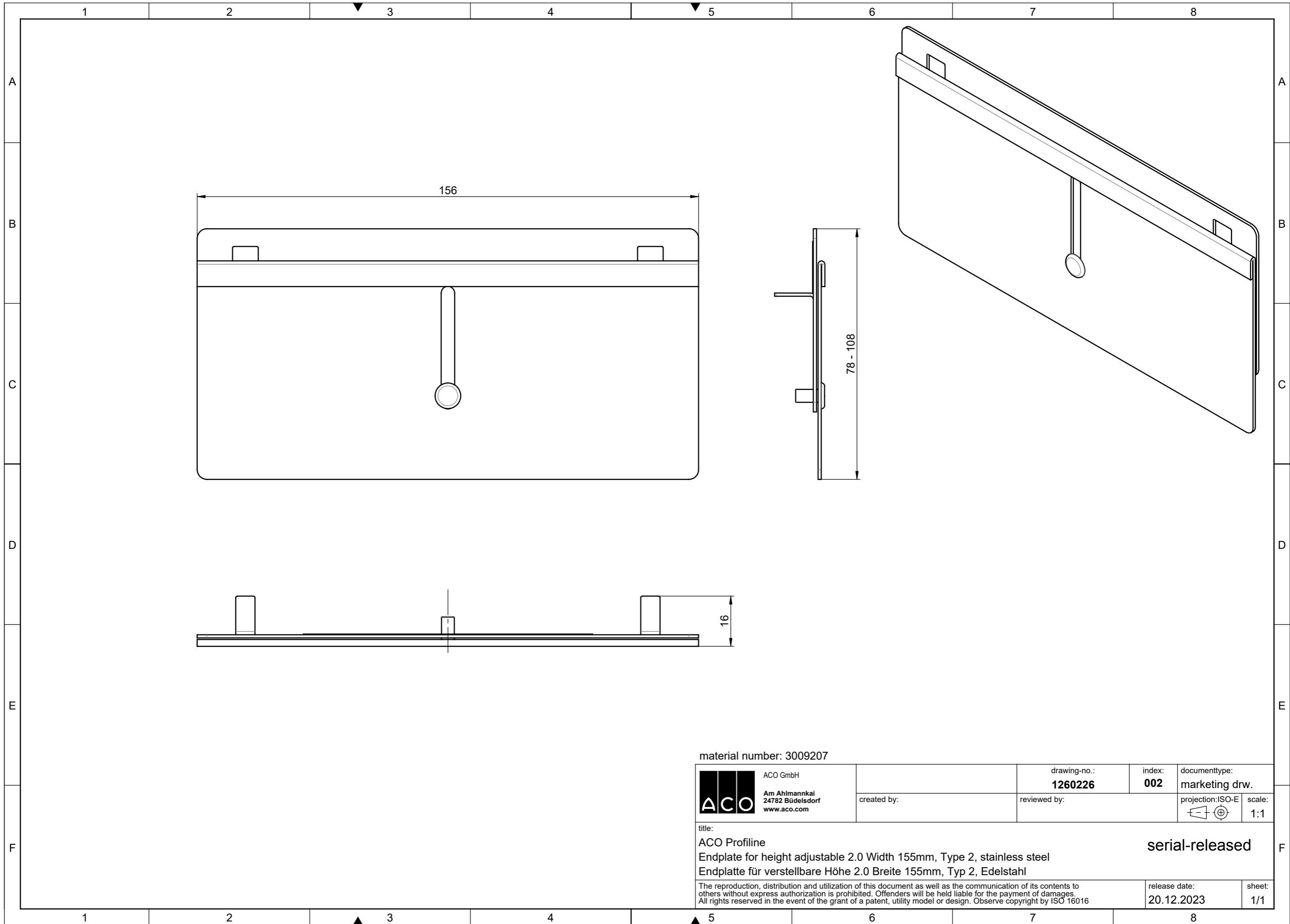
 ACO GmbH Am Ahlmannkai 24782 Büdelsdorf www.aco.com	drawing-no.: 1257036	index: 002	documenttype: marketing drw.	
	created by:	reviewed by:	projection: ISO-E 	scale: 1:1
title: ACO Proffline Endplate for height adjustable 2.0 Width 250mm, Type 1, stainless steel Endplatte für verstellbare Höhe 2.0 Breite 250mm, Typ 1, Edelstahl			serial-released	
<small>The reproduction, distribution and utilization of this document as well as the communication of its contents to others without express authorization is prohibited. Offenders will be held liable for the payment of damages. All rights reserved in the event of the grant of a patent, utility model or design. Observe copyright by ISO 16016</small>			release date: 20.12.2023	sheet: 1/1




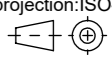
material number: 3009189

 ACO GmbH Am Ahlmannkai 24782 Büdelsdorf www.aco.com	drawing-no.: 1254727	index: 002	documenttype: marketing drw.	
	created by:	reviewed by:	projection: ISO-E 	scale: 1:1
title: ACO Proffline Endplate for height adjustable 2.0 Width 100mm, Type 2, stainless steel Endplatte für verstellbare Höhe 2.0 Breite 100mm, Typ 2, Edelstahl			serial-released	
<small>The reproduction, distribution and utilization of this document as well as the communication of its contents to others without express authorization is prohibited. Offenders will be held liable for the payment of damages. All rights reserved in the event of the grant of a patent, utility model or design. Observe copyright by ISO 16016</small>			release date: 20.12.2023	sheet: 1/1

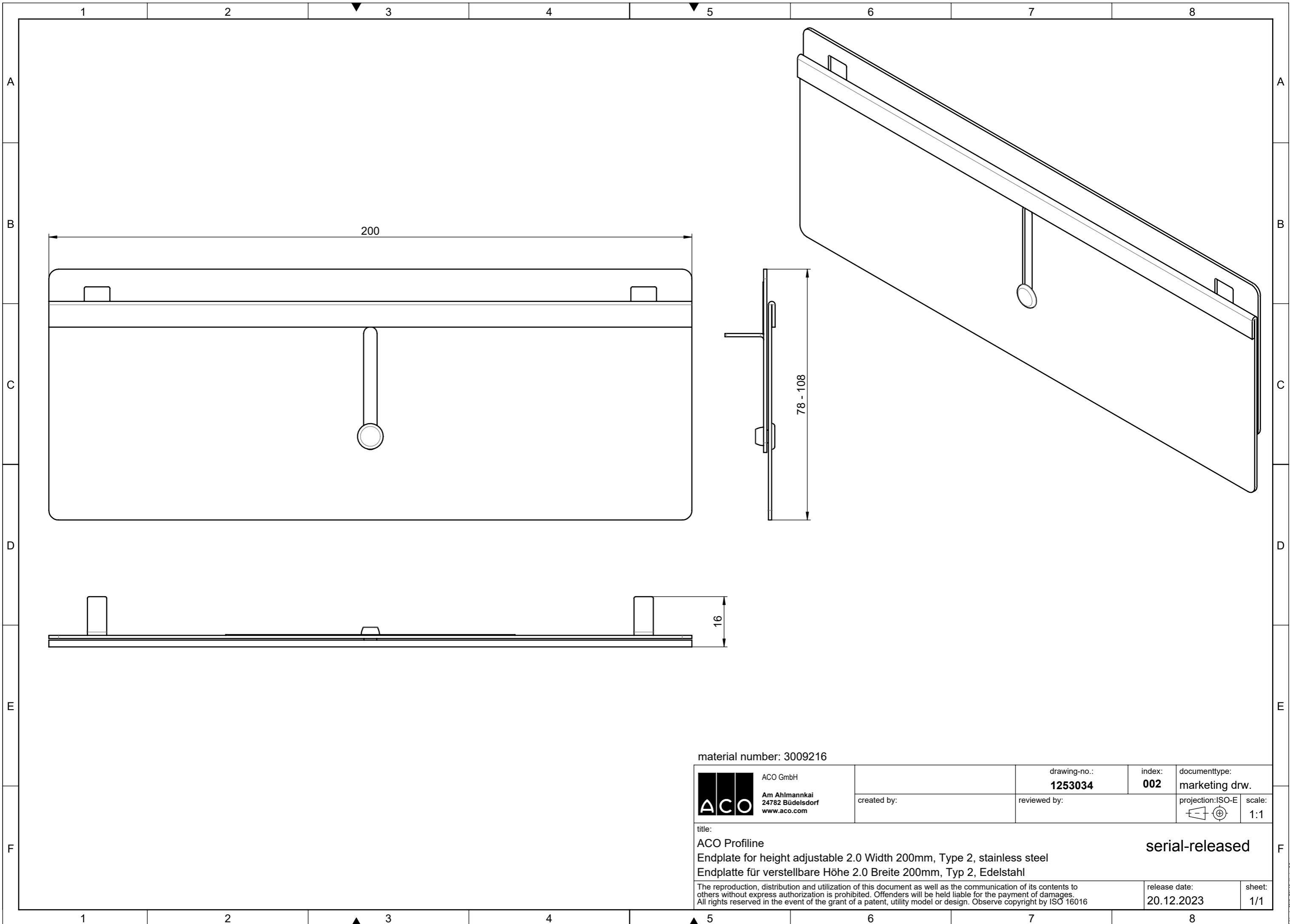
S:\projekte\2019\001_A3_Vertrieb\22




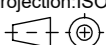
material number: 3009207

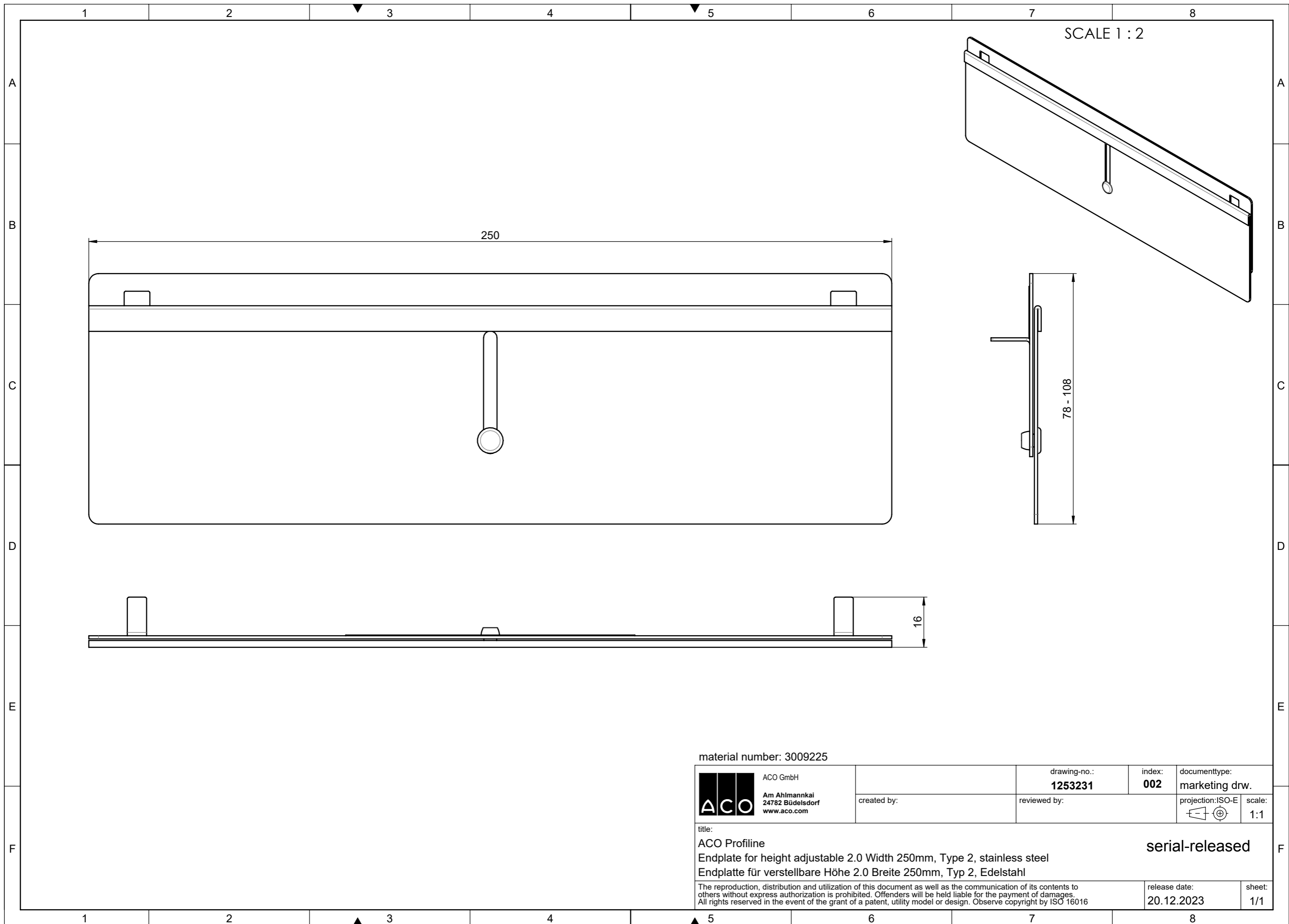
 ACO GmbH Am Ahlmannkai 24782 Büdelsdorf www.aco.com	drawing-no.: 1260226	index: 002	documenttype: marketing drw.	
	created by:	reviewed by:	projection: ISO-E 	scale: 1:1
title: ACO Proffline Endplate for height adjustable 2.0 Width 155mm, Type 2, stainless steel Endplatte für verstellbare Höhe 2.0 Breite 155mm, Typ 2, Edelstahl			serial-released	
<small>The reproduction, distribution and utilization of this document as well as the communication of its contents to others without express authorization is prohibited. Offenders will be held liable for the payment of damages. All rights reserved in the event of the grant of a patent, utility model or design. Observe copyright by ISO 16016</small>			release date: 20.12.2023	sheet: 1/1

S:\060000\3009\3009_001_03_Ver002.rvt



material number: 3009216

 ACO GmbH Am Ahlmannkai 24782 Büdelsdorf www.aco.com	drawing-no.: 1253034	index: 002	documenttype: marketing drw.
	created by:	reviewed by:	projection: ISO-E  scale: 1:1
title: ACO Proflin Endplate for height adjustable 2.0 Width 200mm, Type 2, stainless steel Endplatte für verstellbare Höhe 2.0 Breite 200mm, Typ 2, Edelstahl		serial-released	
The reproduction, distribution and utilization of this document as well as the communication of its contents to others without express authorization is prohibited. Offenders will be held liable for the payment of damages. All rights reserved in the event of the grant of a patent, utility model or design. Observe copyright by ISO 16016			release date: 20.12.2023
			sheet: 1/1



SCALE 1 : 2

250

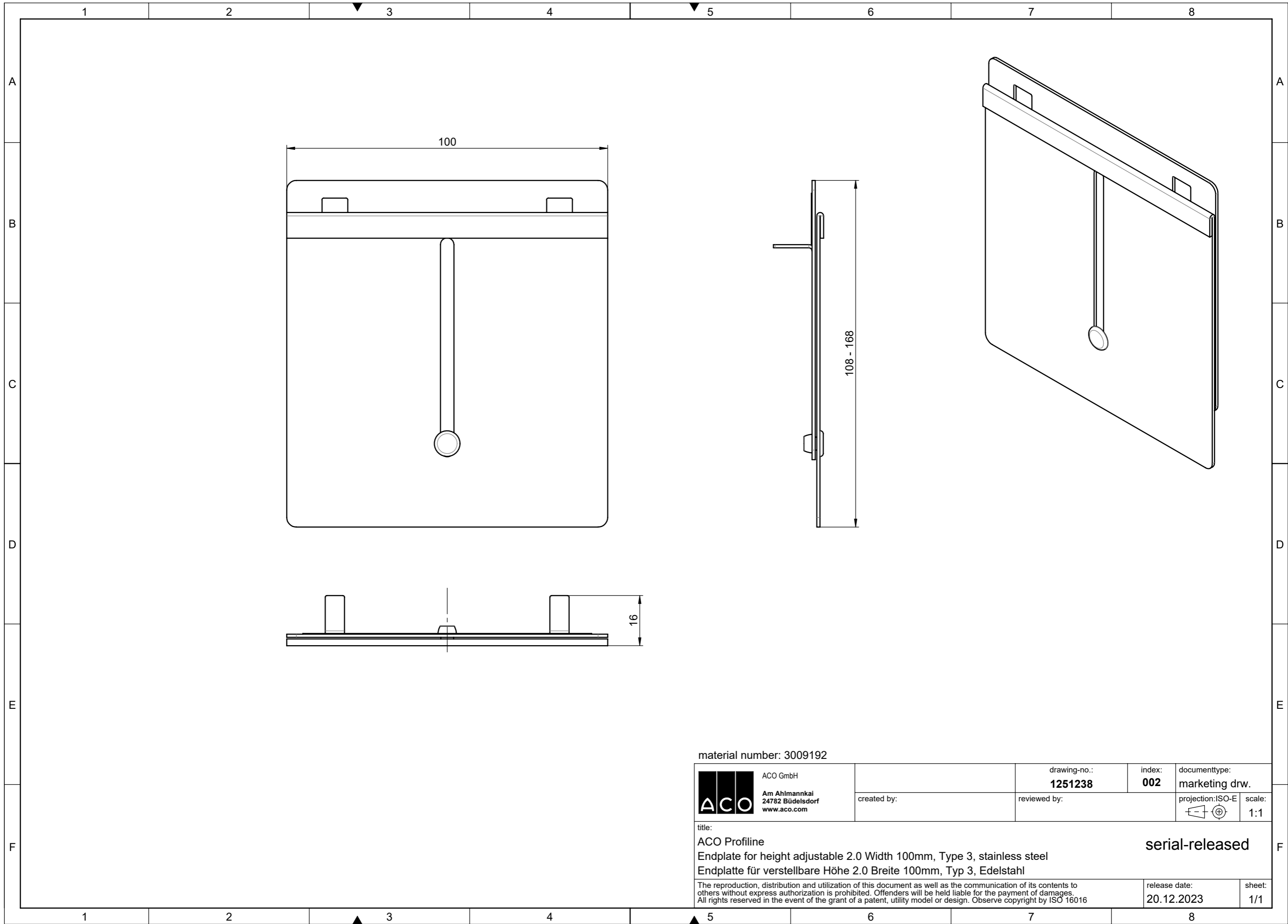
78 - 108

16


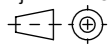
material number: 3009225

ACO GmbH Am Ahlmannkai 24782 Büdelsdorf www.aco.com	drawing-no.: 1253231	index: 002	documenttype: marketing drw.	
	created by:	reviewed by:	projection: ISO-E 	scale: 1:1
title: ACO Proffline Endplate for height adjustable 2.0 Width 250mm, Type 2, stainless steel Endplatte für verstellbare Höhe 2.0 Breite 250mm, Typ 2, Edelstahl			serial-released	
<small>The reproduction, distribution and utilization of this document as well as the communication of its contents to others without express authorization is prohibited. Offenders will be held liable for the payment of damages. All rights reserved in the event of the grant of a patent, utility model or design. Observe copyright by ISO 16016</small>			release date: 20.12.2023	sheet: 1/1

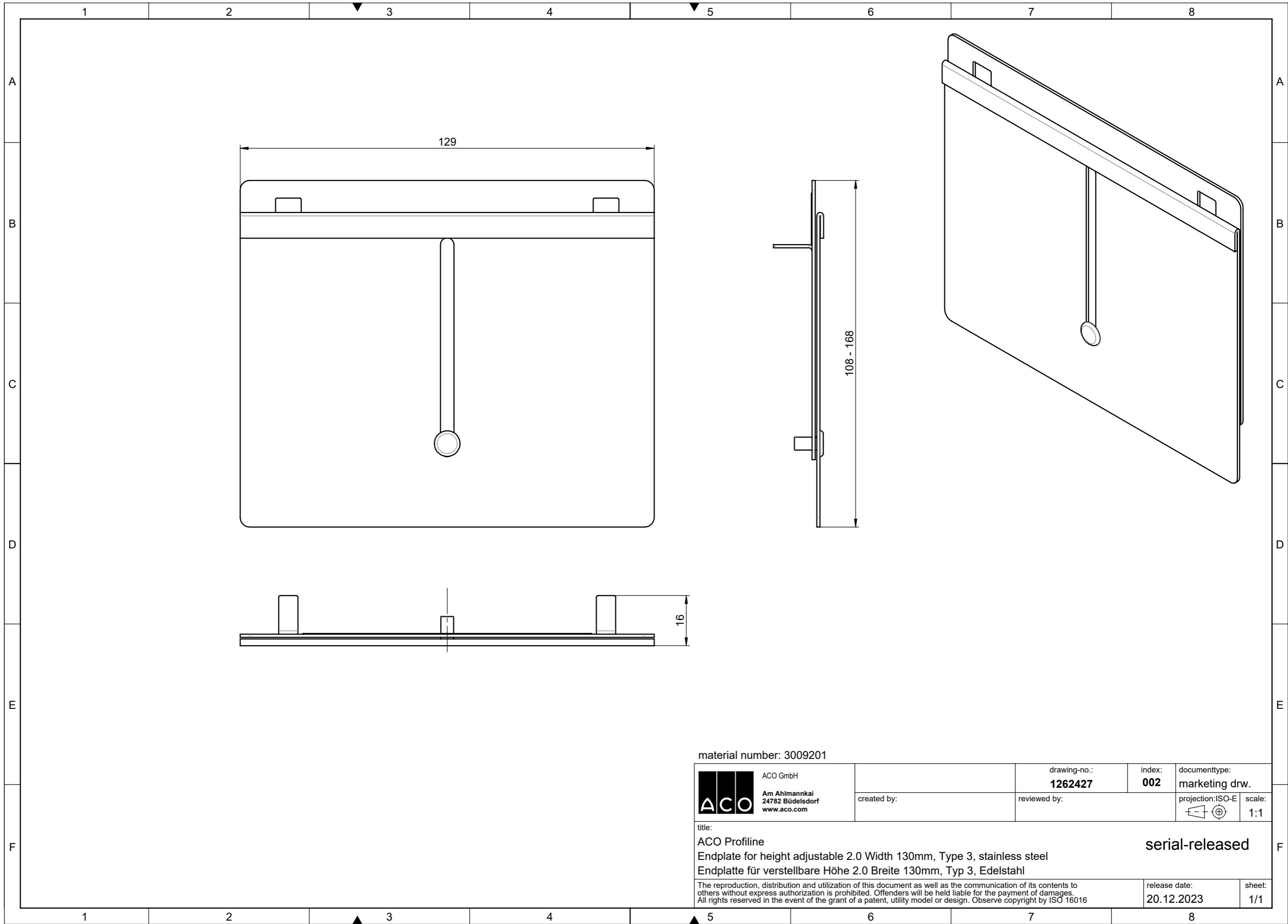
S:\00000000\001_ACO_Vertrieb\22




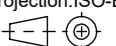
material number: 3009192

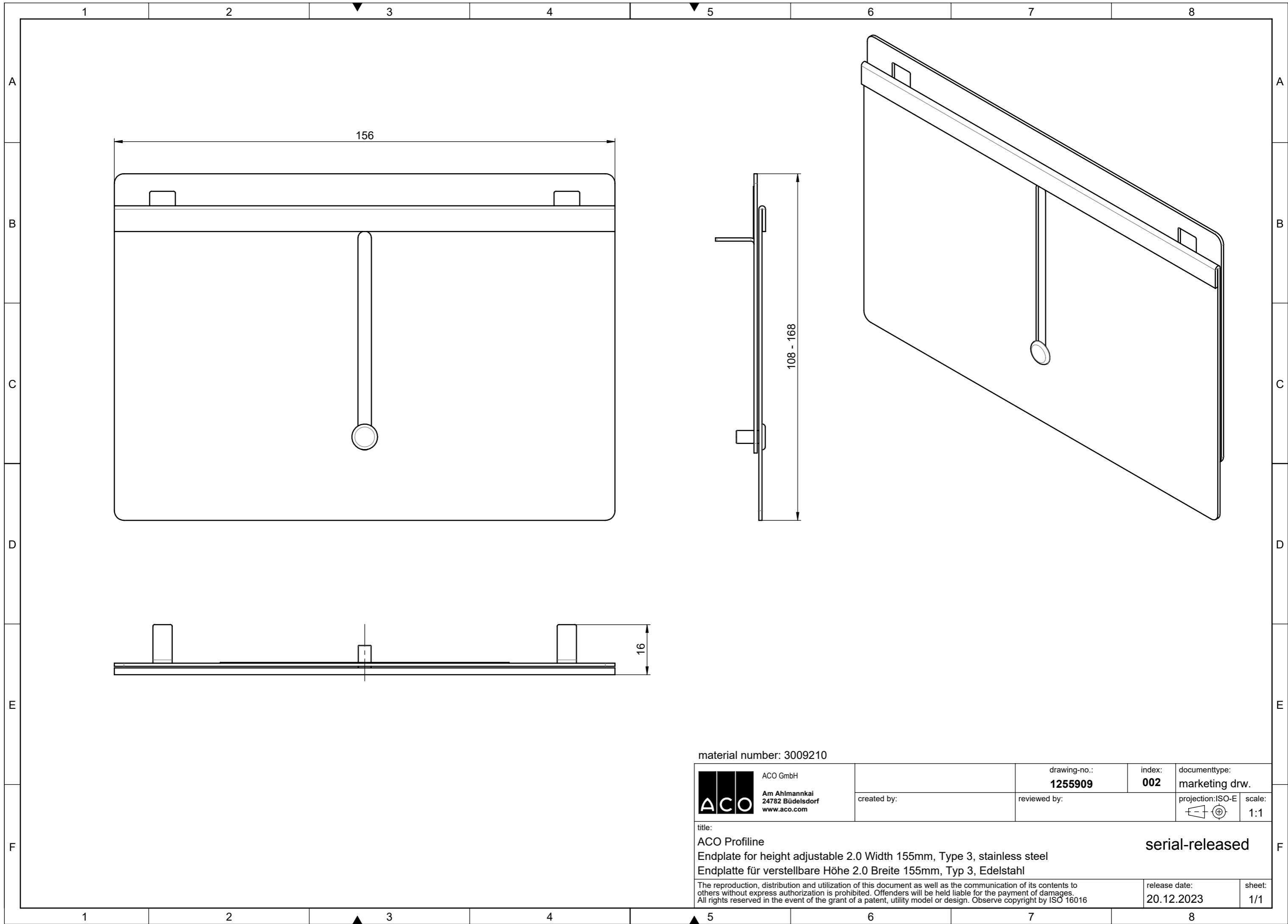
 ACO GmbH Am Ahlmannkai 24782 Büdelsdorf www.aco.com	drawing-no.: 1251238	index: 002	documenttype: marketing drw.
	created by:	reviewed by:	projection: ISO-E 
title: ACO Proflin Endplate for height adjustable 2.0 Width 100mm, Type 3, stainless steel Endplatte für verstellbare Höhe 2.0 Breite 100mm, Typ 3, Edelstahl			serial-released
<small>The reproduction, distribution and utilization of this document as well as the communication of its contents to others without express authorization is prohibited. Offenders will be held liable for the payment of damages. All rights reserved in the event of the grant of a patent, utility model or design. Observe copyright by ISO 16016</small>			release date: 20.12.2023
			sheet: 1/1

S:\projekte\2019\001_A3_Vertrieb\22


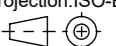


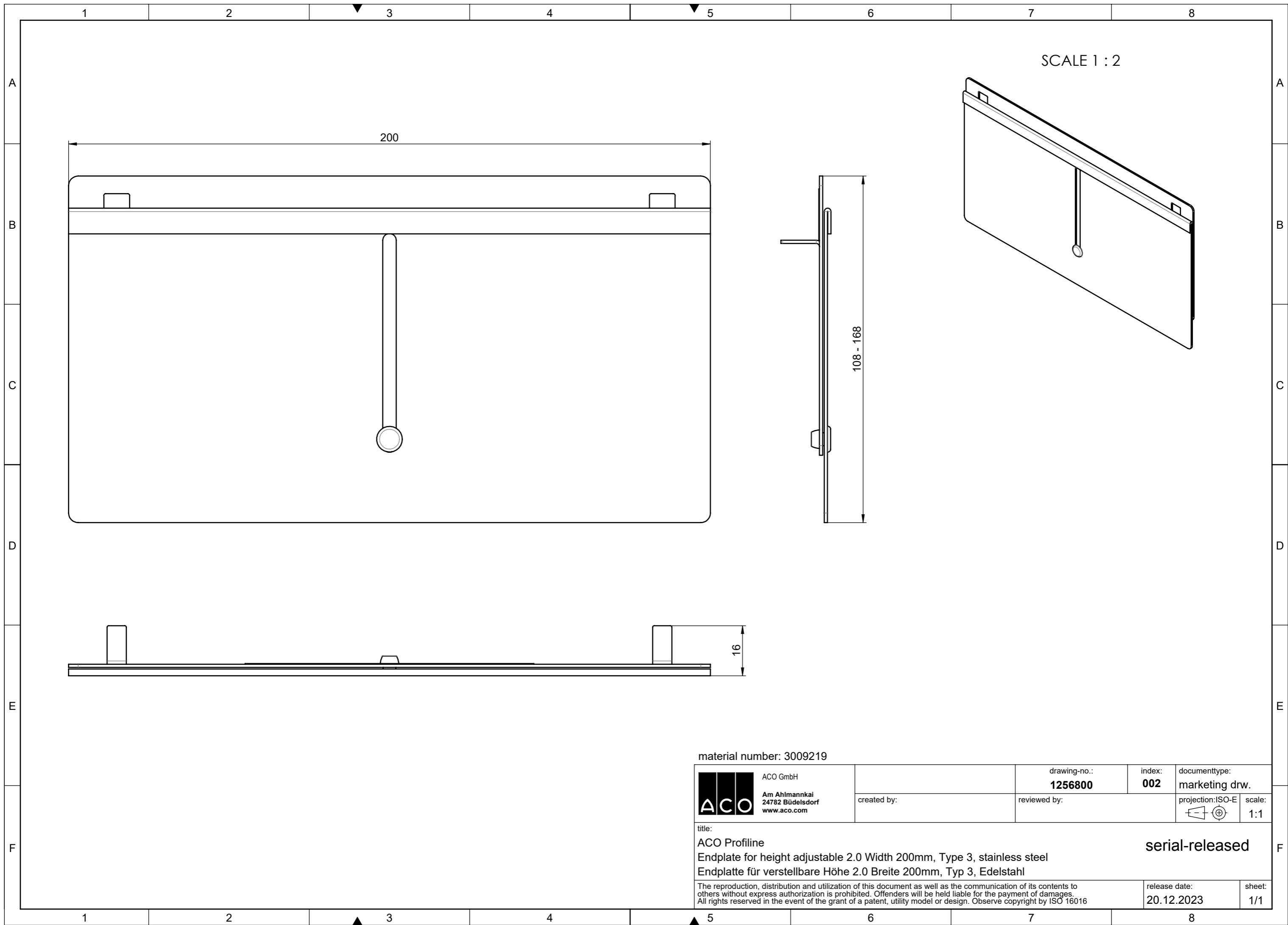
material number: 3009201

 ACO GmbH Am Ahlmannkai 24782 Büdelsdorf www.aco.com	drawing-no.: 1262427	index: 002	documenttype: marketing drw.
	created by:	reviewed by:	projection: ISO-E 
title: ACO Proffline Endplate for height adjustable 2.0 Width 130mm, Type 3, stainless steel Endplatte für verstellbare Höhe 2.0 Breite 130mm, Typ 3, Edelstahl			serial-released scale: 1:1
The reproduction, distribution and utilization of this document as well as the communication of its contents to others without express authorization is prohibited. Offenders will be held liable for the payment of damages. All rights reserved in the event of the grant of a patent, utility model or design. Observe copyright by ISO 16016			release date: 20.12.2023 sheet: 1/1


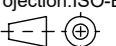


material number: 3009210

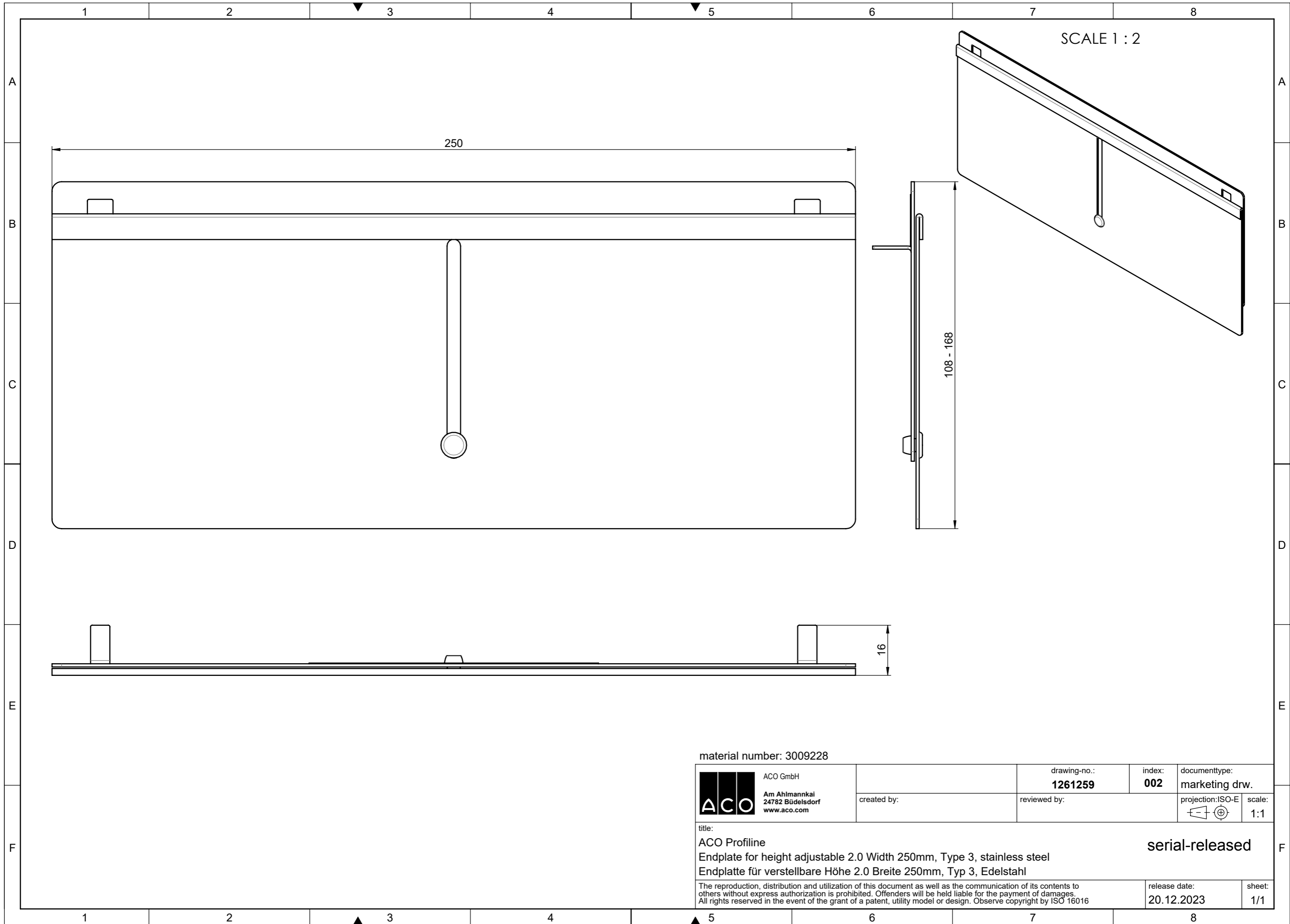
 ACO GmbH Am Ahlmannkai 24782 Büdelsdorf www.aco.com	drawing-no.: 1255909	index: 002	documenttype: marketing drw.	
	created by:	reviewed by:	projection: ISO-E 	scale: 1:1
title: ACO Profiline Endplate for height adjustable 2.0 Width 155mm, Type 3, stainless steel Endplatte für verstellbare Höhe 2.0 Breite 155mm, Typ 3, Edelstahl			serial-released	
<small>The reproduction, distribution and utilization of this document as well as the communication of its contents to others without express authorization is prohibited. Offenders will be held liable for the payment of damages. All rights reserved in the event of the grant of a patent, utility model or design. Observe copyright by ISO 16016</small>			release date: 20.12.2023	sheet: 1/1



material number: 3009219

 ACO GmbH Am Ahlmannkai 24782 Büdelsdorf www.aco.com	drawing-no.: 1256800	index: 002	documenttype: marketing drw.
	created by:	reviewed by:	projection:ISO-E  scale: 1:1
title: ACO Proffline Endplate for height adjustable 2.0 Width 200mm, Type 3, stainless steel Endplatte für verstellbare Höhe 2.0 Breite 200mm, Typ 3, Edelstahl			serial-released
The reproduction, distribution and utilization of this document as well as the communication of its contents to others without express authorization is prohibited. Offenders will be held liable for the payment of damages. All rights reserved in the event of the grant of a patent, utility model or design. Observe copyright by ISO 16016		release date: 20.12.2023	sheet: 1/1

S:\06000\3009219_001_A3_Vertrieb_22




SCALE 1 : 2

250

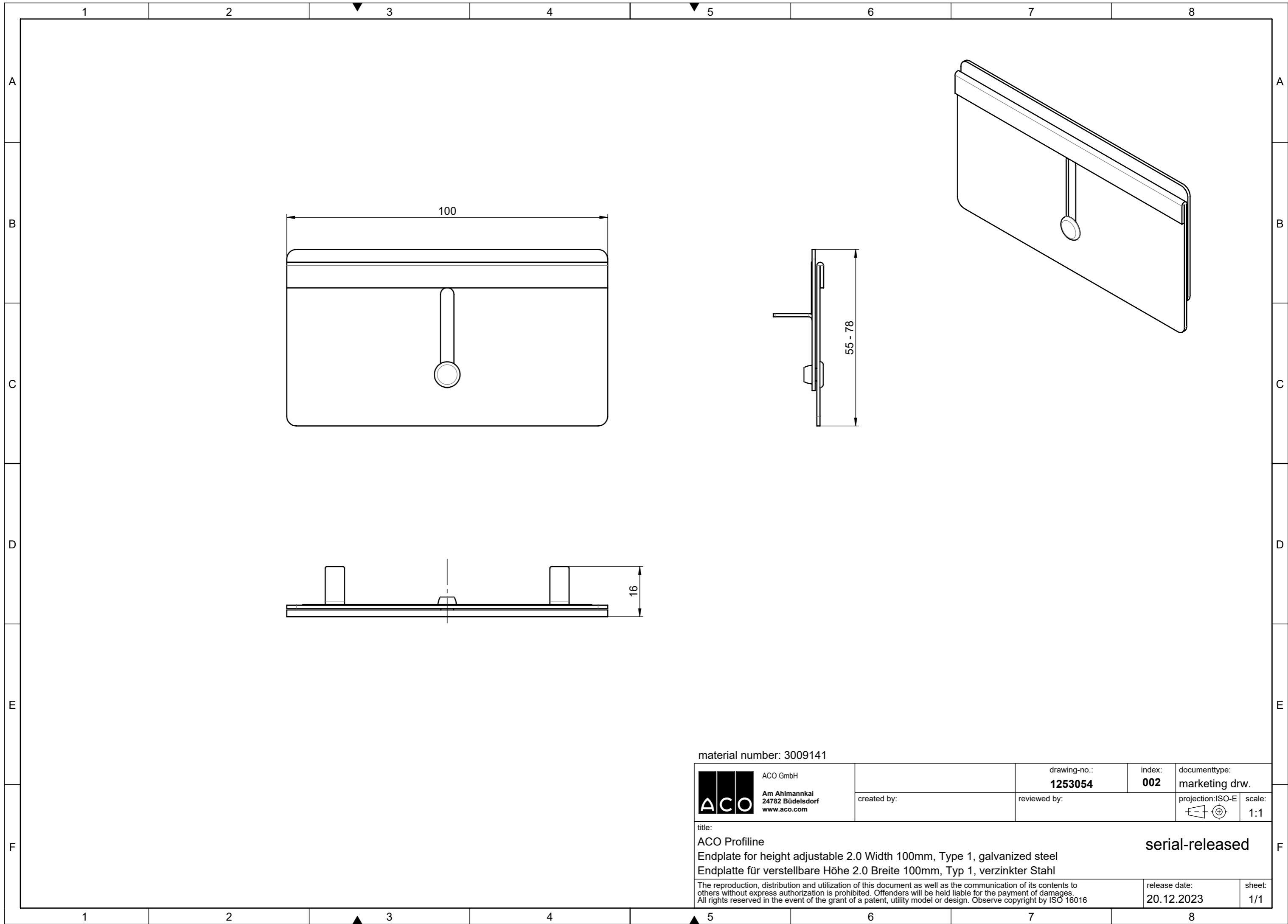
108 - 168

16

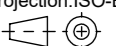
material number: 3009228

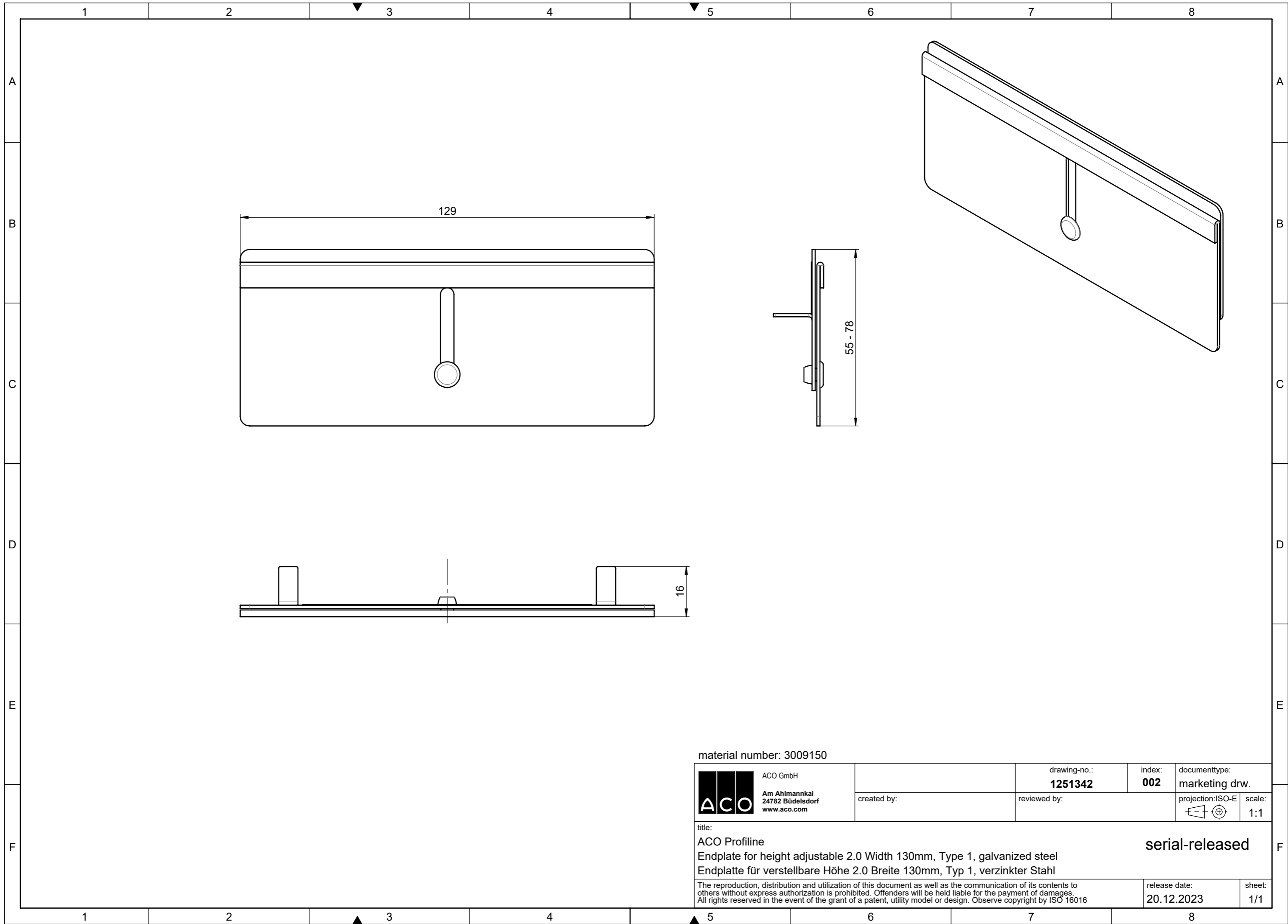
 ACO GmbH Am Ahlmannkai 24782 Büdelsdorf www.aco.com	drawing-no.: 1261259	index: 002	documenttype: marketing drw.
	created by:	reviewed by:	projection: ISO-E 
title: ACO Proflin Endplate for height adjustable 2.0 Width 250mm, Type 3, stainless steel Endplatte für verstellbare Höhe 2.0 Breite 250mm, Typ 3, Edelstahl			serial-released
<small>The reproduction, distribution and utilization of this document as well as the communication of its contents to others without express authorization is prohibited. Offenders will be held liable for the payment of damages. All rights reserved in the event of the grant of a patent, utility model or design. Observe copyright by ISO 16016</small>			release date: 20.12.2023
			sheet: 1/1

S:\dokus\2019-DIN-A3-Versio22


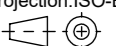


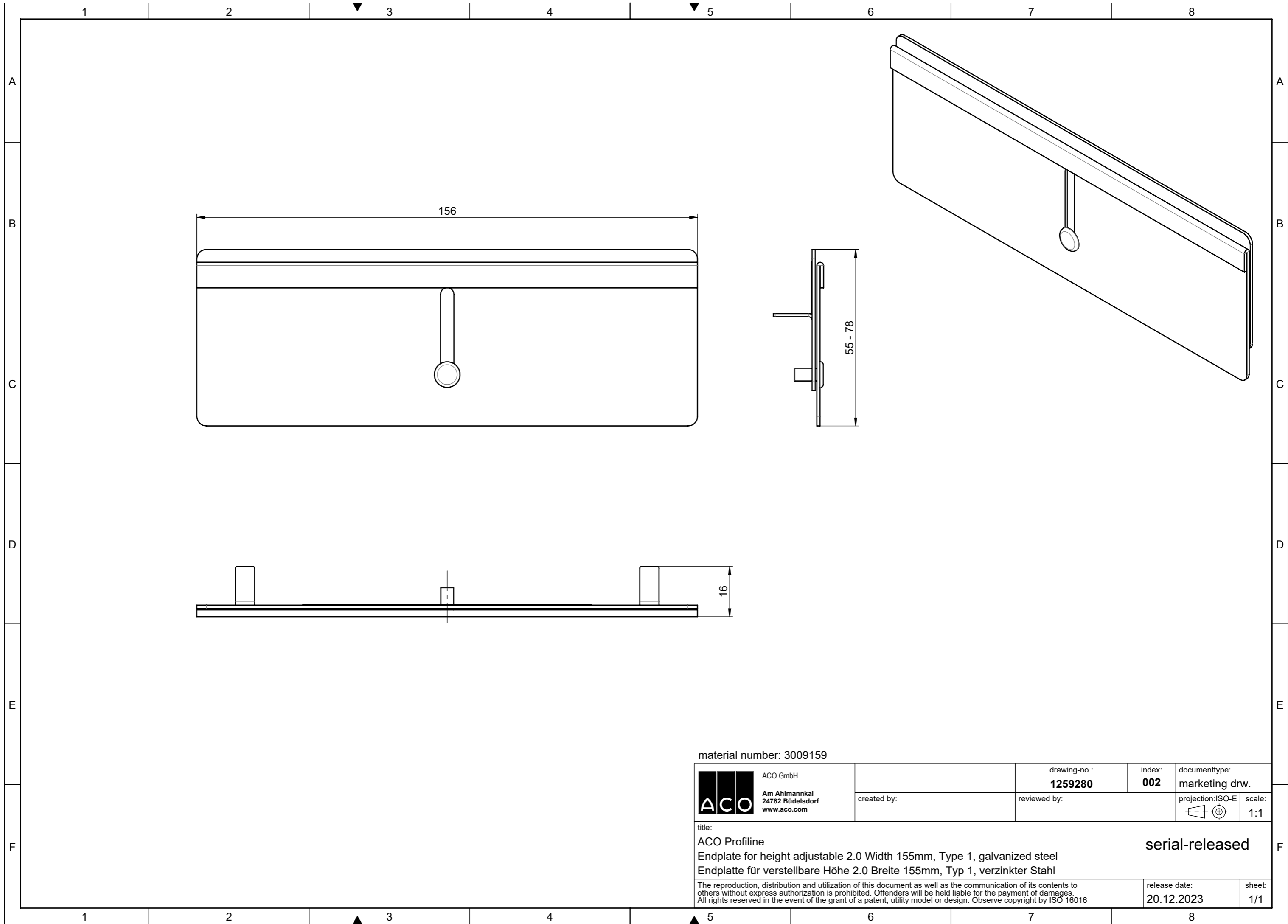
material number: 3009141

 ACO GmbH Am Ahlmannkai 24782 Büdelsdorf www.aco.com	drawing-no.: 1253054	index: 002	documenttype: marketing drw.	
	created by:	reviewed by:	projection: ISO-E 	scale: 1:1
title: ACO Proffline Endplate for height adjustable 2.0 Width 100mm, Type 1, galvanized steel Endplatte für verstellbare Höhe 2.0 Breite 100mm, Typ 1, verzinkter Stahl			serial-released	
<small>The reproduction, distribution and utilization of this document as well as the communication of its contents to others without express authorization is prohibited. Offenders will be held liable for the payment of damages. All rights reserved in the event of the grant of a patent, utility model or design. Observe copyright by ISO 16016</small>			release date: 20.12.2023	sheet: 1/1


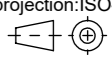


material number: 3009150

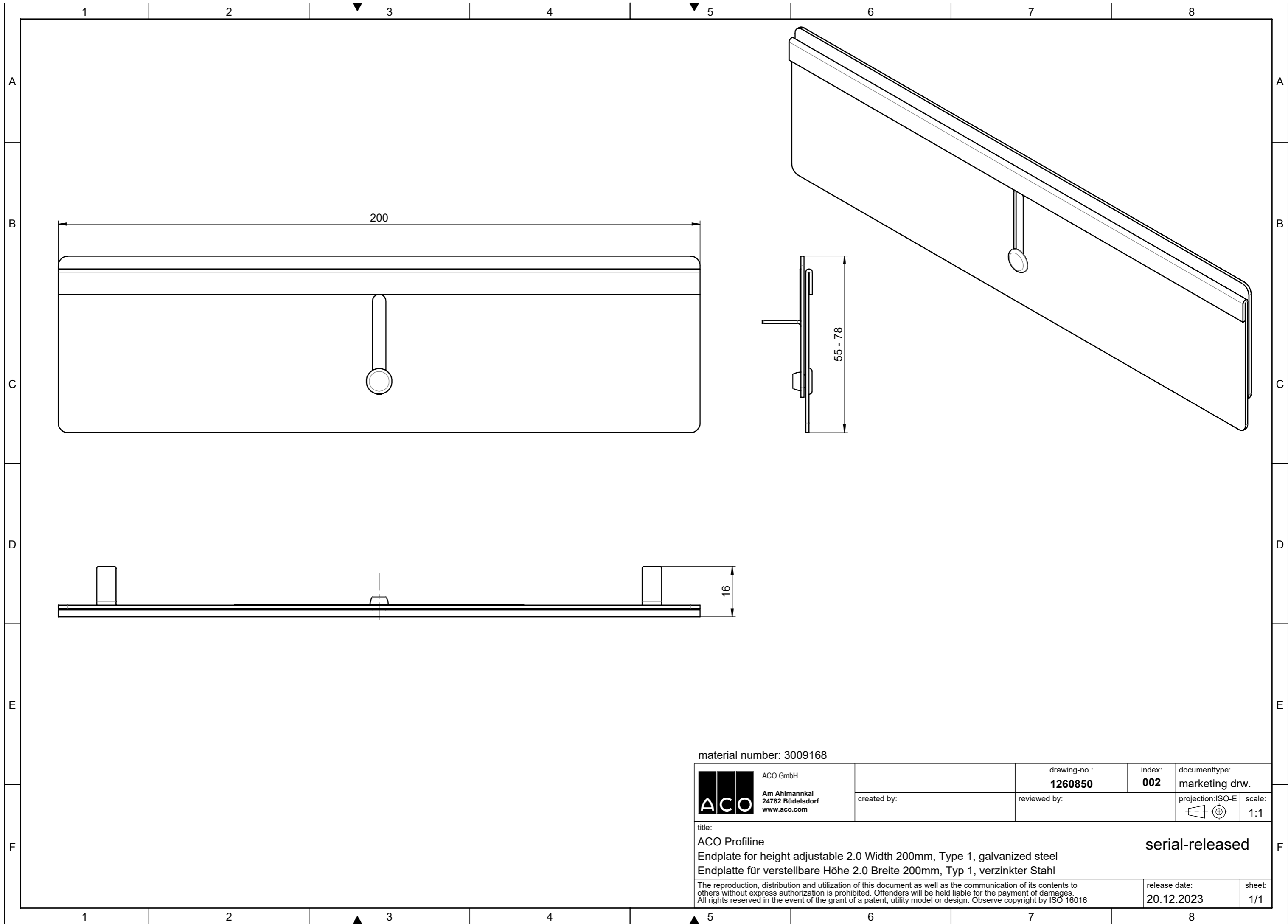
 ACO GmbH Am Ahlmannkai 24782 Büdelsdorf www.aco.com	drawing-no.: 1251342	index: 002	documenttype: marketing drw.	
	created by:	reviewed by:	projection: ISO-E 	scale: 1:1
title: ACO Proffline Endplate for height adjustable 2.0 Width 130mm, Type 1, galvanized steel Endplatte für verstellbare Höhe 2.0 Breite 130mm, Typ 1, verzinkter Stahl			serial-released	
<small>The reproduction, distribution and utilization of this document as well as the communication of its contents to others without express authorization is prohibited. Offenders will be held liable for the payment of damages. All rights reserved in the event of the grant of a patent, utility model or design. Observe copyright by ISO 16016</small>			release date: 20.12.2023	sheet: 1/1




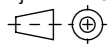
material number: 3009159

 ACO GmbH Am Ahlmannkai 24782 Büdelsdorf www.aco.com		drawing-no.: 1259280	index: 002	documenttype: marketing drw.
	created by:	reviewed by:	projection: ISO-E 	scale: 1:1
title: ACO Proffline Endplate for height adjustable 2.0 Width 155mm, Type 1, galvanized steel Endplatte für verstellbare Höhe 2.0 Breite 155mm, Typ 1, verzinkter Stahl				serial-released
The reproduction, distribution and utilization of this document as well as the communication of its contents to others without express authorization is prohibited. Offenders will be held liable for the payment of damages. All rights reserved in the event of the grant of a patent, utility model or design. Observe copyright by ISO 16016			release date: 20.12.2023	sheet: 1/1

S:\projekte\2019\001_A3_Verstellz2



material number: 3009168

 ACO GmbH Am Ahlmannkai 24782 Büdelsdorf www.aco.com	drawing-no.: 1260850	index: 002	documenttype: marketing drw.
	created by:	reviewed by:	projection: ISO-E  scale: 1:1
title: ACO Proffline Endplate for height adjustable 2.0 Width 200mm, Type 1, galvanized steel Endplatte für verstellbare Höhe 2.0 Breite 200mm, Typ 1, verzinkter Stahl			serial-released
<small>The reproduction, distribution and utilization of this document as well as the communication of its contents to others without express authorization is prohibited. Offenders will be held liable for the payment of damages. All rights reserved in the event of the grant of a patent, utility model or design. Observe copyright by ISO 16016</small>			release date: 20.12.2023 sheet: 1/1

S:\projekte\2019\001_A3_Vertrieb\22

1 2 3 4 5 6 7 8

A

B

C

D

E

F

A

B

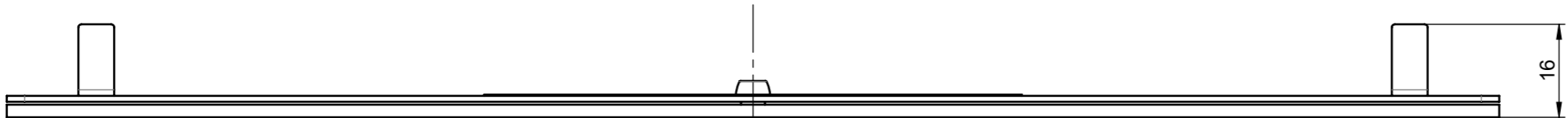
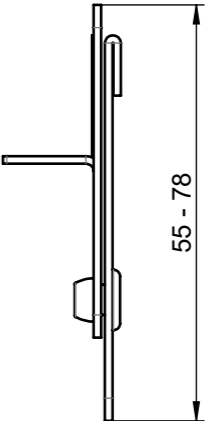
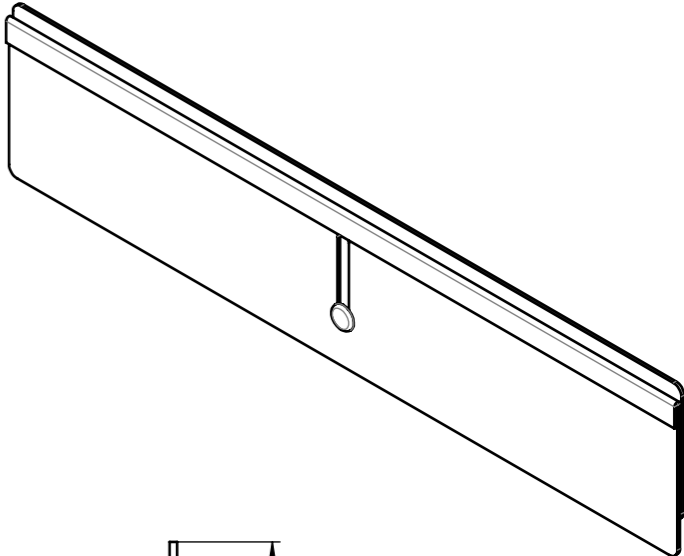
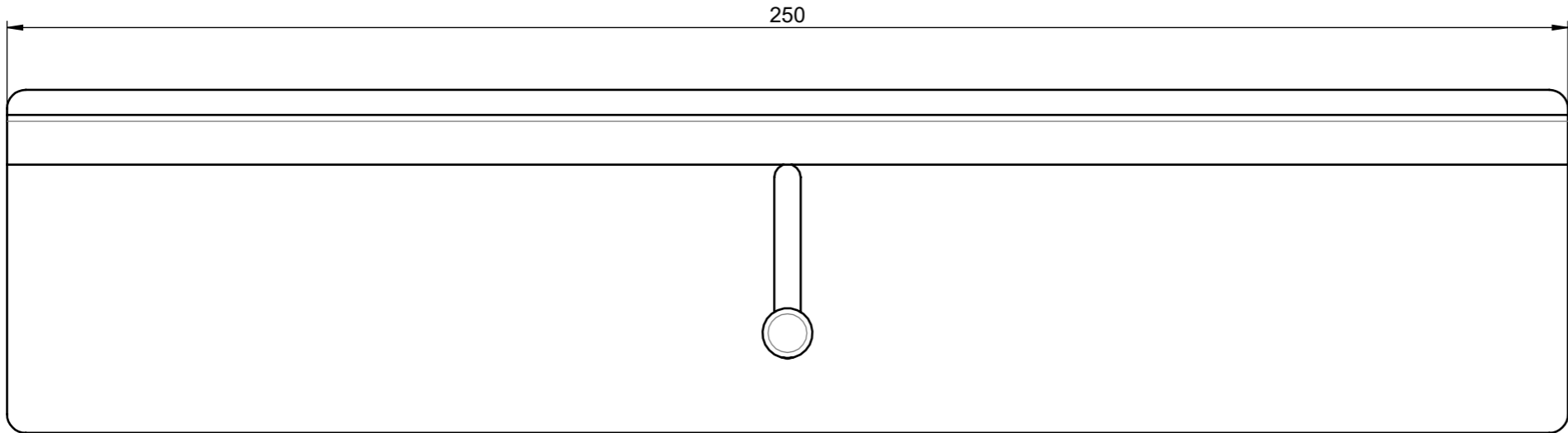
C

D


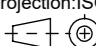
E

F

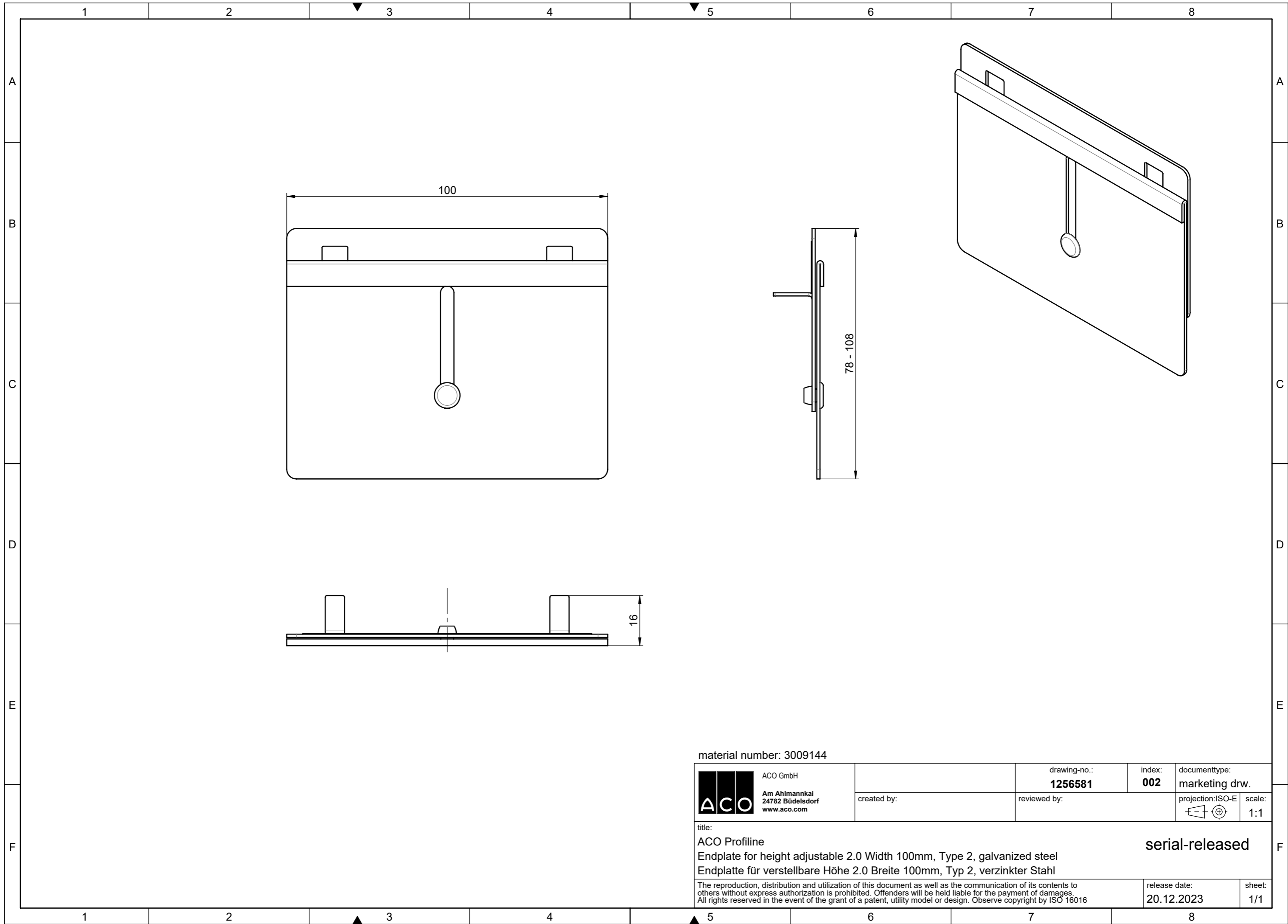
SCALE 1 : 2




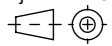
material number: 3009177

 ACO GmbH Am Ahlmannkai 24782 Büdelsdorf www.aco.com			drawing-no.: 1251315	index: 002	documenttype: marketing drw.
	created by:	reviewed by:		projection:ISO-E 	scale: 1:1
title: ACO Proffline Endplate for height adjustable 2.0 Width 250mm, Type 1, galvanized steel Endplatte für verstellbare Höhe 2.0 Breite 250mm, Typ 1, verzinkter Stahl					serial-released
The reproduction, distribution and utilization of this document as well as the communication of its contents to others without express authorization is prohibited. Offenders will be held liable for the payment of damages. All rights reserved in the event of the grant of a patent, utility model or design. Observe copyright by ISO 16016				release date: 20.12.2023	sheet: 1/1

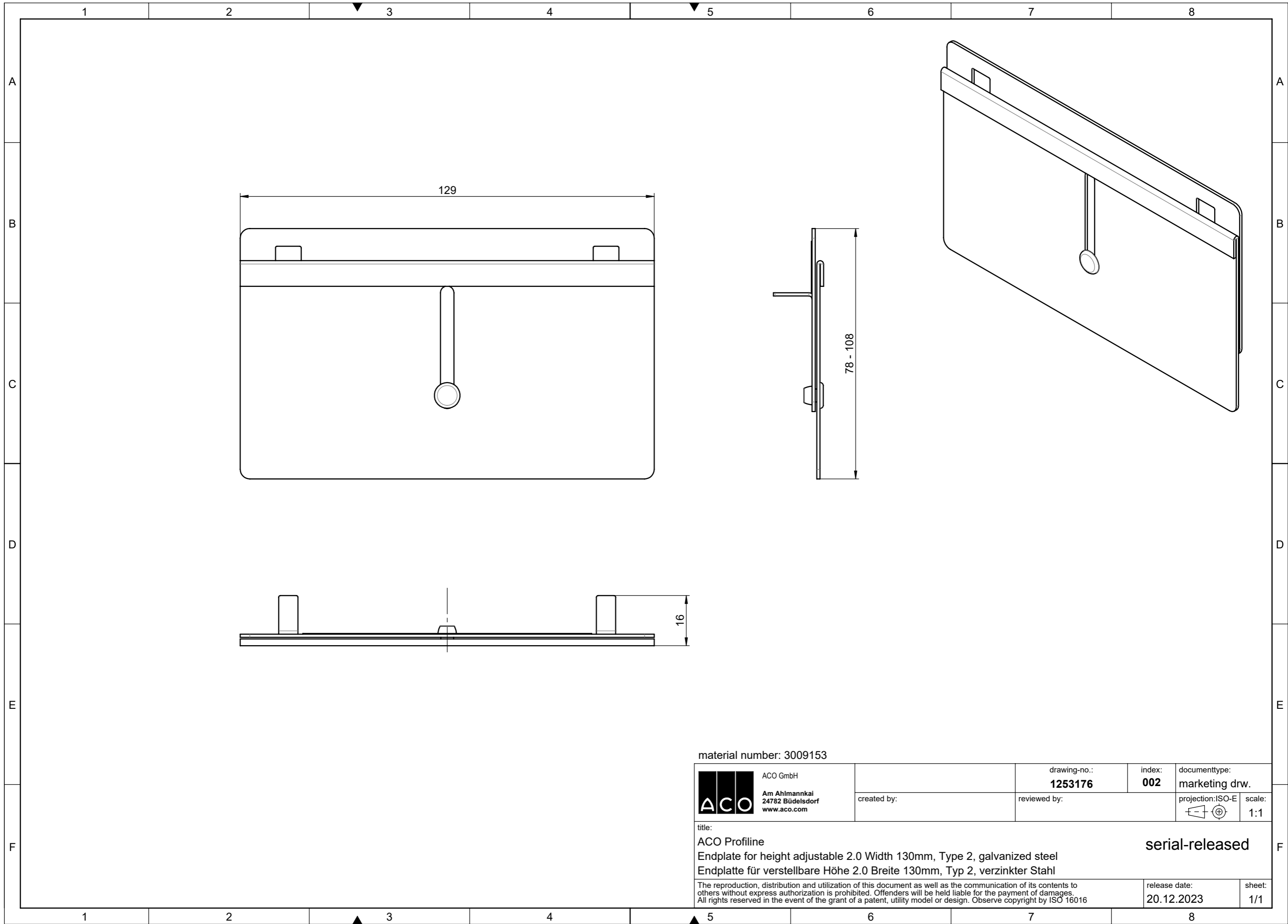
1 2 3 4 5 6 7 8




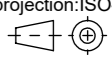
material number: 3009144

 ACO GmbH Am Ahlmannkai 24782 Büdelsdorf www.aco.com	drawing-no.: 1256581	index: 002	documenttype: marketing drw.	
	created by:	reviewed by:	projection: ISO-E 	scale: 1:1
title: ACO Proffline Endplate for height adjustable 2.0 Width 100mm, Type 2, galvanized steel Endplatte für verstellbare Höhe 2.0 Breite 100mm, Typ 2, verzinkter Stahl			serial-released	
<small>The reproduction, distribution and utilization of this document as well as the communication of its contents to others without express authorization is prohibited. Offenders will be held liable for the payment of damages. All rights reserved in the event of the grant of a patent, utility model or design. Observe copyright by ISO 16016</small>			release date: 20.12.2023	sheet: 1/1

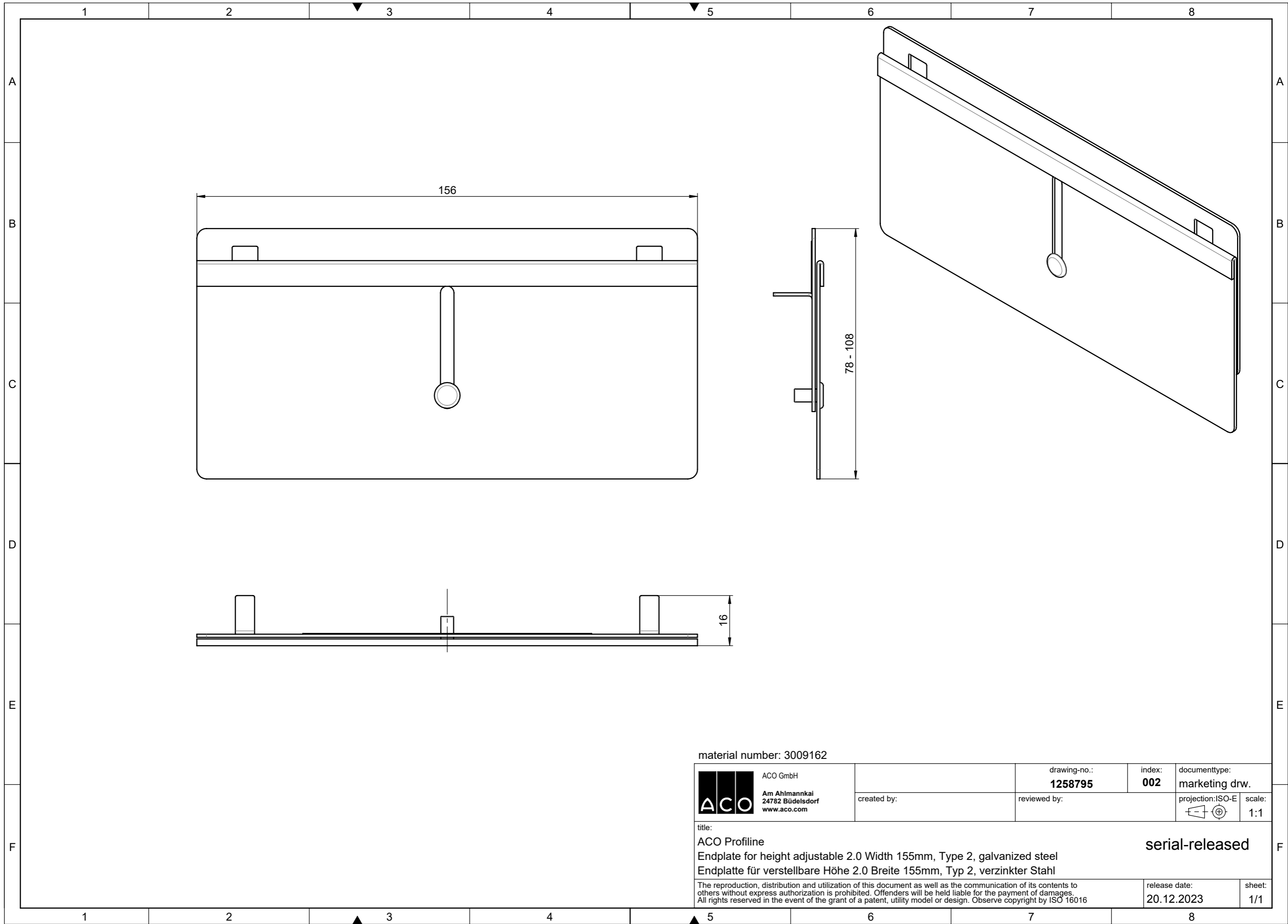
S:\projekte\2019\001_A3_Vertrieb\22



material number: 3009153

 ACO GmbH Am Ahlmannkai 24782 Büdelsdorf www.aco.com	drawing-no.: 1253176	index: 002	documenttype: marketing drw.
	created by:	reviewed by:	projection: ISO-E 
title: ACO Proffline Endplate for height adjustable 2.0 Width 130mm, Type 2, galvanized steel Endplatte für verstellbare Höhe 2.0 Breite 130mm, Typ 2, verzinkter Stahl			serial-released
<small>The reproduction, distribution and utilization of this document as well as the communication of its contents to others without express authorization is prohibited. Offenders will be held liable for the payment of damages. All rights reserved in the event of the grant of a patent, utility model or design. Observe copyright by ISO 16016</small>			release date: 20.12.2023
			sheet: 1/1

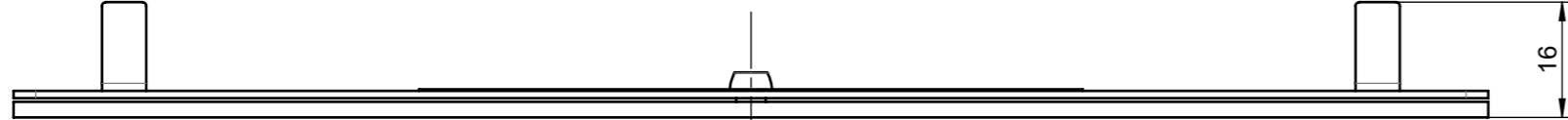
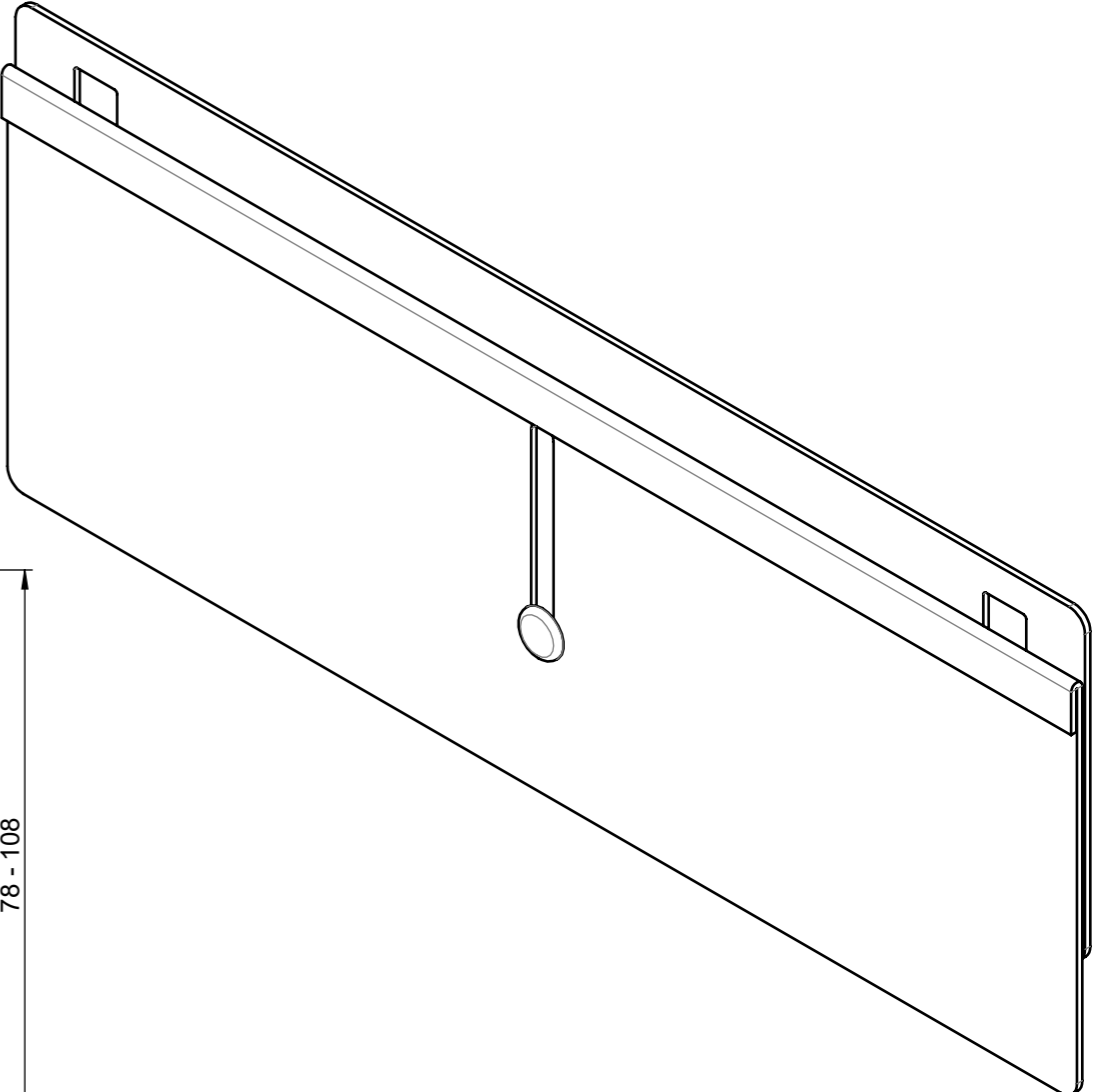
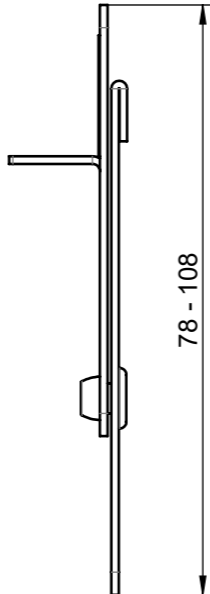
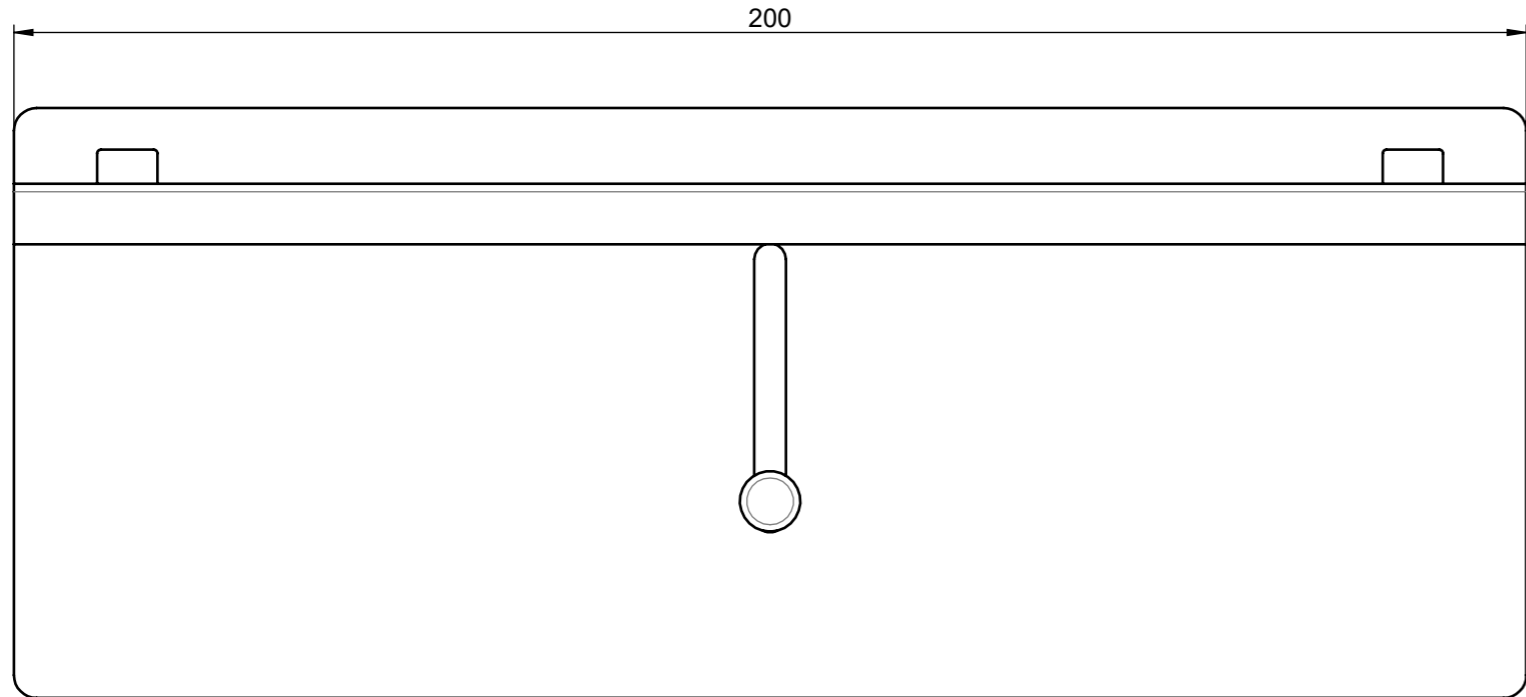
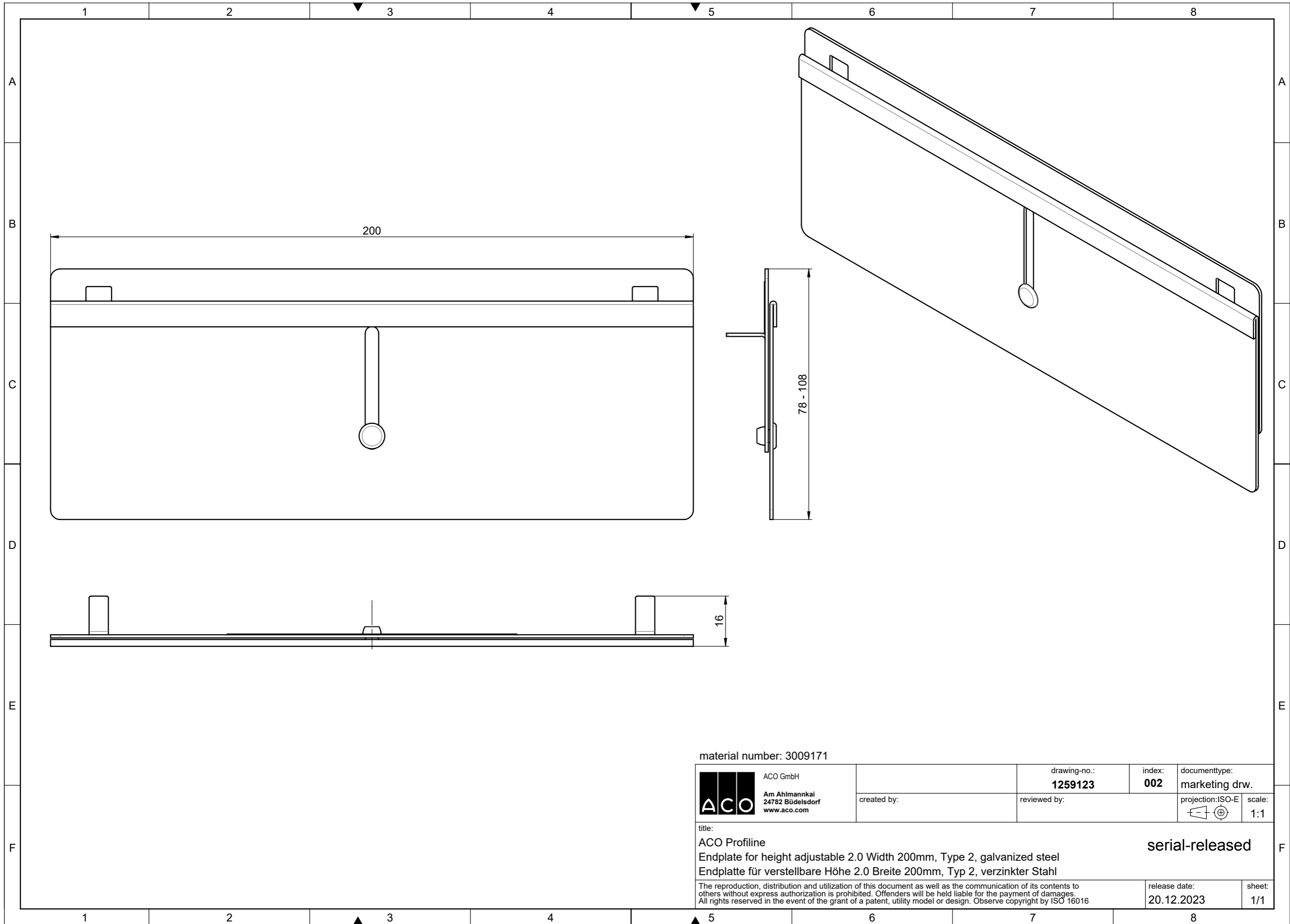
S:\projekte\2019\001_A3_Verstell_22




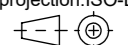
material number: 3009162

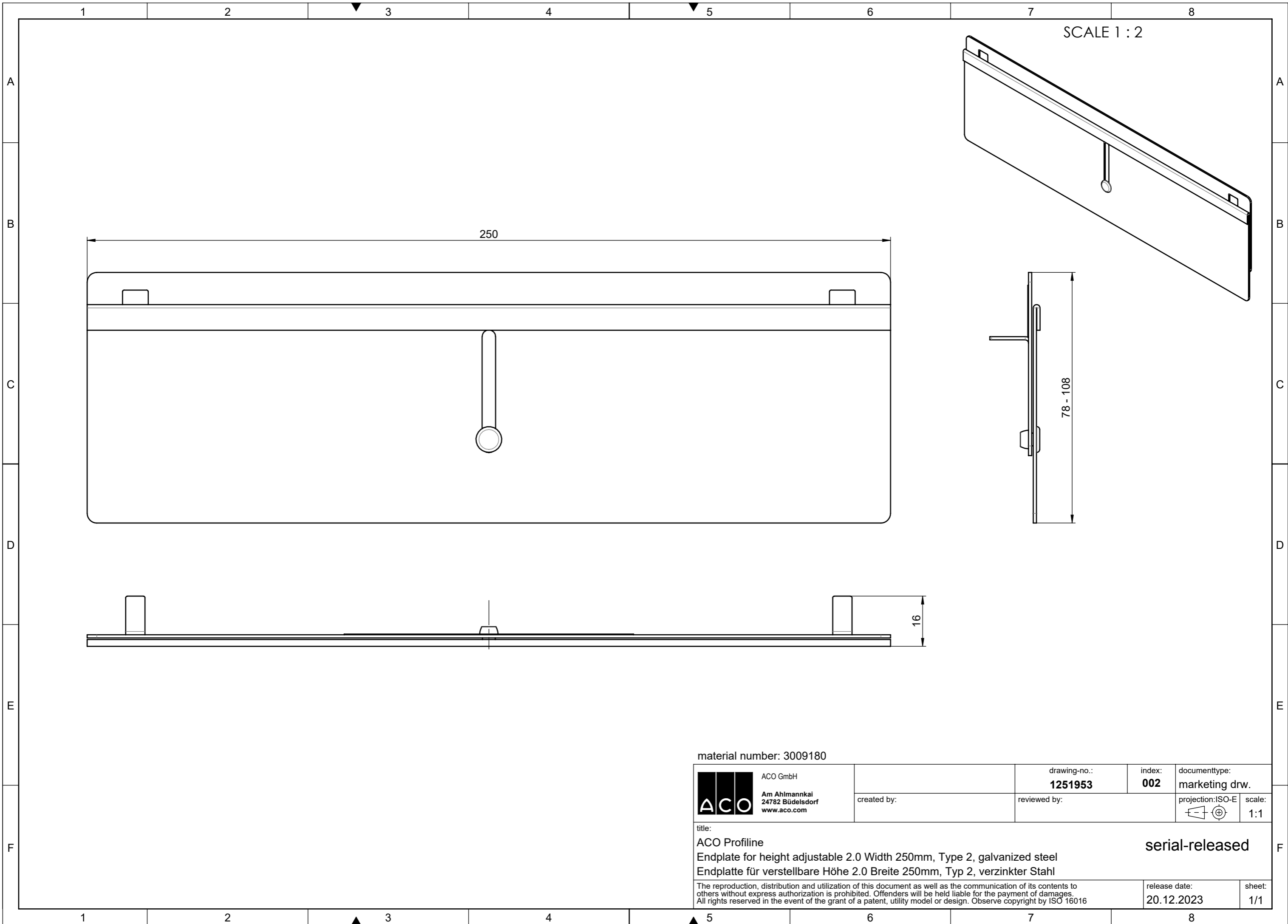
ACO GmbH Am Ahlmannkai 24782 Büdelsdorf www.aco.com	drawing-no.: 1258795	index: 002	documenttype: marketing drw.	
	created by:	reviewed by:	projection: ISO-E 	scale: 1:1
title: ACO Proffline Endplate for height adjustable 2.0 Width 155mm, Type 2, galvanized steel Endplatte für verstellbare Höhe 2.0 Breite 155mm, Typ 2, verzinkter Stahl			serial-released	
<small>The reproduction, distribution and utilization of this document as well as the communication of its contents to others without express authorization is prohibited. Offenders will be held liable for the payment of damages. All rights reserved in the event of the grant of a patent, utility model or design. Observe copyright by ISO 16016</small>			release date: 20.12.2023	sheet: 1/1

S:\projekte\2019\001_A3_Verstellb.22



material number: 3009171

 ACO GmbH Am Ahlmannkai 24782 Büdelsdorf www.aco.com	drawing-no.: 1259123	index: 002	documenttype: marketing drw.	
	created by:	reviewed by:	projection: ISO-E 	scale: 1:1
title: ACO Proffline Endplate for height adjustable 2.0 Width 200mm, Type 2, galvanized steel Endplatte für verstellbare Höhe 2.0 Breite 200mm, Typ 2, verzinkter Stahl			serial-released	
<small>The reproduction, distribution and utilization of this document as well as the communication of its contents to others without express authorization is prohibited. Offenders will be held liable for the payment of damages. All rights reserved in the event of the grant of a patent, utility model or design. Observe copyright by ISO 16016</small>			release date: 20.12.2023	sheet: 1/1




SCALE 1 : 2

250

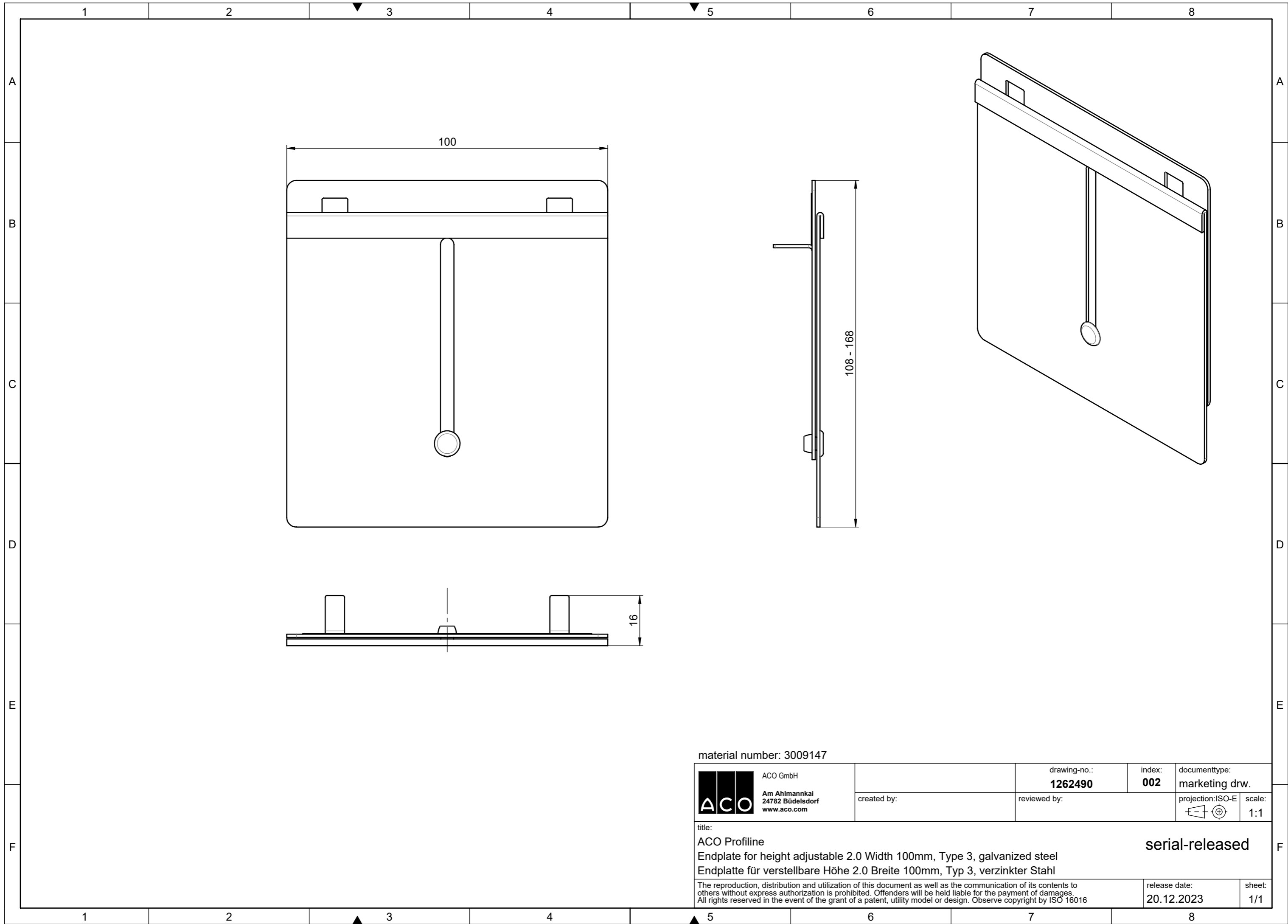
16

78 - 108


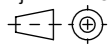
material number: 3009180

 ACO ACO GmbH Am Ahlmannkai 24782 Būdelsdorf www.aco.com	created by:	drawing-no.: 1251953	index: 002	documenttype: marketing drw.
	reviewed by:	projection:ISO-E	scale: 1:1	serial-released
title: ACO Proffline Endplate for height adjustable 2.0 Width 250mm, Type 2, galvanized steel Endplatte für verstellbare Höhe 2.0 Breite 250mm, Typ 2, verzinkter Stahl		release date: 20.12.2023	sheet: 1/1	
The reproduction, distribution and utilization of this document as well as the communication of its contents to others without express authorization is prohibited. Offenders will be held liable for the payment of damages. All rights reserved in the event of the grant of a patent, utility model or design. Observe copyright by ISO 16016				

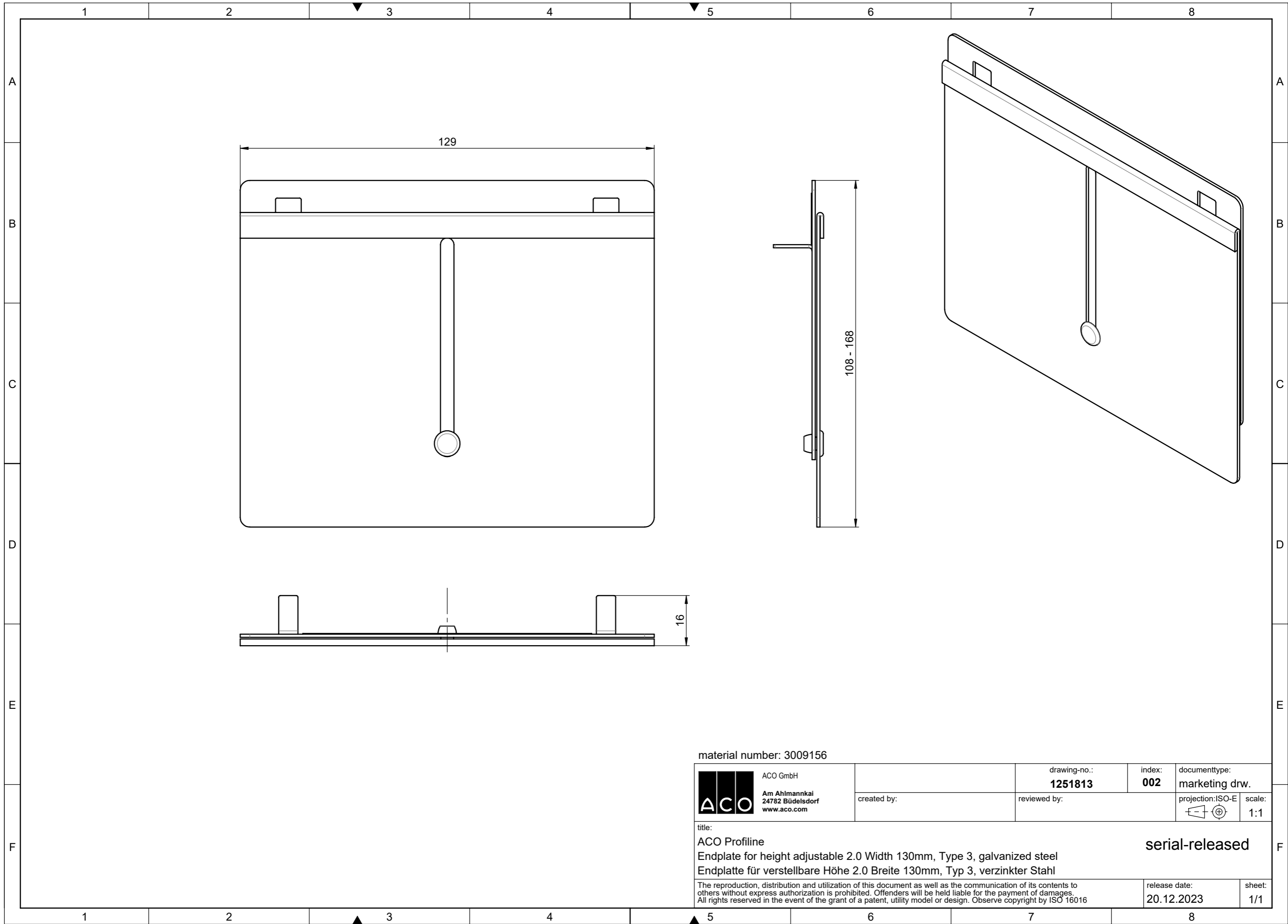
Siemens 2019-DIN-A3-Verstoß 2.2




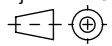
material number: 3009147

 ACO GmbH Am Ahlmannkai 24782 Büdelsdorf www.aco.com	drawing-no.: 1262490	index: 002	documenttype: marketing drw.
	created by:	reviewed by:	projection: ISO-E  scale: 1:1
title: ACO Proffline Endplate for height adjustable 2.0 Width 100mm, Type 3, galvanized steel Endplatte für verstellbare Höhe 2.0 Breite 100mm, Typ 3, verzinkter Stahl			serial-released
<small>The reproduction, distribution and utilization of this document as well as the communication of its contents to others without express authorization is prohibited. Offenders will be held liable for the payment of damages. All rights reserved in the event of the grant of a patent, utility model or design. Observe copyright by ISO 16016</small>			release date: 20.12.2023 sheet: 1/1

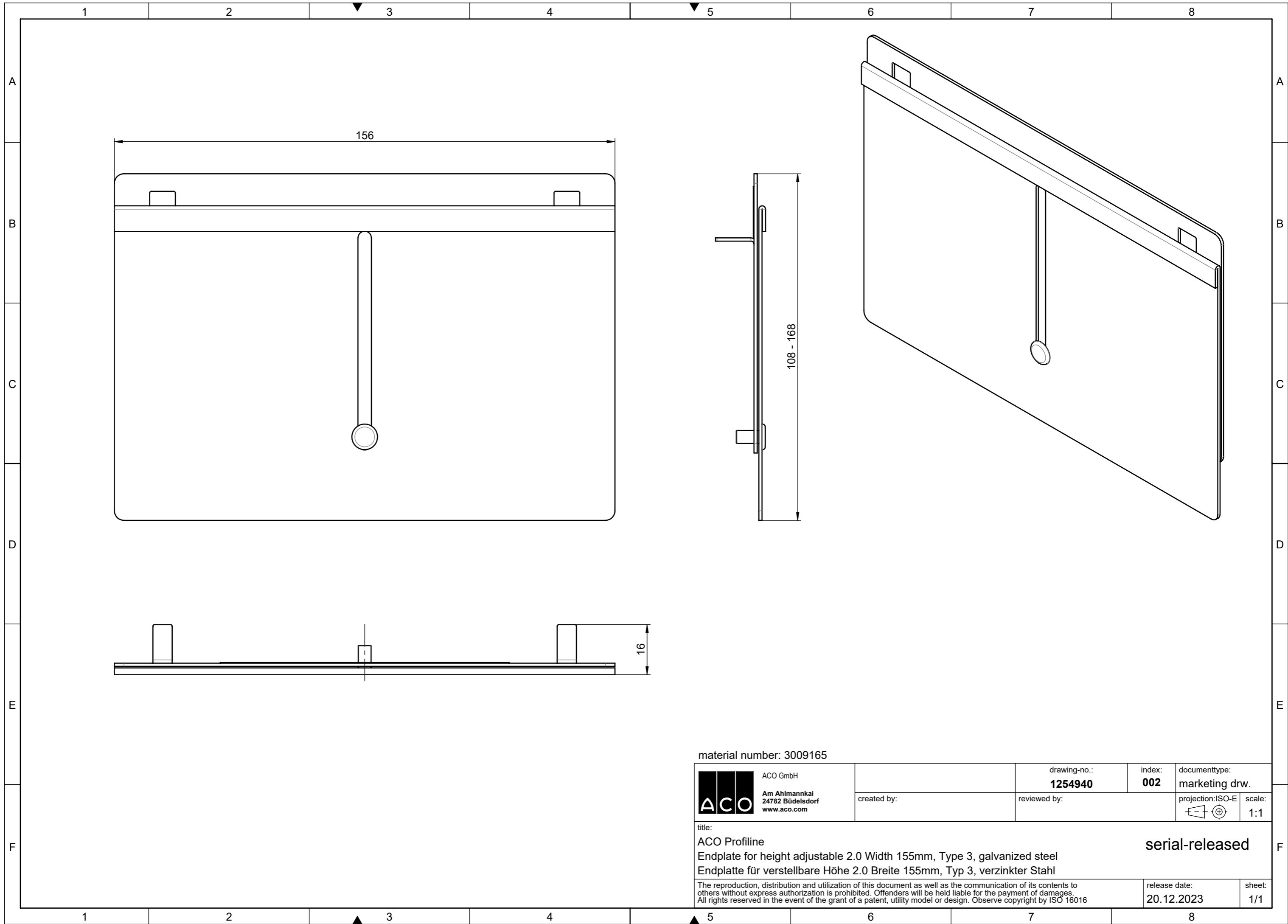
S:\projekte\2019\001_A3_Vertrieb\22




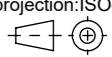
material number: 3009156

 ACO GmbH Am Ahlmannkai 24782 Büdelsdorf www.aco.com	drawing-no.: 1251813	index: 002	documenttype: marketing drw.
	created by:	reviewed by:	projection: ISO-E  scale: 1:1
title: ACO Proffline Endplate for height adjustable 2.0 Width 130mm, Type 3, galvanized steel Endplatte für verstellbare Höhe 2.0 Breite 130mm, Typ 3, verzinkter Stahl			serial-released
<small>The reproduction, distribution and utilization of this document as well as the communication of its contents to others without express authorization is prohibited. Offenders will be held liable for the payment of damages. All rights reserved in the event of the grant of a patent, utility model or design. Observe copyright by ISO 16016</small>			release date: 20.12.2023 sheet: 1/1

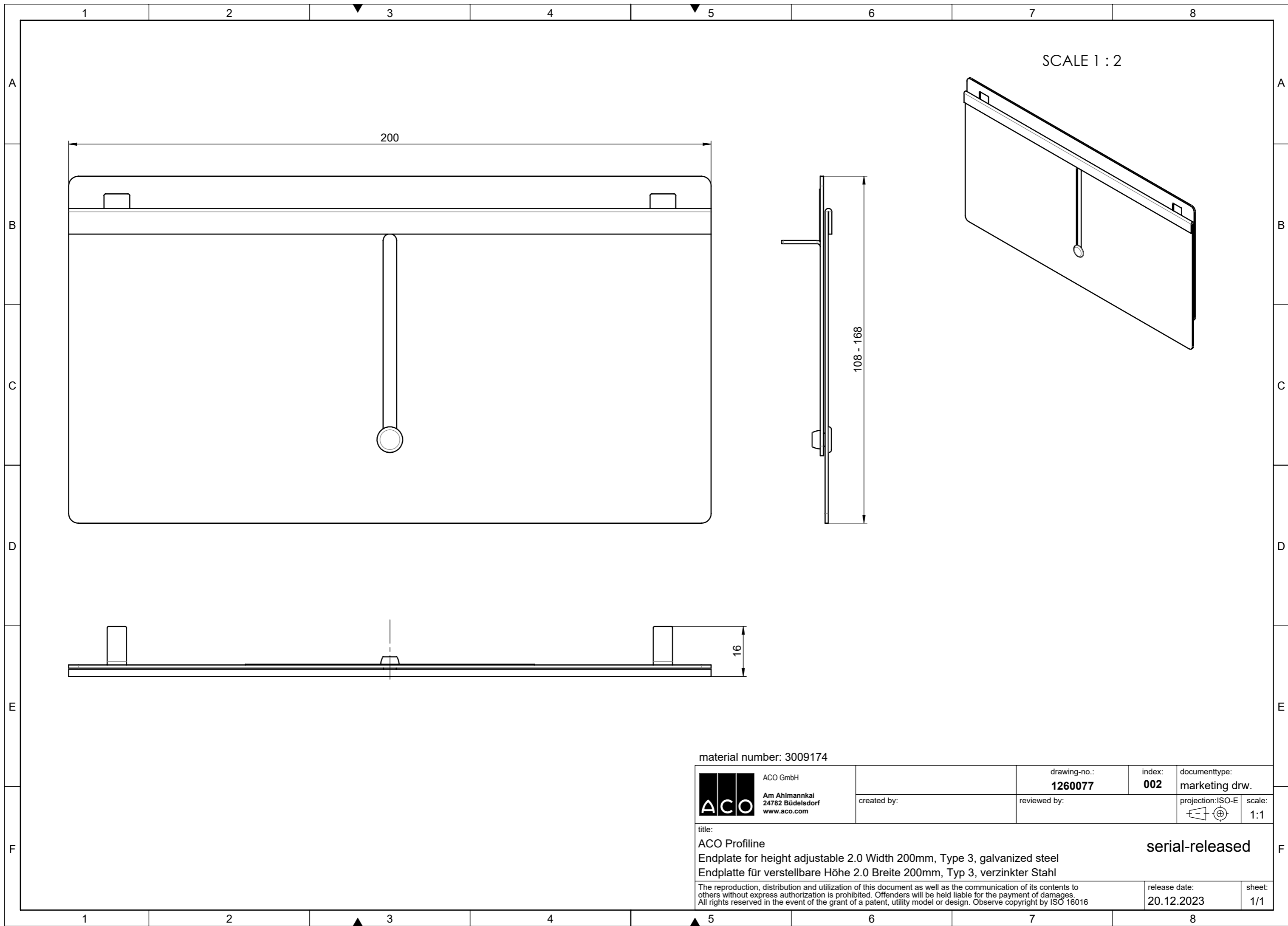
S:\projekte\2019\001_A3_Vertrieb\22




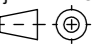
material number: 3009165

 ACO GmbH Am Ahlmannkai 24782 Büdelsdorf www.aco.com	drawing-no.: 1254940	index: 002	documenttype: marketing drw.	
	created by:	reviewed by:	projection: ISO-E 	scale: 1:1
title: ACO Proffline Endplate for height adjustable 2.0 Width 155mm, Type 3, galvanized steel Endplatte für verstellbare Höhe 2.0 Breite 155mm, Typ 3, verzinkter Stahl			serial-released	
<small>The reproduction, distribution and utilization of this document as well as the communication of its contents to others without express authorization is prohibited. Offenders will be held liable for the payment of damages. All rights reserved in the event of the grant of a patent, utility model or design. Observe copyright by ISO 16016</small>			release date: 20.12.2023	sheet: 1/1

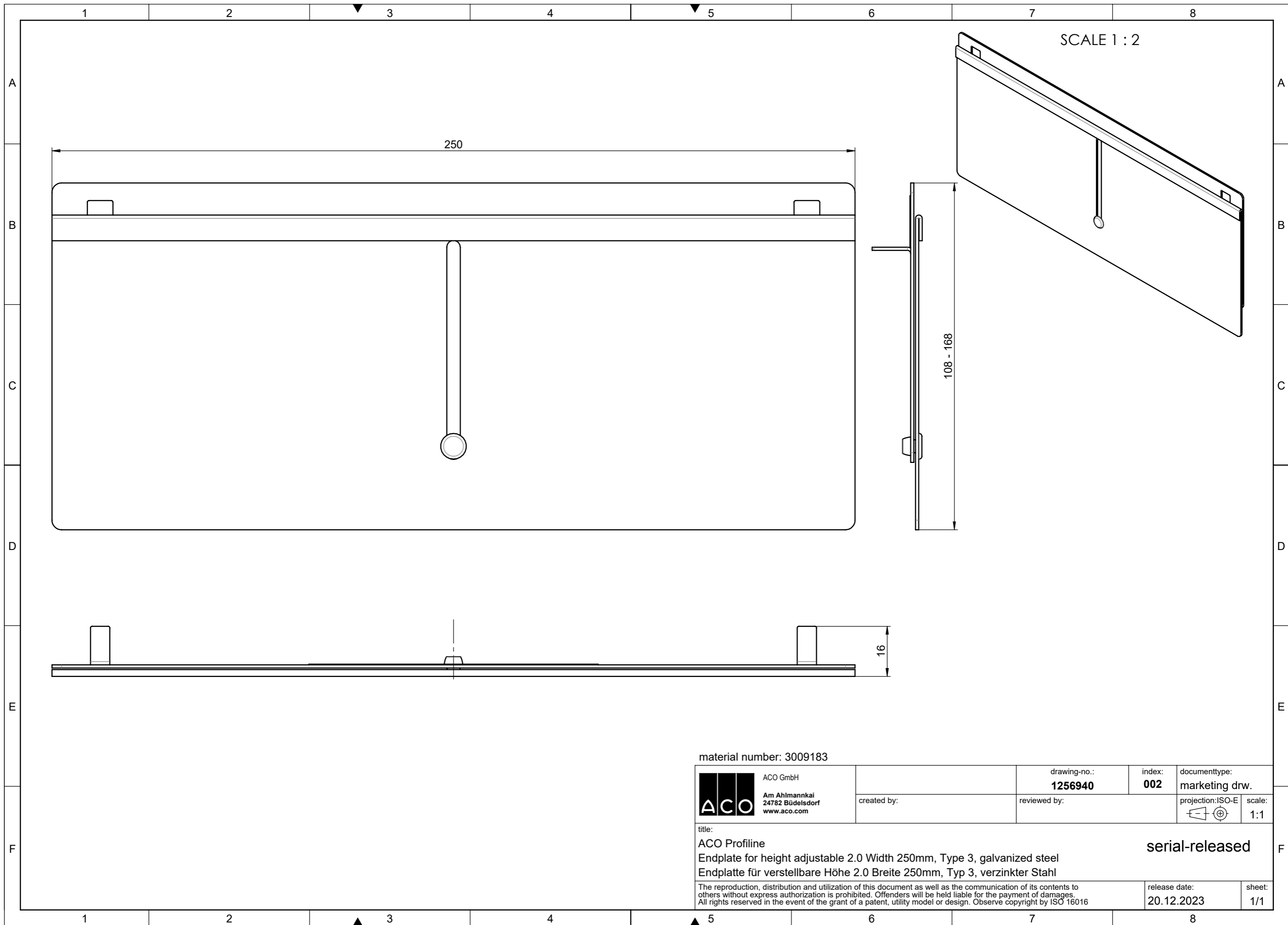
S:\projekte\2019\001_A3_Verstell 22




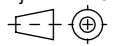
material number: 3009174

 ACO GmbH Am Ahlmannkai 24782 Büdelsdorf www.aco.com	drawing-no.: 1260077	index: 002	documenttype: marketing drw.
	created by:	reviewed by:	projection: ISO-E  scale: 1:1
title: ACO Proffline Endplate for height adjustable 2.0 Width 200mm, Type 3, galvanized steel Endplatte für verstellbare Höhe 2.0 Breite 200mm, Typ 3, verzinkter Stahl			serial-released
<small>The reproduction, distribution and utilization of this document as well as the communication of its contents to others without express authorization is prohibited. Offenders will be held liable for the payment of damages. All rights reserved in the event of the grant of a patent, utility model or design. Observe copyright by ISO 16016</small>			release date: 20.12.2023 sheet: 1/1

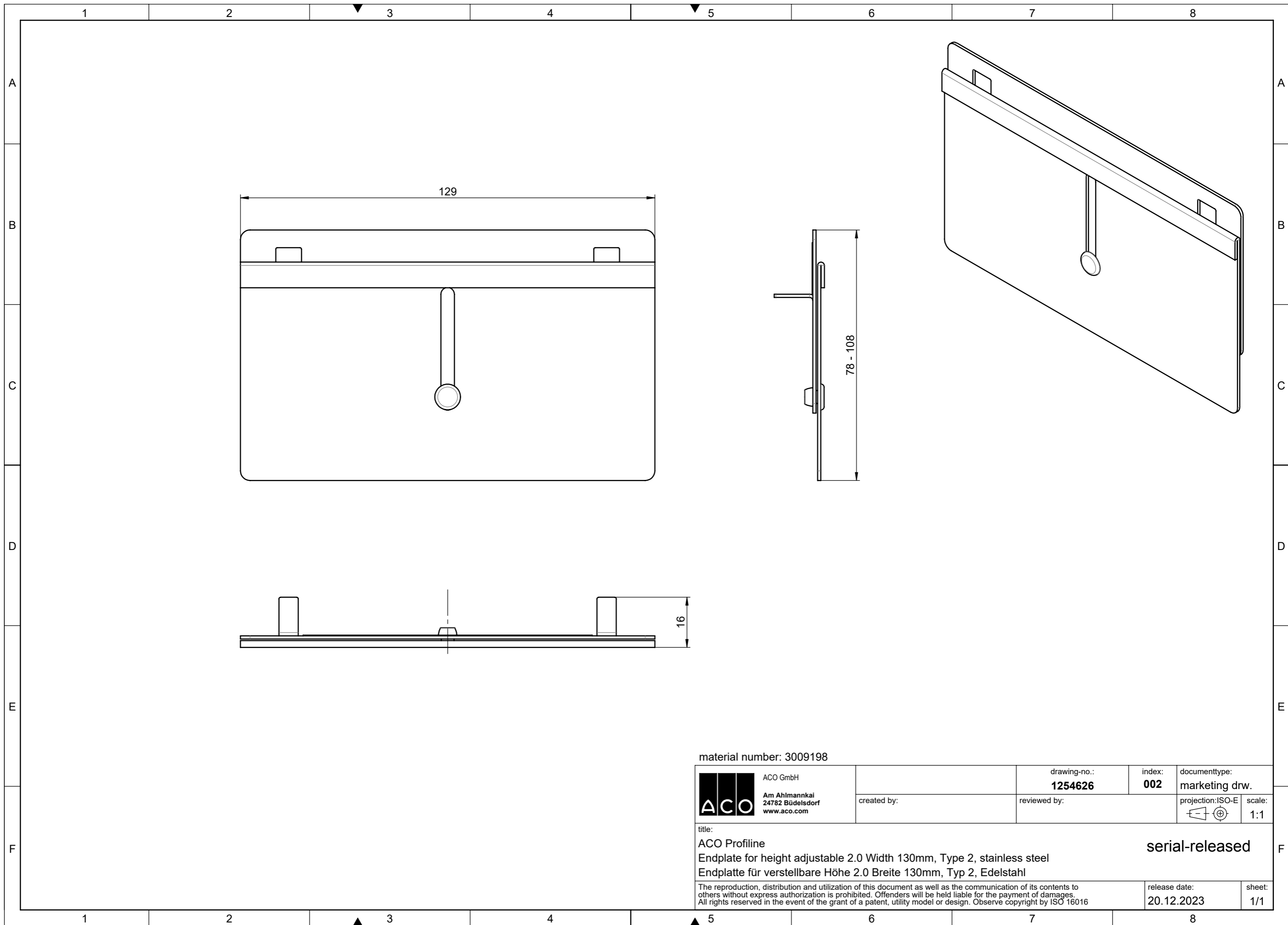
S:\projekte\2019\001_A3_Verstell_22




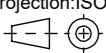
material number: 3009183

 ACO GmbH Am Ahlmannkai 24782 Büdelsdorf www.aco.com	drawing-no.: 1256940	index: 002	documenttype: marketing drw.
	created by:	reviewed by:	projection: ISO-E 
title: ACO Proffline Endplate for height adjustable 2.0 Width 250mm, Type 3, galvanized steel Endplatte für verstellbare Höhe 2.0 Breite 250mm, Typ 3, verzinkter Stahl			serial-released
<small>The reproduction, distribution and utilization of this document as well as the communication of its contents to others without express authorization is prohibited. Offenders will be held liable for the payment of damages. All rights reserved in the event of the grant of a patent, utility model or design. Observe copyright by ISO 16016</small>			release date: 20.12.2023
			sheet: 1/1

S:\projekte\2019\001_A3_Versuch22



material number: 3009198

 ACO GmbH Am Ahlmannkai 24782 Büdelsdorf www.aco.com	drawing-no.: 1254626	index: 002	documenttype: marketing drw.
	created by:	reviewed by:	projection: ISO-E  scale: 1:1
title: ACO Proflin Endplate for height adjustable 2.0 Width 130mm, Type 2, stainless steel Endplatte für verstellbare Höhe 2.0 Breite 130mm, Typ 2, Edelstahl			serial-released
The reproduction, distribution and utilization of this document as well as the communication of its contents to others without express authorization is prohibited. Offenders will be held liable for the payment of damages. All rights reserved in the event of the grant of a patent, utility model or design. Observe copyright by ISO 16016		release date: 20.12.2023	sheet: 1/1