
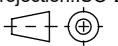
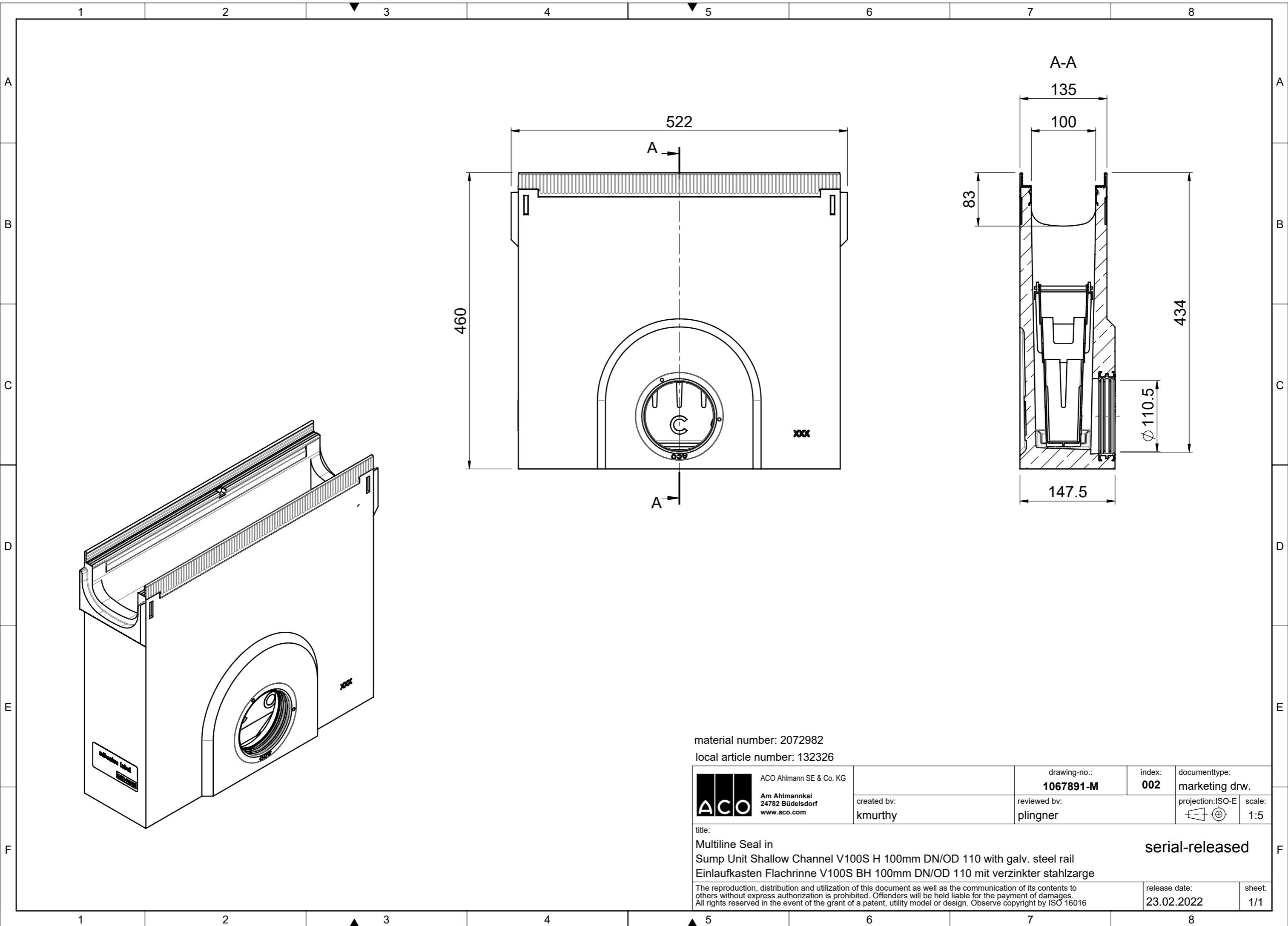



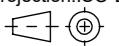
material number: 2072981

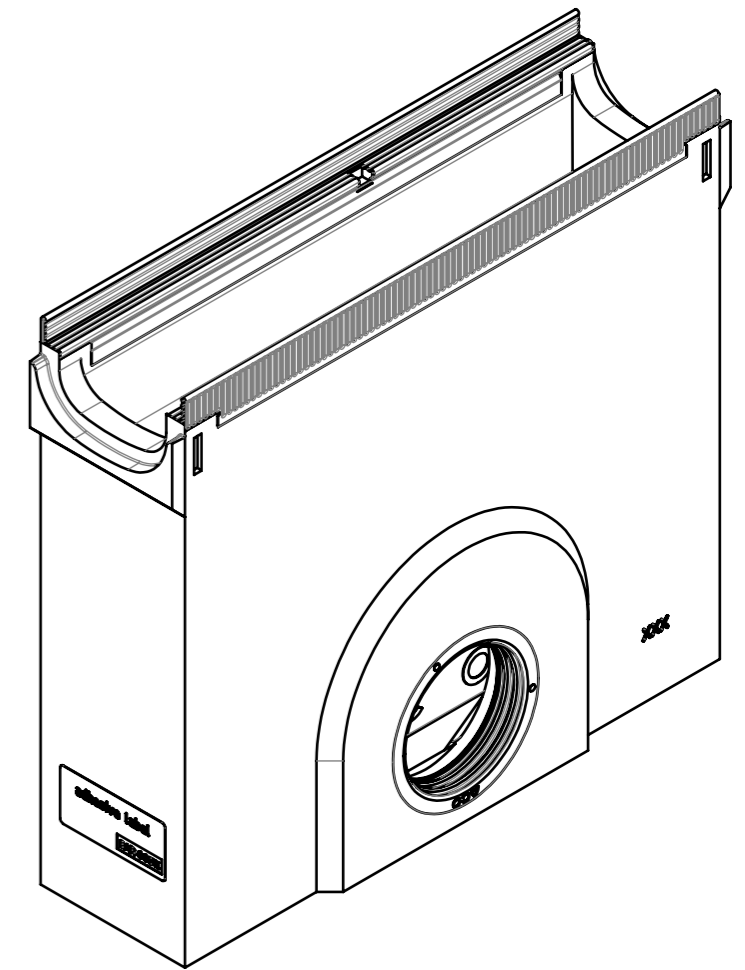
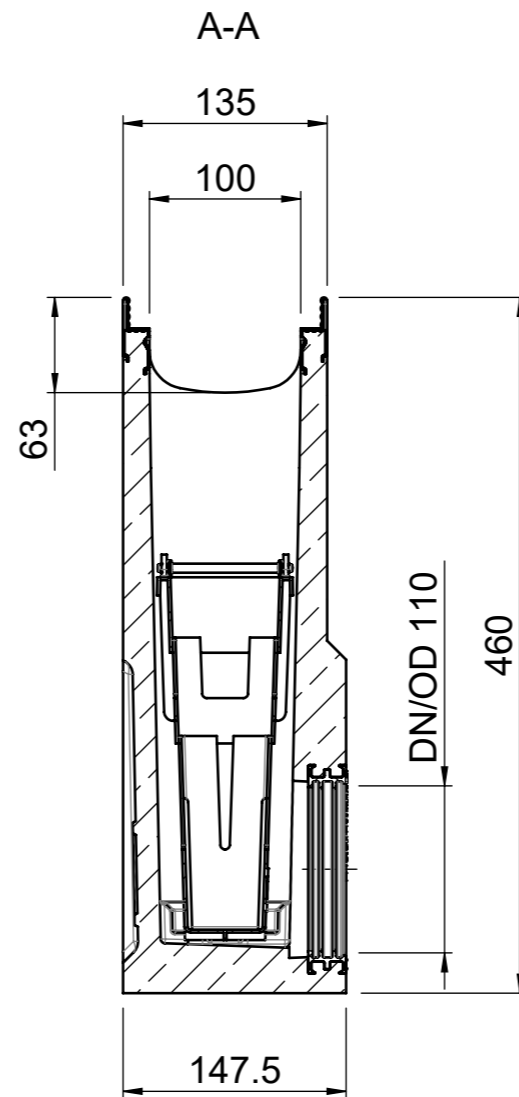
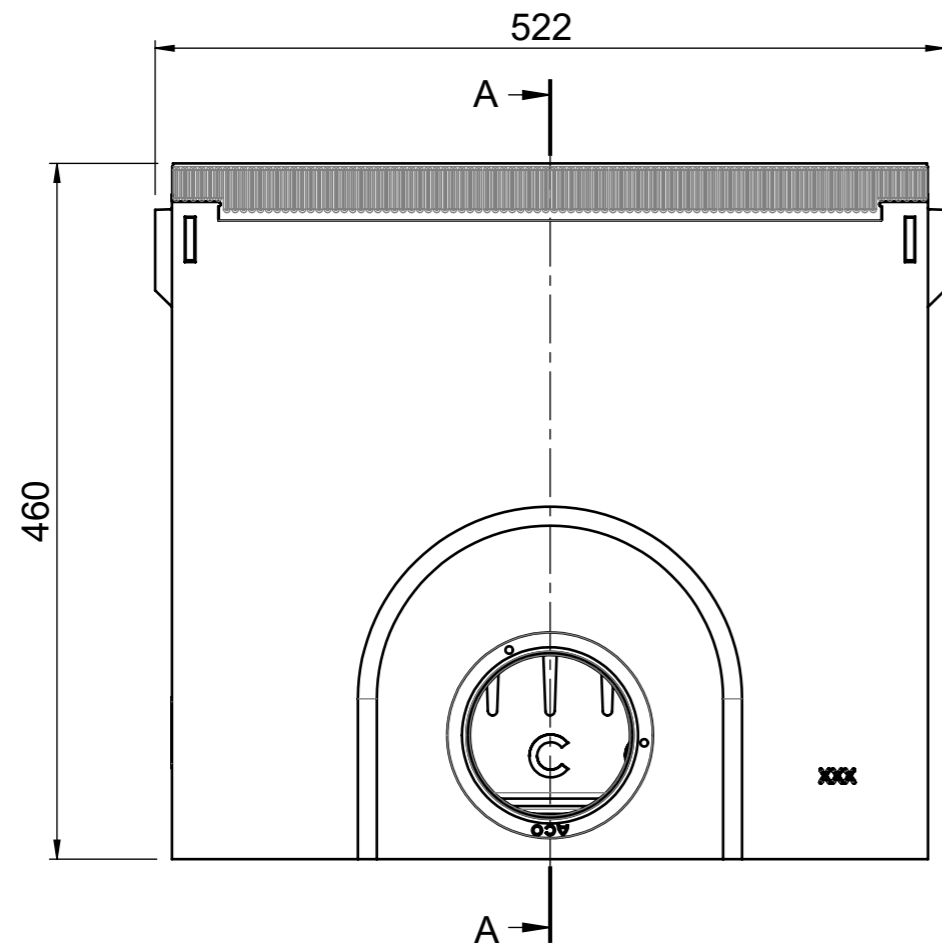
local article number: 132325

 ACO Ahlmann SE & Co. KG Am Ahlmannkai 24782 Büdelsdorf www.aco.com	drawing-no.: <b>1067892-M</b>	index: <b>002</b>	documenttype: marketing drw.
	created by: kmurthy	reviewed by: plingner	projection: ISO-E 
title: <b>Multiline Seal in Sump Unit Shallow Channel V100S H 80mm DN/OD 110 with galv. steel rail</b> <b>Einlaufkasten Flachrinne V100S BH 80mm DN/OD 110 mit verzinkter stahlzarge</b>			<b>serial-released</b>
<small>The reproduction, distribution and utilization of this document as well as the communication of its contents to others without express authorization is prohibited. Offenders will be held liable for the payment of damages. All rights reserved in the event of the grant of a patent, utility model or design. Observe copyright by ISO 16016</small>			release date: <b>23.02.2022</b>
			sheet: <b>1/1</b>


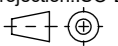


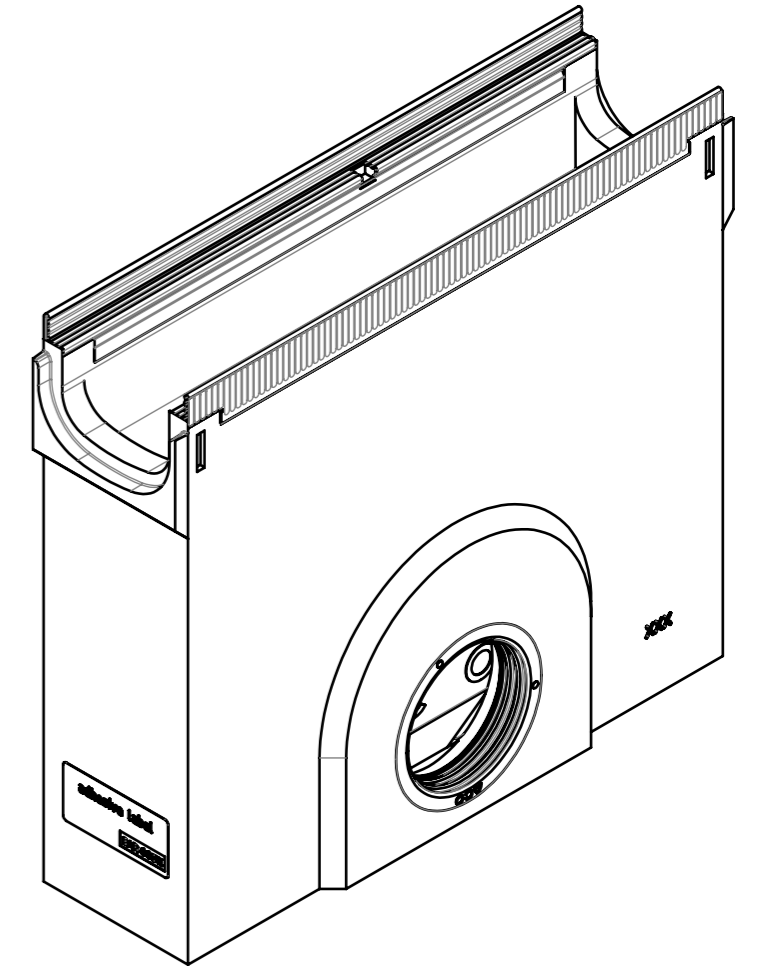
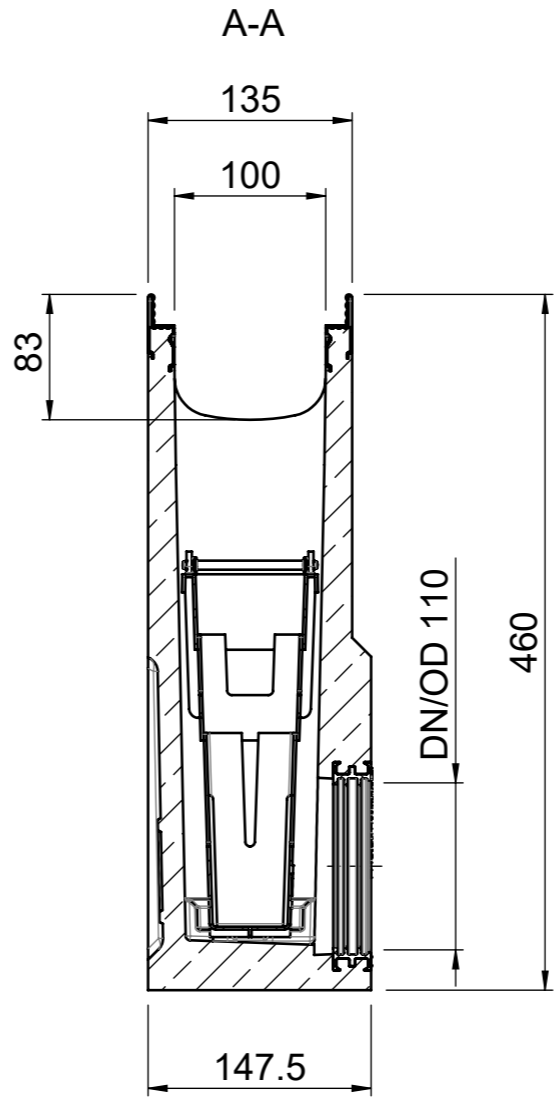
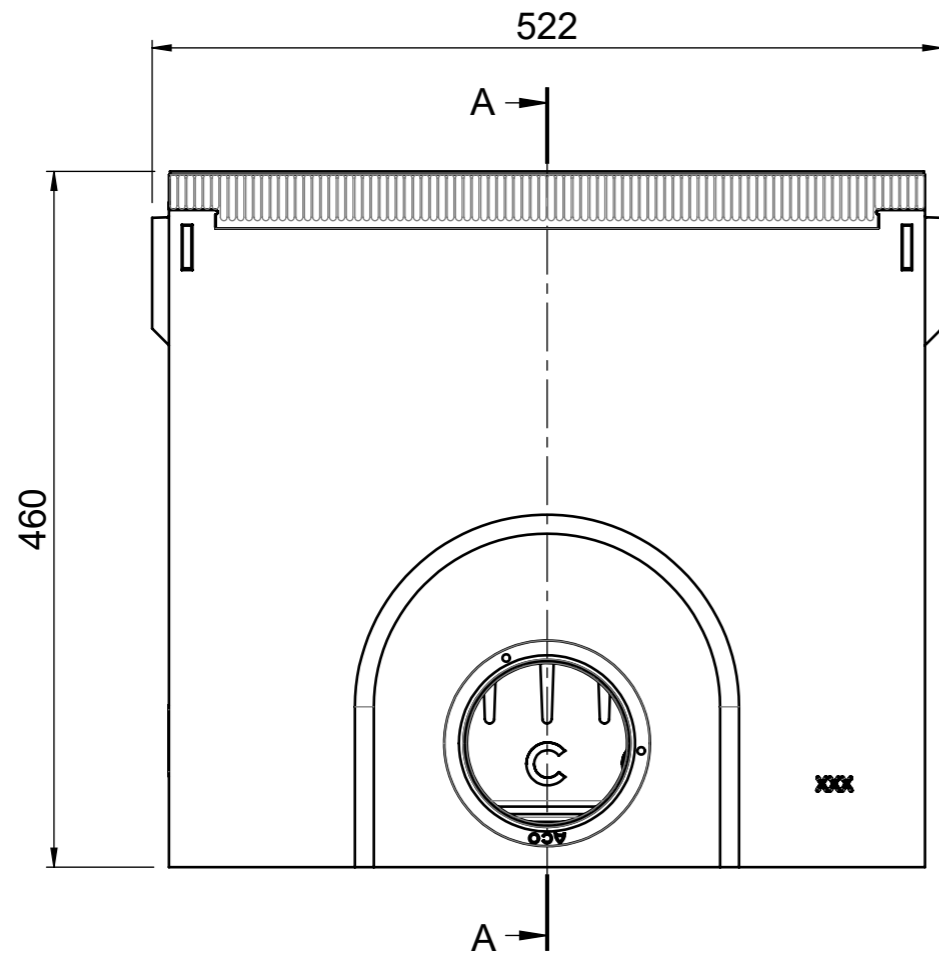
material number: 2072982  
 local article number: 132326

 ACO Ahlmann SE & Co. KG Am Ahlmannkai 24782 Büdelsdorf www.aco.com	drawing-no.: <b>1067891-M</b>	index: <b>002</b>	documenttype: marketing drw.
	created by: kmurthy	reviewed by: plingner	projection: ISO-E 
title: <b>Multiline Seal in          Sump Unit Shallow Channel V100S H 100mm DN/OD 110 with galv. steel rail          Einlaufkasten Flachrinne V100S BH 100mm DN/OD 110 mit verzinkter stahlzarge</b>			<b>serial-released</b>
<small>The reproduction, distribution and utilization of this document as well as the communication of its contents to others without express authorization is prohibited. Offenders will be held liable for the payment of damages. All rights reserved in the event of the grant of a patent, utility model or design. Observe copyright by ISO 16016</small>			release date: <b>23.02.2022</b>
			sheet: <b>1/1</b>


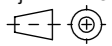


material number: 3003547  
local article number: 132425

 ACO Ahlmann SE & Co. KG Am Ahlmannkai 24782 Büdelsdorf www.aco.com	drawing-no.: <b>1081824-M</b>	index: <b>002</b>	documenttype: marketing drw.
	created by: kmurthy	reviewed by: plingner	projection: ISO-E 
title: Multiline Seal in Sump Unit Shallow Channel V100E H 80mm DN/OD 110 with stainless steel rail Einlaufkasten Flachrinne V100E H 80mm DN/OD 110 mit Edelstahlzarge			serial-released
The reproduction, distribution and utilization of this document as well as the communication of its contents to others without express authorization is prohibited. Offenders will be held liable for the payment of damages. All rights reserved in the event of the grant of a patent, utility model or design. Observe copyright by ISO 16016			release date: 31.03.2022
			sheet: 1/1



material number: 3003548  
 local article number: 132426

 ACO Ahlmann SE & Co. KG Am Ahlmannkai 24782 Büdelsdorf www.aco.com	drawing-no.: <b>1081825-M</b>	index: <b>002</b>	documenttype: marketing drw.
	created by: kmurthy	reviewed by: plingner	projection: ISO-E 
title: Multiline Seal in Sump Unit Shallow Channel V100E H 100mm DN/OD 110 with stainless steel rail Einlaufkasten Flachrinne V100E H 100mm DN/OD 110 mit Edelstahlzarge			serial-released
The reproduction, distribution and utilization of this document as well as the communication of its contents to others without express authorization is prohibited. Offenders will be held liable for the payment of damages. All rights reserved in the event of the grant of a patent, utility model or design. Observe copyright by ISO 16016			release date: 31.03.2022
			sheet: 1/1